

## Features

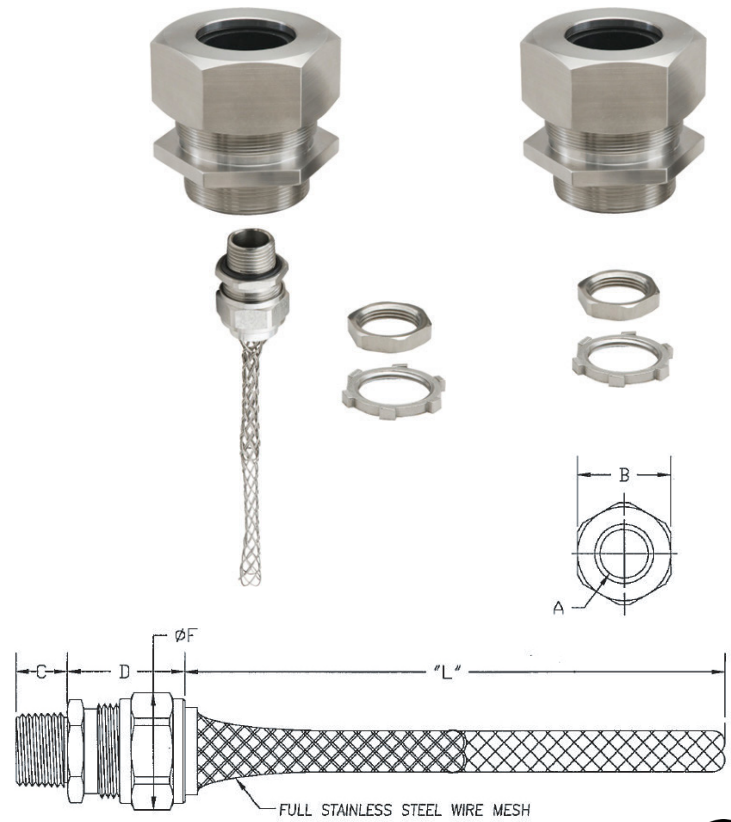
- Manufactured in type 304 stainless steel
- Provides exceptional tensile strength and high levels of durability in harsh/corrosive environments
- Polished with standard “brite” finish to increase corrosion resistance and aesthetic appearance
- Neoprene Bushing - Durometer 55 +/- 5
- All connectors include an embedded Buna-A O-Ring
- All connectors include a stainless steel locknut
- No package quantity required

## Certifications and Compliances

- UL 514D Listed
- CSA C22.2 No. 18.3-13 Listed
- NEMA 4X Approved

## Applications

Stainless Cord Grips completely eliminate pull tension on terminals, control cable arc-of-bend, prevent cord pull-out, and provide a liquid-tight seal. All connectors can be ordered with or without wire mesh attachments and accommodate conduit sizes from ½” to 2”.



Part Number (without Mesh)	Part Number (with Mesh)	Trade Size (in)	Cable Range (in)
S40501GR00	*	½	0.125 - 0.188
S40502GR00	S40502GRWM	½	0.188 - 0.250
S40503GR00	S40503GRWM	½	0.250 - 0.312
S40504GR00	S40504GRWM	½	0.312 - 0.375
S40505GR00	S40505GRWM	½	0.375 - 0.438
S40506GR00	S40506GRWM	½	0.438 - 0.500
S40507GR00	S40507GRWM	½	0.500 - 0.562
S40508GR00	S40508GRWM	½	0.562 - 0.625
S40701GR00	S40701GRWM	¾	0.438 - 0.500
S40702GR00	S40702GRWM	¾	0.500 - 0.562
S40703GR00	S40703GRWM	¾	0.562 - 0.625
S40704GR00	S40704GRWM	¾	0.562 - 0.688
S40705GR00	S40705GRWM	¾	0.625 - 0.750
S40706GR00	S40706GRWM	¾	0.688 - 0.812
S41002GR00	S41002GRWM	1	0.500 - 0.562
S41003GR00	S41003GRWM	1	0.562 - 0.625
S41004GR00	S41004GRWM	1	0.562 - 0.688
S41005GR00	S41005GRWM	1	0.625 - 0.750
S41006GR00	S41006GRWM	1	0.688 - 0.812

All dimensions are for informational purposes only  
Tolerances +/- 2.5%

Table Continued on Next Page

Part Number (without Mesh)	Part Number (with Mesh)	Trade Size (in)	Cable Range (in)
S41007GR00	S41007GRWM	1	0.750 - 0.875
S41008GR00	S41008GRWM	1	0.812 - 0.938
S41009GR00	S41009GRWM	1	0.875 - 1.000
S41201GR00	*	1 ¼	0.562 - 0.688
S41202GR00	*	1 ¼	0.688 - 0.812
S41203GR00	S41203GRWM	1 ¼	0.750 - 0.875
S41204GR00	S41204GRWM	1 ¼	0.875 - 1.000
S41205GR00	S41205GRWM	1 ¼	1.000 - 1.125
S41206GR00	S41206GRWM	1 ¼	1.125 - 1.250
S41207GR00	S41207GRWM	1 ¼	1.250 - 1.375
S41501GR00	*	1 ½	0.562 - 0.688
S41502GR00	*	1 ½	0.688 - 0.812
S41503GR00	S41503GRWM	1 ½	0.750 - 0.875
S41504GR00	S41504GRWM	1 ½	0.875 - 1.000
S41505GR00	S41505GRWM	1 ½	1.000 - 1.125
S41506GR00	S41506GRWM	1 ½	1.125 - 1.250
S41507GR00	S41507GRWM	1 ½	1.250 - 1.375
S42001GR00	S42001GRWM	2	1.250 - 1.375
S42002GR00	S42002GRWM	2	1.438 - 1.562
S42003GR00	S42003GRWM	2	1.562 - 1.688
S42004GR00	S42004GRWM	2	1.688 - 1.812
S42005GR00	S42005GRWM	2	1.812 - 1.938
S42006GR00	S42006GRWM	2	1.938 - 2.062
S42007GR00	S42007GRWM	2	2.062 - 2.188
S42008GR00	S42008GRWM	2	2.188 - 2.312
S42009GR00	S42009GRWM	2	2.312 - 2.438

All dimensions are for informational purposes only  
Tolerances +/- 2.5%