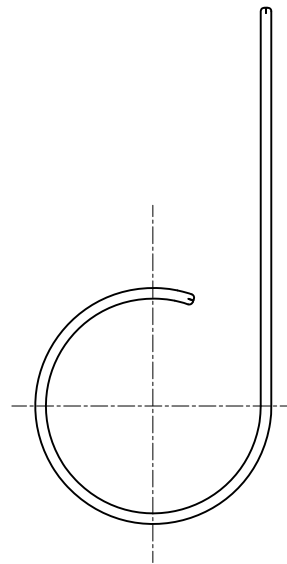
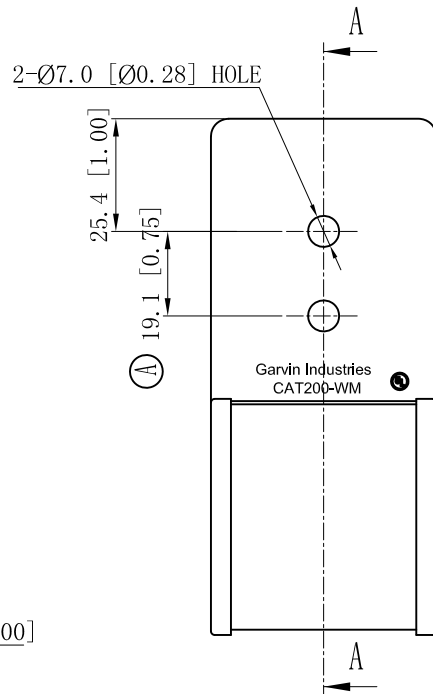
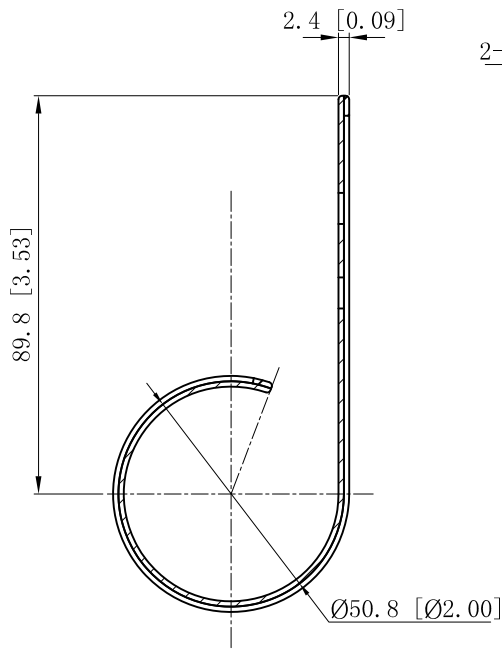
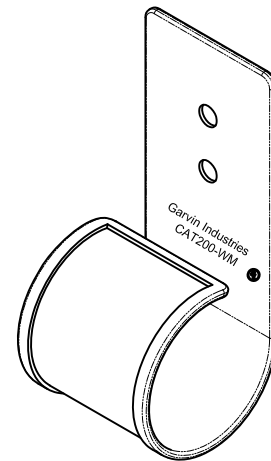
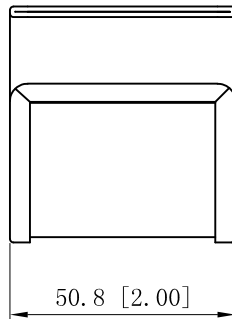


SIDES	BOTTOM
Material: Steel-0.047"-Galvanized	



CUTAWAY VIEW A-A

This data sheet is for reference only .GARVIN INDUSTRIES reserves the right to make changes to the design without prior notice.

DESCRIPTION
TRADE REFERENCE TERMS

STANDARD PACKING	<b>GARVIN INDUSTRIES</b>		
	TITLE CAT WIRE RINGS		
	SIZE	DWG NO.	REV
	A4	CAT200-WM	C
DATA SHEET			
www.garvinindustries.com			