



6" IC NEW CONSTRUCTION HOUSING IC23 LEDT24



COMPATIBLE WITH

J6RL & J6RLE 600, 900 LUMEN SERIES,
J6RL (WD) & J6RLE (WD) SERIES,
6RLD SERIES

Project: _____

Fixture Type: _____

Location: _____

Contact/Phone: _____

PRODUCT DESCRIPTION

IC Air-Loc® New Construction Housing for use with Juno retrofit LED trim modules • Energy efficient, sealed housing • Can be completely covered with insulation • Fully sealed housing stops exfiltration of air, reducing heating and air cooling costs without the use of additional gaskets.

PRODUCT SPECIFICATIONS

Electrical Connections Features non-screw base 120V plug-in connector • Compatible with Juno retrofit LED trim modules

Labels U.L. listed for U.S. and Canada for through-branch wiring and damp locations • Meets high efficacy requirements of California T24

Testing All reports are based on published industry procedures; field performance may differ from laboratory performance.

Specifications subject to change without notice.

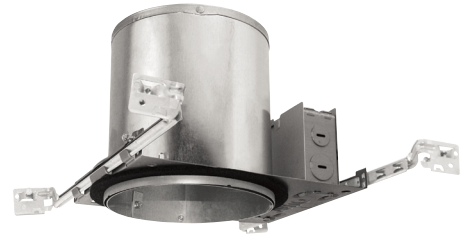
INSTALLATION

Real Nail 3 Bar Hangers Telescoping Real Nail® 3 system covered under US Patent D552,969 permits quick placement of housing anywhere within 24" O.C. joists or suspended ceilings • Integral T-bar notch and clip secures housing in suspended ceiling grid – no accessory clips required • 24" expansion stop allows quick placement of fixture in standard grid spacing • Bars scored in two locations for fast, clean breaking, allowing housing installation in tight applications • Bars captive to mounting frame • Edge-mounted for extra strength • Captive bugle-headed ring shank nail for quick one-step installation and easy removal with claw hammer for fixture relocation • Quick-Loc slot (location identified on the mounting frame) and oversized locking set screw lock fixture in position • Bar hanger foot contoured to align to bottom of construction joist • Alternate mounting holes included.

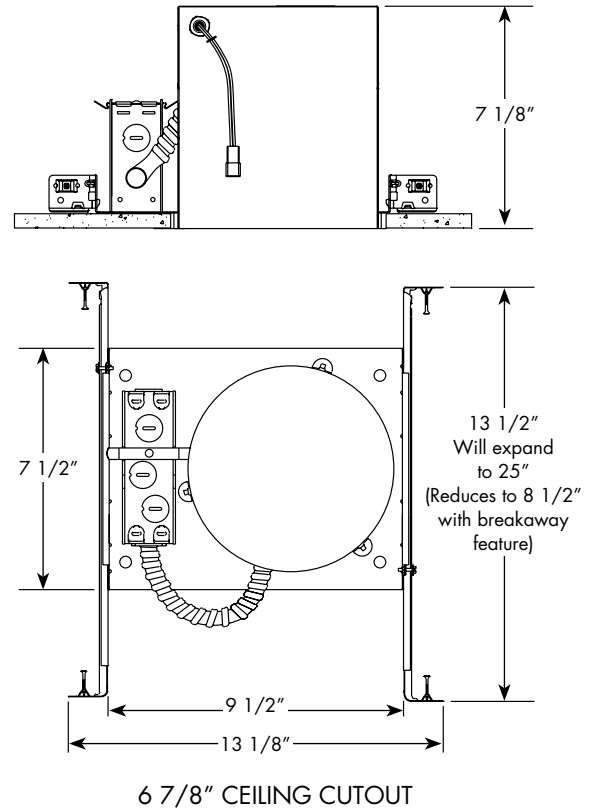
Junction Box Pre-wired junction box provided with (5) 1/2" and (1) 3/4" knockouts, (4) Non-metallic sheathed cable connectors and ground wire, U.L. and cUL listed for through-branch wiring, maximum 8 No. 12 AWG 90° C branch circuit conductors (4 in, 4 out) • Junction box provided with removable access plates • Knockouts equipped with pryout slots • Push-in electrical connectors supplied as standard for fast, secure installation.

Mounting Frame 22-gauge die-formed galvanized steel mounting frame • Rough-in section (junction box, mounting frame, housing and bar hangers) fully assembled for ease of installation • Sight lines embossed on mounting frame to allow for easy viewing when aligning fixtures.

Housing IC aluminum housing, sealed for Air-Loc Compliance • Housing is vertically adjustable to accommodate up to a 1" ceiling thickness.



DIMENSIONS



PRODUCT CODES

Catalog Number	Input Voltage
IC23 LEDT24	120V
6" Incandescent No Plate New Construction IC Hsg.	
6" Quick Connect Housing	

Housing and trim can be ordered together or separate, but will always ship separately.

6" IC NEW CONSTRUCTION HOUSING IC23 LEDT24

COMPATIBLE WITH

J6RL & J6RLE 600, 900 LUMEN SERIES
J6RL (WD) & J6RLE (WD) SERIES, 6RLD SERIES

COMPATIBLE LED MODULES (To order, specify catalog number)

Catalog Number	Description
6RLD G3 06LM 27K 90CRI 120 FRPC WWH	6" Juno Basics Retrofit Downlights, 600 Nominal Lumens, 2700K, White Baffle, White Trim Ring
6RLD G3 06LM 30K 90CRI 120 FRPC WWH	6" Juno Basics Retrofit Downlights, 600 Nominal Lumens, 3000K, White Baffle, White Trim Ring
6RLD G3 06LM 35K 90CRI 120 FRPC WWH	6" Juno Basics Retrofit Downlights, 600 Nominal Lumens, 3500K, White Baffle, White Trim Ring
6RLD G3 09LM 27K 90CRI 120 FRPC WWH	6" Juno Basics Retrofit Downlights, 900 Nominal Lumens, 2700K, White Baffle, White Trim Ring
6RLD G3 09LM 30K 90CRI 120 FRPC WWH	6" Juno Basics Retrofit Downlights, 900 Nominal Lumens, 3000K, White Baffle, White Trim Ring
6RLD G3 09LM 35K 90CRI 120 FRPC WWH	6" Juno Basics Retrofit Downlights, 900 Nominal Lumens, 3500K, White Baffle, White Trim Ring
J6RL G4N DB 06LM 27K 90CRI 120 FRPC WWH	6" LED Retrofit Downlight Trim Module, 600 Nominal Lumens, 2700K, White Baffle, White Trim Ring
J6RL G4N DB 06LM 27K 90CRI 120 FRPC BWH	6" LED Retrofit Downlight Trim Module, 600 Nominal Lumens, 2700K, Black Baffle, White Trim Ring
J6RL G4N DC 06LM 27K 90CRI 120 FRPC CWH	6" LED Retrofit Downlight Trim Module, 600 Nominal Lumens, 2700K, Clear Alzak Cone, White Trim Ring
J6RL G4N DC 06LM 27K 90CRI 120 FRPC WWH	6" LED Retrofit Downlight Trim Module, 600 Nominal Lumens, 2700K, White Cone, White Trim Ring
J6RL G4N DC 06LM 27K 90CRI 120 FRPC HZWH	6" LED Retrofit Downlight Trim Module, 600 Nominal Lumens, 2700K, Haze Cone, White Trim Ring
J6RL G4N DC 06LM 27K 90CRI 120 FRPC WHZWH	6" LED Retrofit Downlight Trim Module, 600 Nominal Lumens, 2700K, Wheat Haze Cone, White Trim Ring
J6RL G4N DB 06LM 30K 90CRI 120 FRPC WWH	6" LED Retrofit Downlight Trim Module, 600 Nominal Lumens, 3000K, White Baffle, White Trim Ring
J6RL G4N DB 06LM 30K 90CRI 120 FRPC BWH	6" LED Retrofit Downlight Trim Module, 600 Nominal Lumens, 3000K, Black Baffle, White Trim Ring
J6RL G4N DC 06LM 30K 90CRI 120 FRPC CWH	6" LED Retrofit Downlight Trim Module, 600 Nominal Lumens, 3000K, Clear Alzak Cone, White Trim Ring
J6RL G4N DC 06LM 30K 90CRI 120 FRPC WWH	6" LED Retrofit Downlight Trim Module, 600 Nominal Lumens, 3000K, White Cone, White Trim Ring
J6RL G4N DC 06LM 30K 90CRI 120 FRPC HZWH	6" LED Retrofit Downlight Trim Module, 600 Nominal Lumens, 3000K, Haze Cone, White Trim Ring
J6RL G4N DC 06LM 30K 90CRI 120 FRPC WHZWH	6" LED Retrofit Downlight Trim Module, 600 Nominal Lumens, 3000K, Wheat Haze Cone, White Trim Ring
J6RL G4N DB 06LM 35K 90CRI 120 FRPC WWH	6" LED Retrofit Downlight Trim Module, 600 Nominal Lumens, 3500K, White Baffle, White Trim Ring
J6RL G4N DB 06LM 35K 90CRI 120 FRPC BWH	6" LED Retrofit Downlight Trim Module, 600 Nominal Lumens, 3500K, Black Baffle, White Trim Ring
J6RL G4N DC 06LM 35K 90CRI 120 FRPC CWH	6" LED Retrofit Downlight Trim Module, 600 Nominal Lumens, 3500K, Clear Alzak Cone, White Trim Ring
J6RL G4N DC 06LM 35K 90CRI 120 FRPC WWH	6" LED Retrofit Downlight Trim Module, 600 Nominal Lumens, 3500K, White Cone, White Trim Ring
J6RL G4N DC 06LM 35K 90CRI 120 FRPC HZWH	6" LED Retrofit Downlight Trim Module, 600 Nominal Lumens, 3500K, Haze Cone, White Trim Ring
J6RL G4N DC 06LM 35K 90CRI 120 FRPC WHZWH	6" LED Retrofit Downlight Trim Module, 600 Nominal Lumens, 3500K, Wheat Haze, White Trim Ring
J6RL G4N DB 06LM 40K 90CRI 120 FRPC WWH	6" LED Retrofit Downlight Trim Module, 600 Nominal Lumens, 4000K, White Baffle, White Trim Ring
J6RL G4N DB 06LM 40K 90CRI 120 FRPC BWH	6" LED Retrofit Downlight Trim Module, 600 Nominal Lumens, 4000K, Black Baffle, White Trim Ring
J6RL G4N DC 06LM 40K 90CRI 120 FRPC CWH	6" LED Retrofit Downlight Trim Module, 600 Nominal Lumens, 4000K, Clear Alzak Cone, White Trim Ring
J6RL G4N DC 06LM 40K 90CRI 120 FRPC WWH	6" LED Retrofit Downlight Trim Module, 600 Nominal Lumens, 4000K, White Cone, White Trim Ring
J6RL G4N DC 06LM 40K 90CRI 120 FRPC HZWH	6" LED Retrofit Downlight Trim Module, 600 Nominal Lumens, 4000K, Haze Cone, White Trim Ring
J6RL G4N DC 06LM 40K 90CRI 120 FRPC WHZWH	6" LED Retrofit Downlight Trim Module, 600 Nominal Lumens, 4000K, Wheat Haze Cone, White Trim Ring
J6RL G4N DB 09LM 27K 90CRI 120 FRPC WWH	6" LED Retrofit Downlight Trim Module, 900 Nominal Lumens, 2700K, White Baffle, White Trim Ring
J6RL G4N DB 09LM 27K 90CRI 120 FRPC BWH	6" LED Retrofit Downlight Trim Module, 900 Nominal Lumens, 2700K, Black Baffle, White Trim Ring
J6RL G4N DC 09LM 27K 90CRI 120 FRPC CWH	6" LED Retrofit Downlight Trim Module, 900 Nominal Lumens, 2700K, Clear Alzak Cone, White Trim Ring
J6RL G4N DC 09LM 27K 90CRI 120 FRPC WWH	6" LED Retrofit Downlight Trim Module, 900 Nominal Lumens, 2700K, White Cone, White Trim Ring
J6RL G4N DC 09LM 27K 90CRI 120 FRPC HZWH	6" LED Retrofit Downlight Trim Module, 900 Nominal Lumens, 2700K, Haze Cone, White Trim Ring
J6RL G4N DC 09LM 27K 90CRI 120 FRPC WHZWH	6" LED Retrofit Downlight Trim Module, 900 Nominal Lumens, 2700K, Wheat Haze Cone, White Trim Ring
J6RL G4N DB 09LM 30K 90CRI 120 FRPC WWH	6" LED Retrofit Downlight Trim Module, 900 Nominal Lumens, 3000K, White Baffle, White Trim Ring
J6RL G4N DB 09LM 30K 90CRI 120 FRPC BWH	6" LED Retrofit Downlight Trim Module, 900 Nominal Lumens, 3000K, Black Baffle, White Trim Ring
J6RL G4N DC 09LM 30K 90CRI 120 FRPC CWH	6" LED Retrofit Downlight Trim Module, 900 Nominal Lumens, 3000K, Clear Alzak Cone, White Trim Ring
J6RL G4N DC 09LM 30K 90CRI 120 FRPC WWH	6" LED Retrofit Downlight Trim Module, 900 Nominal Lumens, 3000K, White Cone, White Trim Ring
J6RL G4N DC 09LM 30K 90CRI 120 FRPC HZWH	6" LED Retrofit Downlight Trim Module, 900 Nominal Lumens, 3000K, Haze Cone, White Trim Ring
J6RL G4N DC 09LM 30K 90CRI 120 FRPC WHZWH	6" LED Retrofit Downlight Trim Module, 900 Nominal Lumens, 3000K, Wheat Haze Cone, White Trim Ring

6" IC NEW CONSTRUCTION HOUSING IC23 LEDT24

COMPATIBLE WITH

J6RL & J6RLE 600, 900 LUMEN SERIES
J6RL (WD) & J6RLE (WD) SERIES, 6RLD SERIES

COMPATIBLE LED MODULES (continued) (To order, specify catalog number)

Catalog Number	Description
J6RL G4N DB 09LM 35K 90CRI 120 FRPC WWH	6" LED Retrofit Downlight Trim Module, 900 Nominal Lumens, 3500K, White Baffle, White Trim Ring
J6RL G4N DB 09LM 35K 90CRI 120 FRPC BWH	6" LED Retrofit Downlight Trim Module, 900 Nominal Lumens, 3500K, Black Baffle, White Trim Ring
J6RL G4N DC 09LM 35K 90CRI 120 FRPC CWH	6" LED Retrofit Downlight Trim Module, 900 Nominal Lumens, 3500K, Clear Alzak Cone, White Trim Ring
J6RL G4N DC 09LM 35K 90CRI 120 FRPC WWH	6" LED Retrofit Downlight Trim Module, 900 Nominal Lumens, 3500K, White Cone, White Trim Ring
J6RL G4N DC 09LM 35K 90CRI 120 FRPC HZWH	6" LED Retrofit Downlight Trim Module, 900 Nominal Lumens, 3500K, Haze Cone, White Trim Ring
J6RL G4N DC 09LM 35K 90CRI 120 FRPC WHZWH	6" LED Retrofit Downlight Trim Module, 900 Nominal Lumens, 3500K, Wheat Haze Cone, White Trim Ring
J6RL G4N DB 09LM 40K 90CRI 120 FRPC WWH	6" LED Retrofit Downlight Trim Module, 900 Nominal Lumens, 4000K, White Baffle, White Trim Ring
J6RL G4N DB 09LM 40K 90CRI 120 FRPC BWH	6" LED Retrofit Downlight Trim Module, 900 Nominal Lumens, 4000K, Black Baffle, White Trim Ring
J6RL G4N DC 09LM 40K 90CRI 120 FRPC CWH	6" LED Retrofit Downlight Trim Module, 900 Nominal Lumens, 4000K, Clear Alzak Cone, White Trim Ring
J6RL G4N DC 09LM 40K 90CRI 120 FRPC WWH	6" LED Retrofit Downlight Trim Module, 900 Nominal Lumens, 4000K, White Cone, White Trim Ring
J6RL G4N DC 09LM 40K 90CRI 120 FRPC HZWH	6" LED Retrofit Downlight Trim Module, 900 Nominal Lumens, 4000K, Haze Cone, White Trim Ring
J6RL G4N DC 09LM 40K 90CRI 120 FRPC WHZWH	6" LED Retrofit Downlight Trim Module, 900 Nominal Lumens, 4000K, Wheat Haze Cone, White Trim Ring
J6RLE G4 06LM 27K 90CRI 120 FRPC WH	6" LED Retrofit Eyeball Trim Module, 600 Nominal Lumens, 2700K, White Trim Ring
J6RLE G4 06LM 30K 90CRI 120 FRPC WH	6" LED Retrofit Eyeball Trim Module, 600 Nominal Lumens, 3000K, White Trim Ring
J6RLE G4 06LM 35K 90CRI 120 FRPC WH	6" LED Retrofit Eyeball Trim Module, 600 Nominal Lumens, 3500K, White Trim Ring
J6RLE G4 06LM 40K 90CRI 120 FRPC WH	6" LED Retrofit Eyeball Trim Module, 600 Nominal Lumens, 4000K, White Trim Ring
J6RLE G4 09LM 27K 90CRI 120 FRPC WH	6" LED Retrofit Eyeball Trim Module, 900 Nominal Lumens, 2700K, White Trim Ring
J6RLE G4 09LM 30K 90CRI 120 FRPC WH	6" LED Retrofit Eyeball Trim Module, 900 Nominal Lumens, 3000K, White Trim Ring
J6RLE G4 09LM 35K 90CRI 120 FRPC WH	6" LED Retrofit Eyeball Trim Module, 900 Nominal Lumens, 3500K, White Trim Ring
J6RLE G4 09LM 40K 90CRI 120 FRPC WH	6" LED Retrofit Eyeball Trim Module, 900 Nominal Lumens, 4000K, White Trim Ring
J6RL WD G4N DB 06LM 30K 90CRI 120 FRPC WWH	6" LED Retrofit WarmDim Downlight Trim Module, 600 Nominal Lumens, 3000K, White Baffle, White Trim Ring
J6RL WD G4N DB 06LM 30K 90CRI 120 FRPC BWH	6" LED Retrofit WarmDim Downlight Trim Module, 600 Nominal Lumens, 3000K, Black Baffle, White Trim Ring
J6RL WD G4N DC 06LM 30K 90CRI 120 FRPC CWH	6" LED Retrofit WarmDim Downlight Trim Module, 600 Nominal Lumens, 3000K, Clear Alzak Cone, White Trim Ring
J6RL WD G4N DC 06LM 30K 90CRI 120 FRPC WWH	6" LED Retrofit WarmDim Downlight Trim Module, 600 Nominal Lumens, 3000K, White Cone, White Trim Ring
J6RL WD G4N DC 06LM 30K 90CRI 120 FRPC HZWH	6" LED Retrofit WarmDim Downlight Trim Module, 600 Nominal Lumens, 3000K, Haze Cone, White Trim Ring
J6RL WD G4N DC 06LM 30K 90CRI 120 FRPC WHZWH	6" LED Retrofit WarmDim Downlight Trim Module, 600 Nominal Lumens, 3000K, Wheat Haze Cone, White Trim Ring
J6RLE WD G4N 06LM 30K 90CRI 120 FRPC WH	6" LED Retrofit WarmDim Eyeball Trim Module, 600 Nominal Lumens, 3000K, White Trim Ring