

SCREW: SEE DWG
 CAT. NO.: PDB-428-500-1
 INFORMATION SHEET: FORM 26

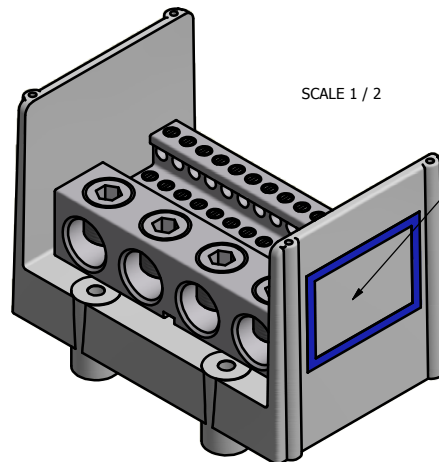
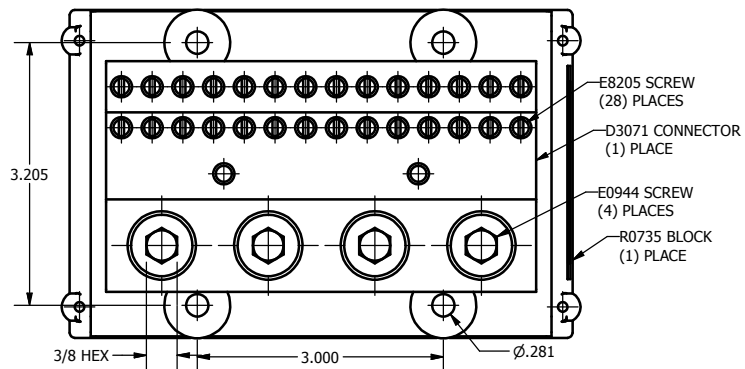
MATERIAL: NONE
 PLATING: NONE
 MARKING: NONE

REV: H
 DRAWN BY: CLH
 DATE: 12/12/2005

SCALE:
 SIZE: B

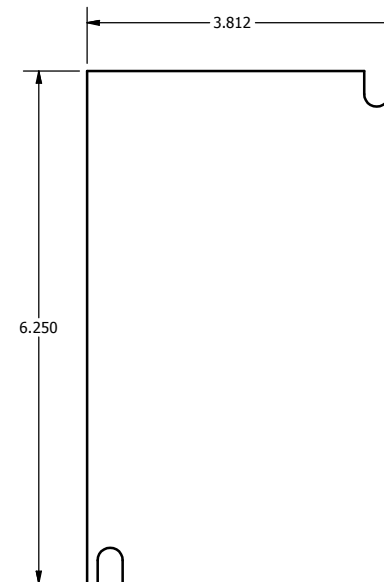
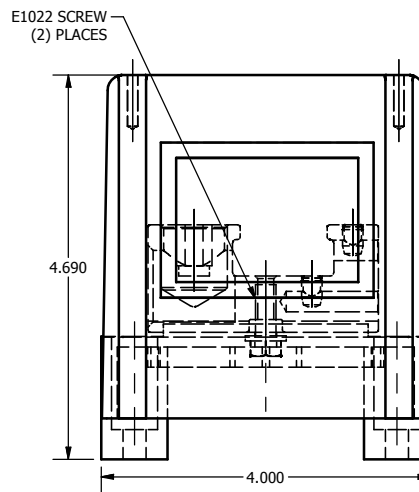
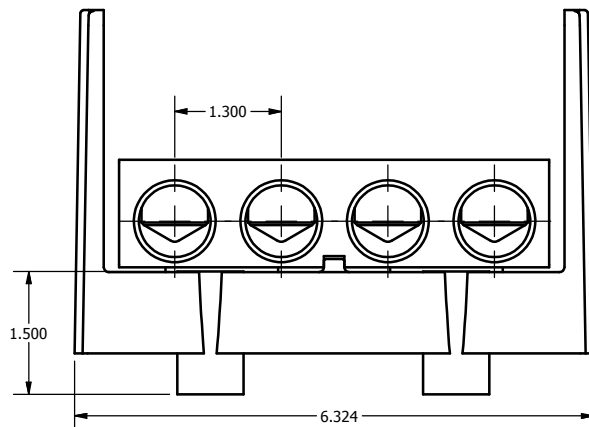


DWG NO: M2676
 SHEET: 1 OF 1



LABEL CONSISTS OF:
 PDB-428-500-1
 POWER DISTRIBUTION BLOCK
 WITH COVER
 MAIN (4)500KCMIL-4, 375 IN. LBS.
 TAP: (28)4-14, 35 IN. LBS.
 1520 AMPS
 1 POLE BLOCK
 600 VOLTS - AL9CU

**PDB-428-500-1
 ALSO CONTAINS
 (2) E1076 SCREW,
 (2) E1101 WASHER,
 AND (1) R0762
 COVER**



R0762 COVER
 SCALE 1 / 1.5