



Main

| | |
|------------------------------|---|
| Product | Single Throw Safety Switch |
| Current Rating | 600 A |
| Certifications | UL listed file E2875 |
| Enclosure Rating | NEMA 3R galvanized steel |
| Factory Installed Neutral | None |
| Disconnect Type | Non-fusible disconnect |
| Short Circuit Current Rating | 200 kA maximum |
| Mounting Type | Surface |
| Number of Poles | 3 |
| Electrical Connection | Lugs |
| Duty Rating | Heavy duty |
| Voltage Rating | 600 V AC/DC |
| Wire Size | AWG 3/0...500 kcmil copper or aluminium |

Complementary

| | |
|----------------------------|--|
| Short-circuit withstand | 200 kA |
| Maximum Horse Power Rating | 200 Hp 240 V AC 50...60 Hz 3 phase NEC 430.52 400 Hp 480 V AC 50...60 Hz 3 phase NEC 430.52 500 Hp 600 V AC 50...60 Hz 3 phase NEC 430.52 50 Hp 250 V DC NEC 430.52 50 hp 600 V DC |
| Maximum Height | 50.31 in (1277.87 mm) |
| Maximum Depth | 10.13 in (257.30 mm) |
| Maximum Width | 27.88 in (708.15 mm) |
| Tightening torque | 375 lbf.in (42.37 N.m) AWG 3/0...500 kcmil) |

Ordering and shipping details

| | |
|-----------------------|----------------------------------|
| Category | 00054 - H&HU SW,NEMA3R,400-1200A |
| Discount Schedule | DE1 |
| GTIN | 00785901452164 |
| Nbr. of units in pkg. | 1 |
| Package weight(Lbs) | 175 lb(US) (79.38 kg) |
| Returnability | Yes |
| Country of origin | MX |

Packing Units

| | |
|------------------|-------------------|
| Package 1 Height | 1.17 ft (0.356 m) |
| Package 1 width | 2.33 ft (0.711 m) |
| Package 1 Length | 4.29 ft (1.308 m) |

The information provided in this documentation contains general descriptions and/or technical characteristics of the performance of the products contained herein. This documentation is not intended as a substitute for and is not to be used for determining suitability or reliability of these products for specific user applications. It is the duty of any such user or integrator to perform the appropriate and complete risk analysis, evaluation and testing of the products with respect to the relevant specific application or use thereof. Neither Schneider Electric Industries SAS nor any of its affiliates or subsidiaries shall be responsible or liable for misuse of the information contained herein.

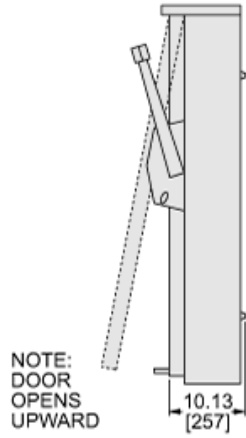
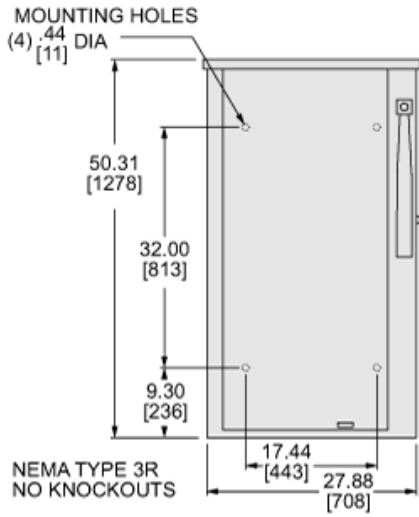
Offer Sustainability

| | |
|----------------------------|---|
| Sustainable offer status | Green Premium product |
| REACH free of SVHC | Yes |
| EU RoHS Directive | Compliant EU RoHS Declaration |
| Mercury free | Yes |
| RoHS exemption information | Yes |
| China RoHS Regulation | China RoHS Declaration |
| Environmental Disclosure | Product Environmental Profile |

Contractual warranty

| | |
|----------|-----------|
| Warranty | 18 months |
|----------|-----------|

Approximate Dimensions



in.
[mm]

