



Two adjustable 13W LED floodlights. Equivalent to 2x75W BR30/halogen/wide floods. Comes with sensor with 180° detection pattern at up to 30 ft.

Color: White

Weight: 5.5 lbs

Project:

Type:

Prepared By:

Date:

Driver Info

Type	Constant Current
120V	0.22A
208V	N/A
240V	N/A
277V	N/A
Input Watts	26W

LED Info

Watts	26W
Color Temp	4000K (Neutral)
Color Accuracy	83 CRI
L70 Lifespan	60,000 Hours
Lumens	2,276
Efficacy	87.5 lm/W

Technical Specifications

Listings

UL Listed:

Suitable for wet locations. Suitable for mounting within 4 feet of the ground.

IESNA LM-79 & LM-80 Testing:

RAB LED luminaires and LED components have been tested by an independent laboratory in accordance with IESNA LM-79 and LM-80.

Optical

NEMA Type:

6H x 6V Beam Spread

Construction

Cold Weather Starting:

Minimum starting temperature is -40°C (-40°F)

Maximum Ambient Temperature:

Suitable for use in up to 40°C (104°F)

Housing:

Precision die-cast aluminum housing, lens frame and mounting arm

Reflector:

Vacuum-metalized polycarbonate

Lens:

Diffused glass for smooth, even light distribution

Mounting:

Pre-Assembled and wired for easy mounting EZ Hang hook. Compatible with round and rectangular surface mount boxes as well as recessed boxes.

Gaskets:

High-temperature silicone gaskets

Finish:

Our environmentally friendly polyester powder coatings are formulated for high-durability and long-lasting color

Green Technology:

Mercury and UV free. RoHS-compliant components.

Electrical

Driver:

120V driver, 50/60/ Hz, 0.22A, 228mA

THD:

12% at 120V

Technical Specifications (continued)

Electrical

Power Factor:

99.3% at 120V

Note:

All values are typical (tolerance +/- 10%)

Voltage:

120VAC, 60Hz

LED Characteristics

LEDs:

Long-life, high-efficacy, surface-mount LEDs

Color Uniformity:

RAB's range of Correlated Color Temperature follows the guidelines of the American National Standard for Specifications for the Chromaticity of Solid State Lighting (SSL) Products, ANSI C78.377-2017.

Other

Equivalency:

2x75W PAR30

5 Yr Limited Warranty:

Fixture operation and paint finish are covered for a period of 5-years. [See our full warranty here.](#)

Buy American Act Compliance:

RAB values USA manufacturing! Upon request, RAB may be able to manufacture this product to be compliant with the Buy American Act (BAA). Please contact customer service to request a quote for the product to be made BAA compliant.

Sensor Specifications

Switching Capacity:

500 Watts of LED LESLIE 13W floods

Sensor Power Consumption (when idle):

1 Watt

Time Adjustment:

5 seconds to 15 minutes

Sensor LED:

Sensor indicator LED glows red day & night for "on guard" deterrence

Surge Protection:

Withstands up to 3000 Volts

"No Hands" Auto Testing:

Auto mode starts after 4 minutes of testing. No adjustment needed.

Manual Override:

Double flip wall switch logic prevents activation by momentary power outages. Override resets to auto at dawn. No extra wiring needed.

RF Immunity:

Circuits fully shielded for maximum radio frequency immunity

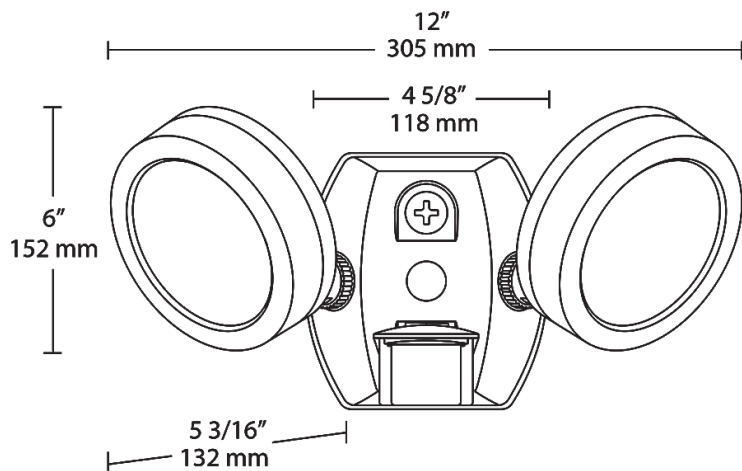
Photoelectric Control:

Deactivates lights during daylight. Fully adjustable for 24-hour operation or custom applications.

Adjustments:

Time, ambient light & sensitivity

Dimensions



Features

- Equivalent to two 75W halogen BR30 wide floods
- 6H x 6V beam distribution delivers ample light
- Diffused lens for smooth, even light distribution
- Adjustable knuckle
- Sensor with 180° detection pattern at up to 30 ft.
- 60,000-Hour LED lifespan

Ordering Matrix

Family	Wattage	Color Temp	Finish
SMSLES	2X13	N	W

2X13 = 2 x 13W

Blank = 5000K (Cool)

N = 4000K (Neutral)

Y = 3000K (Warm)

Blank = Bronze

W = White

¹ Not available with sensor.