



# KT-LED14.5T8-48GX-8CSJ-DX2

## T8 LED LAMP

### DESCRIPTION

14.5W T8 LED Lamp | 3000/3500/4000/5000/6500K | > 80 CRI | High-Efficiency | Single- or Double-ended Line Voltage Wiring



**10 YEAR**  
LIMITED WARRANTY

**LAMP TYPE:** Linear

**BULB TYPE:** T8 LED

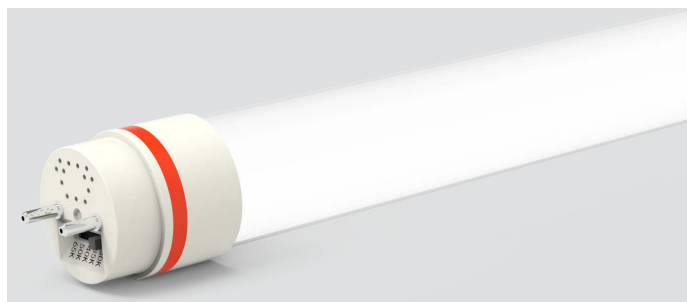
**BASE TYPE:** G13 (Medium Bi-Pin)

**WATTAGE:** 14.5W

**COLOR TEMPERATURE:** 3000/3500/4000/5000/6500K

**COLOR RENDERING INDEX (CRI):** > 80

**WARRANTY:** 5 Years



### PRODUCT FEATURES

- Replacement for conventional fluorescent lamp
- Single- or double-ended line voltage wiring
- Keystone Color Select technology (3000/3500/4000/5000/6500K)
- Instant startup
- Frosted glass lens eliminates pixelation
- Approximately 50% more energy-efficient than standard F32T8 lamps
- Environmentally friendly: No mercury used
- 120+ Lumens per Watt
- Operating temperature: -20°C/-4°F to 45°C/113°F
- Storage temperature: -30°C/-22°F to 60°C/140°F
- Operating humidity: 10-80%
- Integral driver (isolated) eliminates the need for external driver or ballast
- Not compatible with Keystone AC emergency drivers: KT-EMRG-LED-5-500-AC, KT-EMRG-LED-5-500-AC/DF, KT-EMRG-LED-12-1200-AC, or KT-EMRG-LED-12-1200-AC /DF
- Not rated for use in Vapor Tight style fixtures
- Meets FCC Part 15, Class B
- 50,000+ hour lifetime
- UL Classified
- Lamp is dimmable when used with an appropriate dimming accessory (purchased separately). Contact Keystone for more details to find out what is best for the intended application.

### COLOR SELECT (CCT) ADJUSTMENT

- This fixture is equipped with field-adjustable Keystone Color Select technology.
- Adjustable CCT (3000/3500/4000/5000/6500K).
- Adjust dip switch to desired setting (preset to 4000K CCT).



### ELECTRICAL SPECIFICATIONS

Input Voltage	Power Consumption	CCT*	Lumen Output	Efficacy	CRI	Beam Angle	Visible Light Area	Power Factor	THD	Input Current	Lifetime
120-277 Vac 60Hz	14.5W	3,000K	1,725	120 lm/W	>80	240°	325°	>0.9	>20%	105mA @120V 50mA @277V	50,000 hrs
		3,500K	1,850	127 lm/W							
		4,000K	1,850	127 lm/W							
		5,000K	1,850	127 lm/W							
		6,500K	1,800	124 lm/W							

\* Preset to 4000K CCT; Color Uniformity: CCT (Correlated Color Temperature) range as per guidelines outlined in ANSI C78.377-2017

# KT-LED14.5T8-48GX-8CSJ-DX2

## T8 LED LAMP

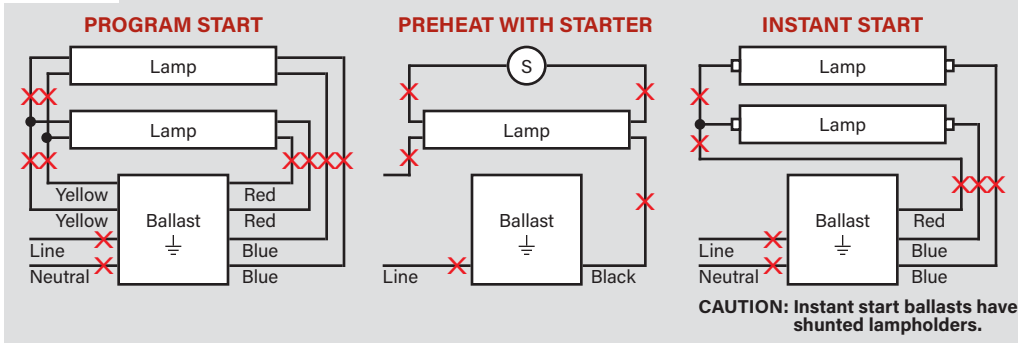
### WIRING DIAGRAMS

**WARNING: NOT COMPATIBLE WITH KEYSTONE AC EMERGENCY BACKUPS**

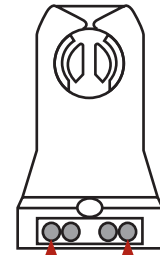
#### SINGLE-ENDED WIRING DIAGRAM

1. Cut all existing connections to ballast as shown below and remove ballast. See Figure A for typical ballast configurations. **Note: Single-ended wiring requires non-shunted lampholders.**

FIGURE A Typical Ballast Wiring Configurations



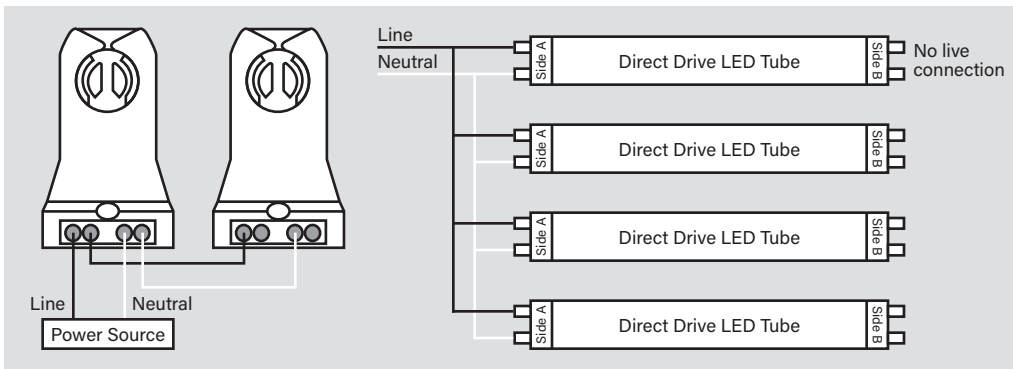
#### TYPICAL NON-SHUNTED LAMPHOLDER



Connect wires directly to these terminals

**CAUTION: FOR SINGLE-ENDED WIRING USE ONLY NON-SHUNTED LAMPHOLDERS.**

2. Rewire fixture as shown below.

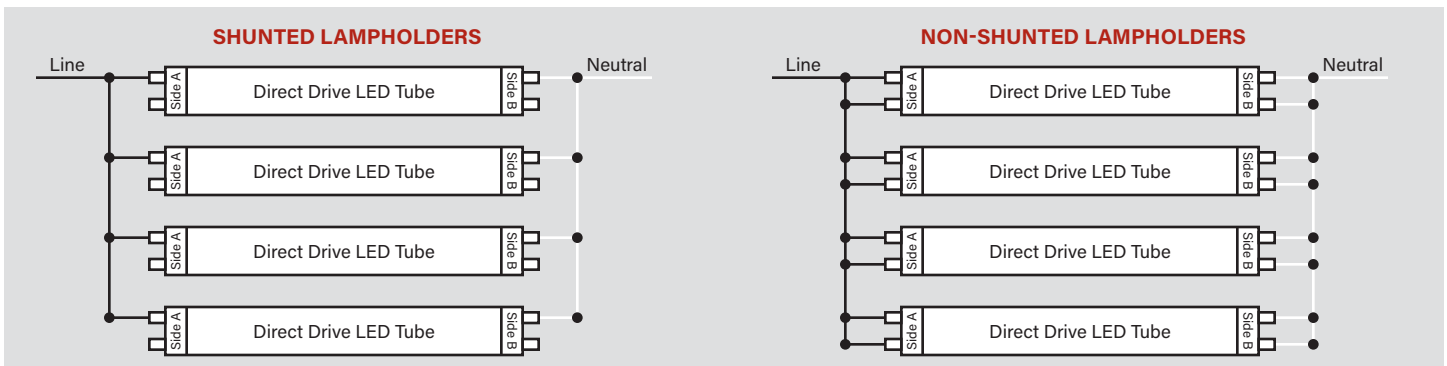


For Single-ended wiring, do not install product in a fixture with shunted lampholders (found in all fixtures using instant start ballasts). If the current lampholders are shunted, remove them and replace them with non-shunted lampholders. Make new connections directly to terminals as indicated above. Keystone can provide any style replacement lampholders. Call us at 800-464-2680.

#### DOUBLE-ENDED WIRING DIAGRAM

1. Cut all existing connections to ballast as shown below and remove ballast. See Figure A above for typical ballast configurations.
2. Re-wire fixture as shown below. For double-ended wiring, use either shunted or nonshunted lampholders.

**NOTE: There should not be any exposed wires at the end of installation.**

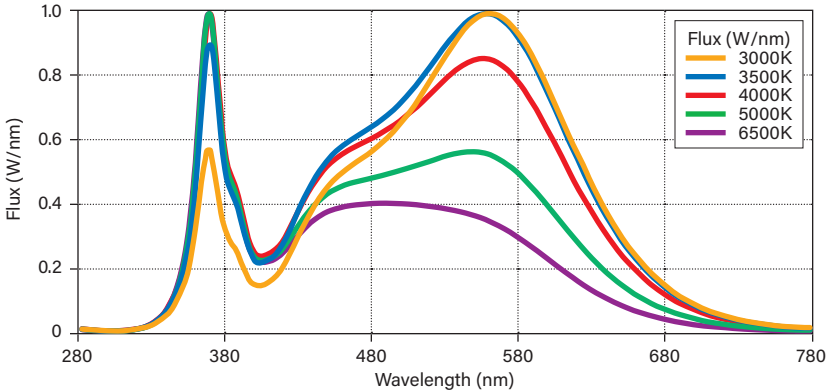


# KT-LED14.5T8-48GX-8CSJ-DX2

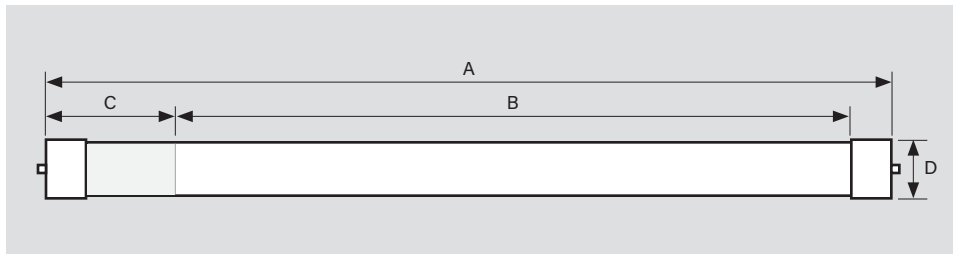
## T8 LED LAMP

### PHOTOMETRIC SPECIFICATIONS

#### SPECTRAL DISTRIBUTION



### PHYSICAL SPECIFICATIONS



#### LAMP DIMENSIONS

A (Body Length)	47.20"
B (Illuminated Length)	44.00"
C (End Cap/Sticker Area)	2.25"
D (Diameter)	1.10"

**NOMINAL LENGTH: 48"**  
**BASE TYPE: G13 (Medium Bi-Pin)**

### ORDERING INFORMATION

ORDER CODE	CARTON QUANTITY	UPC	EASY CODE	DLC PRODUCT ID
KT-LED14.5T8-48G-8CSJ-DX2	25 pcs	843654154596	UBI-68	S-QROMTH
KT-LED14.5T8-48GC-8CSJ-DX2	25 pcs	843654171029	YYQ-31	TBD

### CATALOG NUMBER BREAKDOWN

# KT-LED14.5T8-48GX-8CSJ-DX2

- 1
- 2
- 3
- 4
- 5
- 6
- 7
- 8
- 9
- 10

- 1** Keystone Technologies
- 2** LED Lamp
- 3** Wattage
- 4** Lamp Type
- 5** Nominal Length (Inches)
- 6** Construction Type
- 7** CRI
- 8** Color Select
- 9** Color Select Designation
- 10** Single- or Double-Ended Line Voltage Wiring

#### 6 Construction Type

G	Glass
GC	Glass Coated

#### 9 Color Select Designation

J	3000/3500/4000/5000/6500K
---	---------------------------