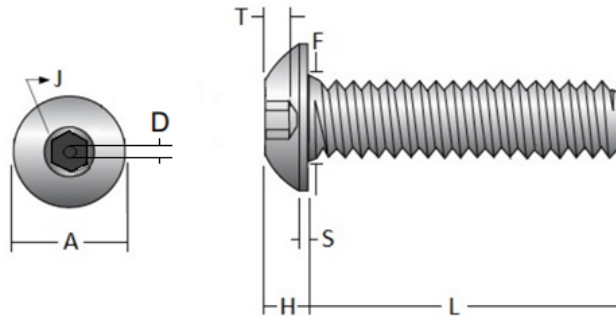


Metallics

An **AMERICAN** Source For Premier
and Innovative Fasteners and Anchors

BUTTON HEAD HEX PIN TAMPER-RESIST MACHINE SCREW – 18-8 STAINLESS STEEL

The following Specification Sheet applies to all **Button Head Hex Pin Tamper-Resist Machine Screw – 18-8 Stainless Steel** in our **TP1** series.



Size	A		H		S	J	T	F		L	D
	Head Diameter		Head Height		Head Side Height	Hexagon Socket Size	Key Engagement	Fillet Transition Diameter		Maximum Standard Length	Tamper Resist Diameter
	Max.	Min.	Max.	Min.	Ref.	Nom.	Min.	Max.	Min.	Nom.	Ref.
4	.213	.021	.059	.051	.015	1/16	.035	.132	.122	.50	.029
6	.262	.250	.073	.063	.015	1/8	.044	.158	.148	.63	.029
8	.312	.298	.087	.077	.015	1/8	.052	.194	.184	.75	.029
10	.361	.347	.101	.091	.020	5/32	.070	.220	.210	1.00	.054
*10	.361	.347	.101	.091	.020	5/32	.070	.220	.210	1.25	.054
1/4	.437	.419	.132	.122	.031	5/32	.087	.290	.280	1.00	.054
5/16	.547	.527	.166	.152	.031	3/16	.105	.353	.343	1.00	.103
3/8	.656	.636	.199	.185	.031	7/32	.122	.415	.405	1.25	.103

*Screws 6 inches and shorter are fully threaded.

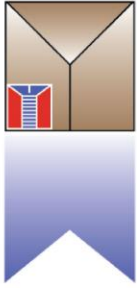
Metallics

229 Cross Street
Bristol, CT 06010

www.metallics.us

Phone: 860 589-4186 Toll Free: 800 243-8272

Fax: 860 584-1008 Toll Free Fax: 800 831-9358



Metallics

An **AMERICAN** Source For Premier
and Innovative Fasteners and Anchors

THREAD DIMENSIONS

2A EXTERNAL THREADS FOR MACHINE SCREWS AND SEMS										ASME B 1.1 (2002)
Nominal Size & Threads per Inch	Series Designation	Allowance	Major Diameter		Pitch Diameter			Stress Area, in ²	Tensile Strength, ^a lb., min. (STEEL screws only)	
			Max	Min	Max	Min	Tolerance			
0-80 0.060	UNF	.0005	.0595	.0563	.0514	.0496	.001762	0.00180	-	
1-64 0.073	UNC	.0006	.0724	.0686	.0623	.0603	.001970	0.00263	-	
1-72 0.073	UNF	.0006	.0724	.0689	.0634	.0615	.001899	0.00278	-	
2-56 0.086	UNC	.0006	.0854	.0813	.0738	.0717	.002127	0.00370	-	
2-64 0.086	UNF	.0006	.0854	.0816	.0753	.0733	.002040	0.00394	-	
3-48 0.099	UNC	.0007	.0983	.0938	.0848	.0825	.002302	0.00487	-	
3-56 0.099	UNF	.0007	.0983	.0942	.0867	.0845	.002191	0.00523	-	
4-40 0.112	UNC	.0008	.1112	.1061	.0950	.0925	.002507	0.00604	360	
4-48 0.112	UNF	.0007	.1113	.1068	.0978	.0954	.002361	0.00661	396	
5-40 0.125	UNC	.0008	.1242	.1191	.1080	.1054	.002562	0.00796	470	
5-44 0.125	UNF	.0007	.1243	.1195	.1095	.1070	.002484	0.00830	498	
6-32 0.138	UNC	.0008	.1372	.1312	.1169	.1141	.002820	0.00909	550	
6-40 0.138	UNF	.0008	.1372	.1321	.1210	.1184	.002614	0.01015	609	
8-32 0.164	UNC	.0009	.1631	.1571	.1428	.1399	.002916	0.0140	850	
8-36 0.164	UNF	.0008	.1632	.1577	.1452	.1424	.002804	0.01474	884	
10-24 0.190	UNC	.0010	.1890	.1818	.1619	.1586	.003319	0.0175	1050	
10-32 0.190	UNF	.0009	.1891	.1831	.1688	.1658	.003004	0.0200	1200	
12-24 0.216	UNC	.0010	.2150	.2078	.1879	.1845	.003400	0.0242	1450	
12-28 0.216	UNF	.0010	.2150	.2085	.1918	.1886	.003224	0.0258	1548	
1/4-20 0.250	UNC	.0011	.2489	.2408	.2164	.2127	.003731	0.0318	1900	
1/4-28 0.250	UNF	.0010	.2490	.2425	.2258	.2225	.003322	0.0364	2200	
5/16-18 0.3125	UNC	.0012	.3113	.3026	.2752	.2712	.004041	0.0524	3150	
5/16-24 0.3125	UNF	.0011	.3114	.3042	.2843	.2806	.003660	0.0580	3480	
3/8-16 0.375	UNC	.0013	.3737	.3643	.3331	.3287	.004363	0.0775	4650	
3/8-24 0.375	UNF	.0011	.3739	.3667	.3468	.3430	.003804	0.0878	5268	
1/2-13 0.500	UNC	.0015	.4985	.4876	.4485	.4435	.004965	0.1419	8500	
1/2-20 0.500	UNF	.0013	.4987	.4906	.4662	.4619	.004288	0.1599	9594	
Tolerance on Length L	Nominal Screw Size	Nominal Screw Length								
		Up to 1/2 in., incl.	Over 1/2 to 1 in., incl.	Over 1 to 2 in., incl.	Over 2 in.					
	0 thru 12	-0.02	-0.03	-0.06	-0.09					
	1/4 thru 3/4	-0.03	-0.03	-0.06	-0.09					

Metallics

229 Cross Street
Bristol, CT 06010

www.metallics.us

Phone: 860 589-4186 Toll Free: 800 243-8272

Fax: 860 584-1008 Toll Free Fax: 800 831-9358