

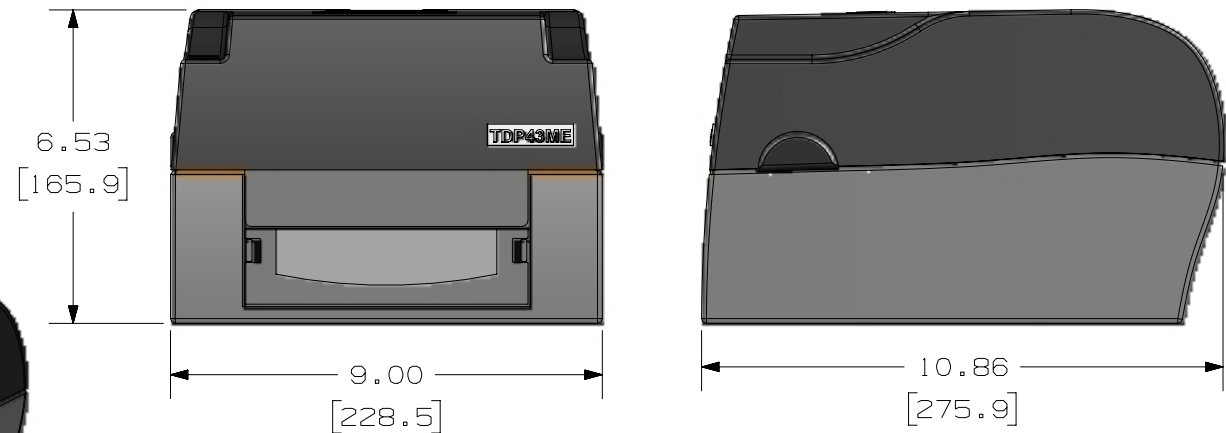
THIS COPY IS PROVIDED ON A RESTRICTED BASIS AND IS NOT TO BE USED IN ANY WAY DETRIMENTAL TO THE INTERESTS OF PANDUIT CORP.

**NOTES:**

- VISIT OUR ONLINE CATALOG AT [www.Panduit.com](http://www.Panduit.com) FOR A LIST OF APPLICABLE LABEL AND RIBBON PART NUMBERS TO BE USED WITH THIS PRINTER AS WELL AS HELPFUL TIPS AND ACCESS TO OUR CUSTOMER SUPPORT TEAM.
- DIMENSIONS IN [ ] ARE METRIC.
- ALL MATERIALS AND COMPONENTS USED MEET THE MATERIAL RESTRICTIONS OF RoHS (EUROPEAN DIRECTIVE 2011/65/EU ON THE RESTRICTION OF HAZARDOUS SUBSTANCES) AS PROPOSED BY THE RoHS TECHNICAL ADAPTATION COMMITTEE.



PANDUIT PART NUMBER	DESCRIPTION
TDP43ME	(1) Printer, (1) Driver Disk, (1) Easy-Mark Plus™ Labeling Software, (1) RMEH4BL Black Hybrid Ribbon, (1) AC Power Adapter with North America Power Cord, (1) USB Cable, (1) User Manual, (1) Quick Start Guide (1) US power cord
TDP43ME/E	(1) Printer, (1) Driver Disk, (1) Easy-Mark Plus™ Labeling Software, (1) RMEH4BL Black Hybrid Ribbon, (1) AC Power Adapter with EuroPlug Cord, (1) USB Cable, (1) User Manual, (1) Quick Start Guide (3) Swiss and UK power cords, and a Japanese power cord



PART NUMBER		TDP43ME, TDP43ME/E,		
TITLE				
TDP43ME and TDP43ME/E Desktop Printer				
CUSTOMER DRAWING				
ITEM REVISION NAME		100109BP/03		
DATASET FILE NAME		100109BP_DC_C11741_01/03		
		THIRD ANGLE PROJECTION		
MATERIAL			DRAWING NUMBER	
NTS			C11741	
DRAWN BY	DATE	CHK	SCALE	SIZE
RVU	1/13/2021	JADE	NONE	A

A-SIZE CUSTOMER

REV	DATE	BY	CHK	APR	DESCRIPTION	ECN
01	3/10/2021	RVU	BMAG	RCMC	REVISED FROM CARD TO GUIDE. REMOVED "PANDUIT" AND ADDED "TM" TO EASY-MARK PLUS.	GAECN05905
00	1/13/2021	RVU	BMAG	RCMC	INITIAL RELEASE	GAECN05850