



# LED MR16

## 8MR16/LED/840/F35/DIM 12V 10/1FB

LED, MR16, 75 W, GU5.3, 4000 K, 660 lm, 25000 hour(s), Aluminum

Philips LED MR-16 lamps with single optic technology provide the look and color quality of traditional halogens while using a fraction of the energy. A perfect fit for spot lighting, they are compatible with most existing fixtures with MR16 GU5.3 holders and are designed as a retrofit replacement for halogen or incandescent spots.

### Product data

General Information	
Cap-Base	GU5.3
Nominal lifetime	25,000 hour(s)
Switching Cycle	50,000
Lighting Technology	LED
Light Technical	
Color Code	840 [CCT of 4000K]
Beam Angle (Nom)	35 degree(s)
Luminous Flux	660 lm
Luminous Intensity (Nom)	1,800 cd
Color Designation	Cool White (CW)
Correlated Color Temperature (Nom)	4000 K
Luminous Efficacy (rated) (Nom)	82.00 lm/W
Color Consistency	<4
Color rendering index (CRI)	80
LLMF At End Of Nominal Lifetime (Nom)	70 %

Operating and Electrical	
Line Frequency	- Hz
Input Frequency	- Hz
Power Consumption	8 W
Lamp Current (Nom)	720 mA
Wattage Equivalent	75 W
Starting Time (Nom)	0.5 s
Warm-up time to 60% light	0.5 s
Power Factor (Fraction)	0.7
Voltage (Nom)	ac electronic 12 V
Temperature	
T-Case Maximum (Nom)	93 °C
Controls and Dimming	
Dimmable	Only with specific dimmers

# LED MR16

## Mechanical and Housing

Bulb Finish	Clear
Bulb Material	Aluminum
Bulb Shape	MR16
UL Wet/ damp/ dry location	Damp location
Net Weight (Piece)	0.060 kg

## Approval and Application

Suitable For Accent Lighting	Yes
EU RoHS compliant	Yes
T20 compliant	No

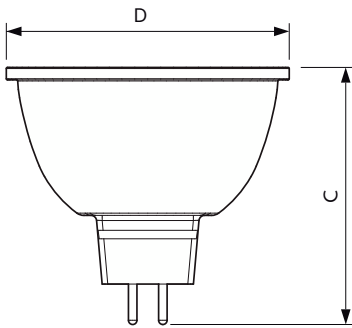
## Application Conditions

can it be used in closed luminaires	Yes
-------------------------------------	-----

## Product Data

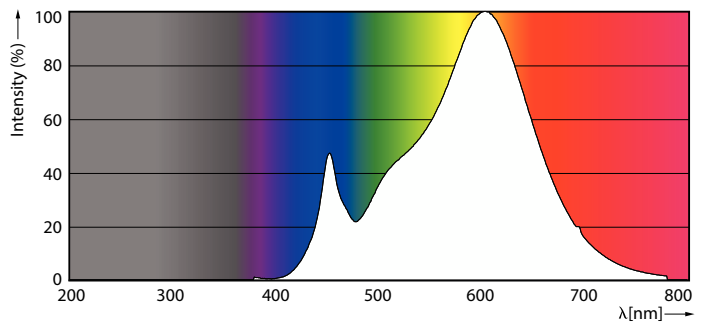
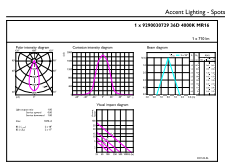
Order product name	8MR16/LED/840/F35/DIM 12V 10/1FB
Full product name	8MR16/LED/840/F35/DIM 12V 10/1FB
Order code	929003072904
Material Nr. (12NC)	929003072904
Numerator - Quantity Per Pack	1
EAN/UPC - Product/Case	046677573959
Numerator - Packs per outer box	10
EAN/UPC - Case	50046677573954

## Dimensional drawing



Product	D	C
8MR16/LED/840/F35/DIM 12V 10/1FB	50 mm	46.5 mm

## Photometric data

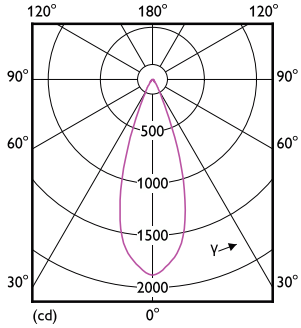


Accent Lighting Spots - 8MR16/LED/840/F35/DIM 12V 10/1FB

Spectral Power Distribution Colour - 8MR16/LED/840/F35/DIM 12V 10/1FB

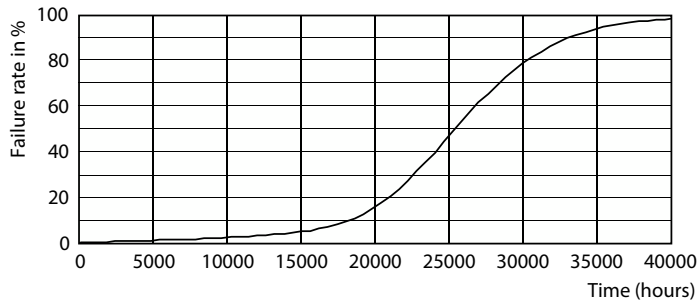
# LED MR16

## Photometric data

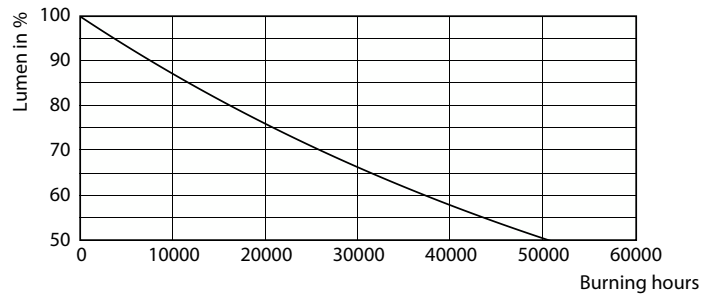


Light Distribution Diagram - 8MR16/LED/840/F35/DIM 12V 10/1FB

## Lifetime



Life Expectancy Diagram



Lumen Maintenance Diagram - 8MR16/LED/840/F35/DIM 12V 10/1FB

