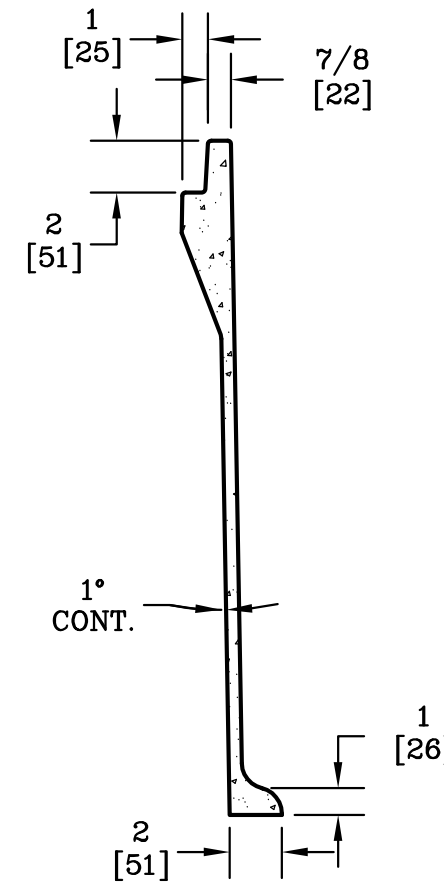
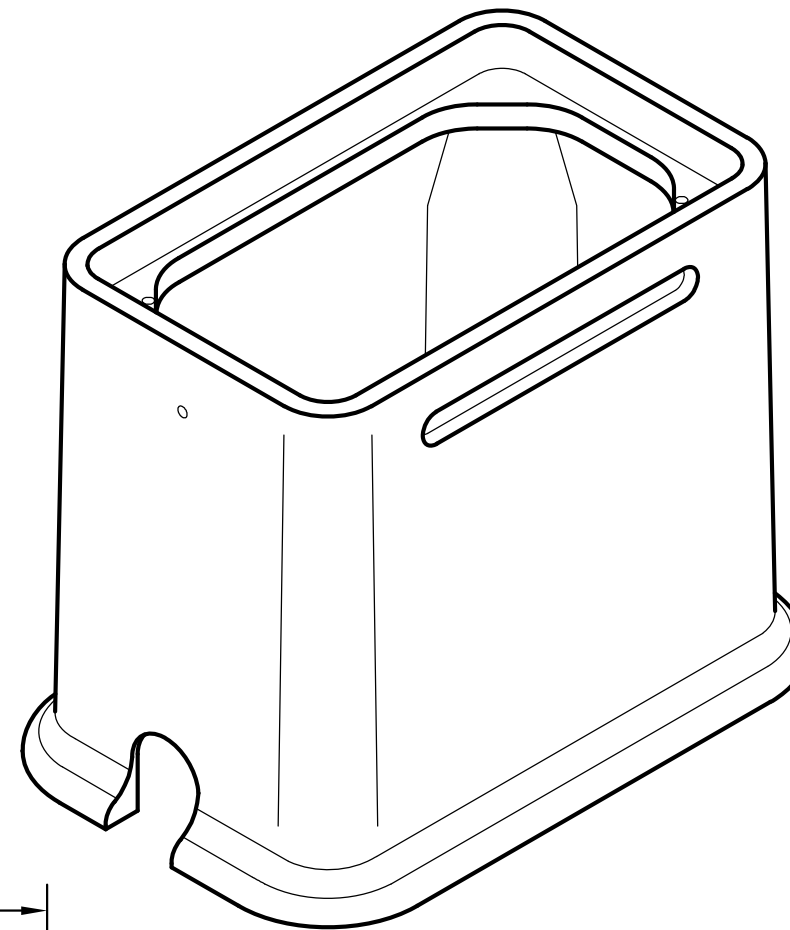
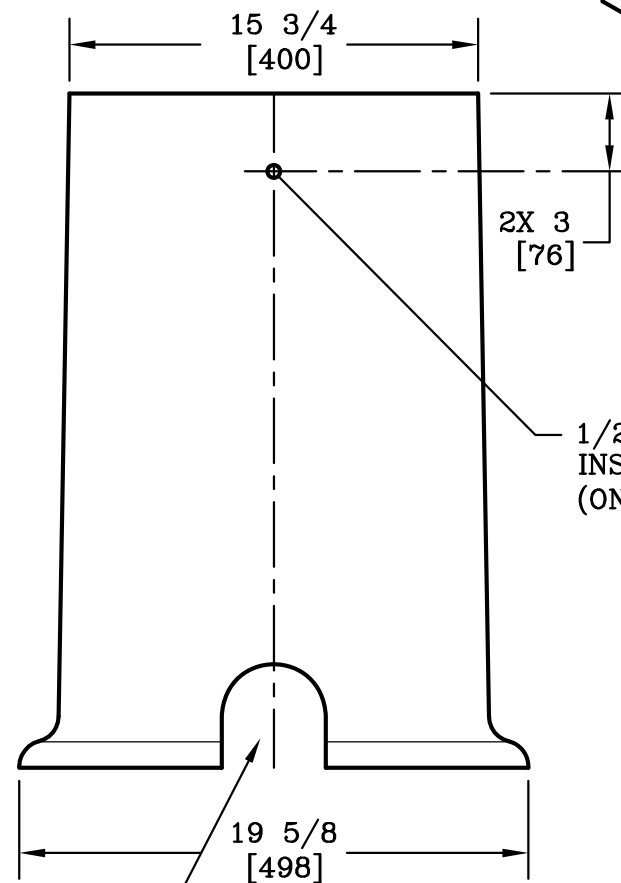
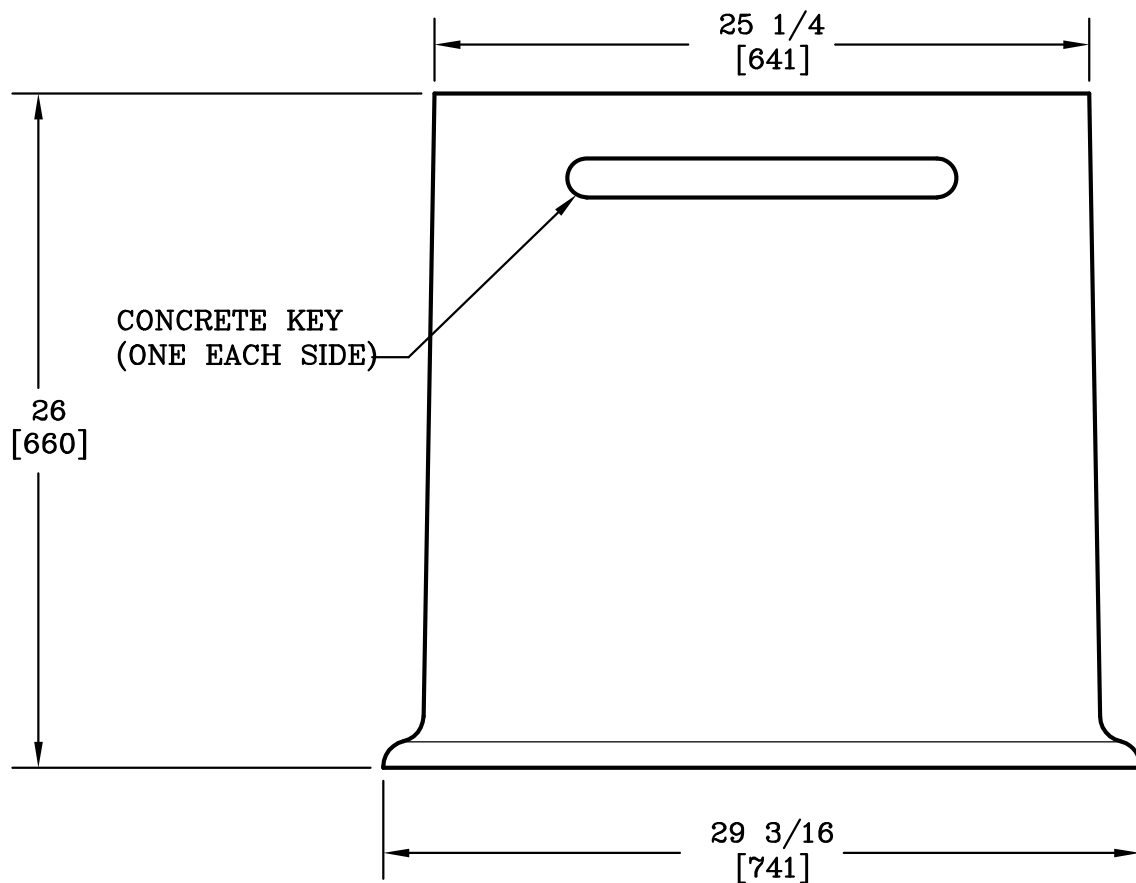


3/8-7 SELF ALIGNING,
REPLACEABLE S.S. EZ-NUT
2 PLACES



SECTION A-A




1/2-13 UNC LIFTING
INSERT
(ONE EACH END)

2X 4 [102] X 4 [102]
MOUSEHOLE
(ONE CENTERED EACH END)

NOTE:

1. DIMENSIONS IN BRACKETS ARE IN MILLIMETERS UNLESS OTHERWISE SPECIFIED.

| DIMENSIONS ARE IN INCHES OR MILLIMETERS IN BRACKETS UNLESS OTHERWISE NOTED. | | | | | | |
|---|-----|------|--------------|---|----------------|--|
| DRN | BY | DATE | WEIGHT |  3621 INDUSTRIAL PARK DR LENOIR CITY, TN 37771 800-346-3062 www.quazite.com | LOC | |
| CHK | ENG | APR | 133# 60kg | | S | |
| APR | APR | APR | SCALE | DRAWING DESCRIPTION | REV | |
| | | | 1 1/2"=1' | | B | |
| | | | SIZE | | 3/12 | |
| PROJECT NUMBER | | | | | DRAWING NUMBER | |
| 06933 | | | | | PD1324BB26 | |
| SHEET 1 OF 1 | | | | | | |