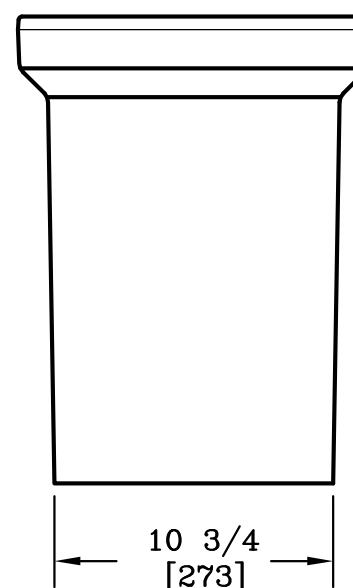
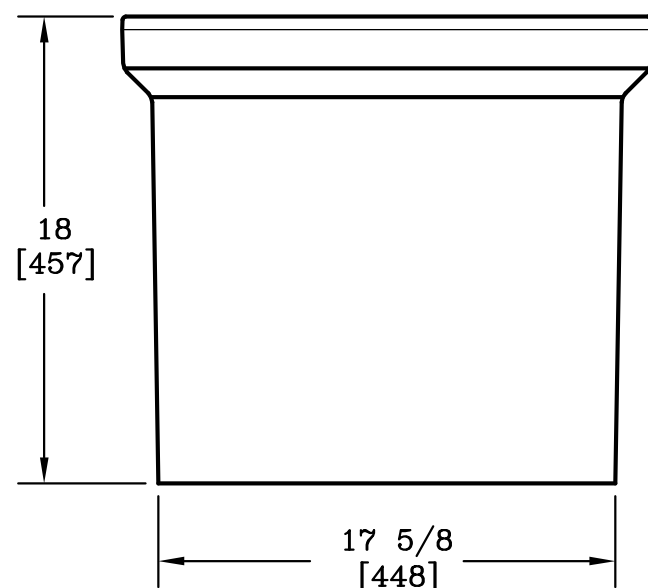



SECTION A-A
SCALE: 3"=1'



DIMENSIONS ARE IN INCHES OR MILLIMETERS IN BRACKETS UNLESS OTHERWISE NOTED.						
DRN	BY	DATE	WEIGHT	 3621 INDUSTRIAL PARK DR LENOIR CITY, TN 37771 800-346-3062 www.quazite.com	LOC	
CHK	ENG	APR	SCALE		DRAWING DESCRIPTION	LC
APR	APR	APR	SIZE	QUAZITE® BOX W/ GASKET STANDARD VERSION	S	
PROJECT NUMBER	SHEET 1 OF 1		DRAWING NUMBER		REV	
03801			PG1118BG18	C		
				3/12		