

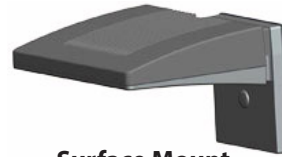
WPLED® 18W INSTALLATION INSTRUCTIONS

RAB
LIGHTING

Thank you for buying RAB lighting fixtures. Our goal is to design the best quality products to get the job done right. We'd like to hear your comments. Call the Marketing Department at 888-RAB-1000 or email: marketing@rabweb.com



Junction Box



Surface Mount

IMPORTANT

READ CAREFULLY BEFORE INSTALLING FIXTURE. RETAIN THESE INSTRUCTIONS FOR FUTURE REFERENCE.

Fixtures must be wired in accordance with the National Electrical Code and all applicable local codes. Proper grounding is required for safety. THIS PRODUCT MUST BE INSTALLED IN ACCORDANCE WITH THE APPLICABLE INSTALLATION CODE BY A PERSON FAMILIAR WITH THE CONSTRUCTION AND OPERATION OF THE PRODUCT AND THE HAZARDS INVOLVED.

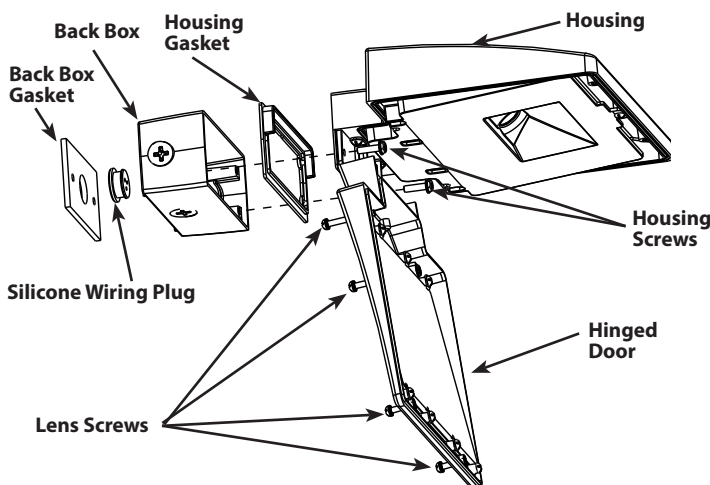
WARNING: Make certain power is OFF before installing or maintaining fixture. No user serviceable parts inside.

CAUTION: For proper weatherproof function all gaskets must be seated properly and all screws inserted and tightened firmly. Apply weatherproof silicone sealant around the edge of the Back Box and/or Junction Box. This is especially important with an uneven wall surface. Silicone all plugs and unused conduit entries.

JUNCTION BOX MOUNT FOR CONDUIT

For use on applications where conduit wiring is needed.

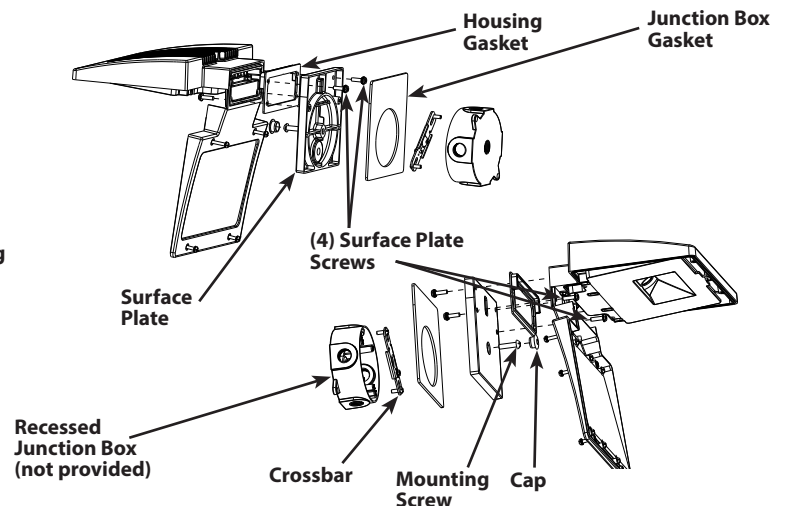
1. Loosen (4) **Lens Screws** and swing open **Hinged Door**. Screws will remain in place with O-Rings.
2. Loosen and remove (2) **Housing Screws**. Remove **Housing** from **Back Box**. Keep **Housing Gasket** intact for re-assembly.
3. Feed wires into **Back Box** through **Silicone Wiring Plug**, if not using conduit/ connectors.
4. Secure **Back Box** to the mounting surface using hardware appropriate for that mounting surface. Silicone around the edge of **Back Box Gasket** (self adhesive) and/ or junction box.
5. Wire the fixture using UL listed wire connectors according to NEC and local codes. Apply sealant to all unused conduit entry points.
6. Place **Gasket** between **Back Box** and **Housing**. Re-mount **Housing** to **Back Box**. Check **Housing Gasket** seal all around the **Back Box**.
7. Re-mount **Door** to **Housing**. Tighten (4) **Lens Screws**. Check door gasket (not shown) seal.
8. Fixture is UL Listed for down and up lighting and may be mounted in either position. Fixture may not melt heavy snow accumulation in an upright position.



SURFACE MOUNT FOR RECESSED JUNCTION BOX

For use with recessed junction box and wiring.

1. Mount **Surface Plate** to fixture with (4) **Surface Plate Screws**. There are two screws from the front and two screws from the back. Make sure **Housing Gasket** makes complete seal all the way around.
2. Use supplied crossbar. Mount **Crossbar** to recessed junction box with (2) screws.
3. Place **Junction Box Gasket** on back of the fixture. Gasket should create seal against mounting surface.
4. Wire fixture to supply wires in recessed junction box according to wiring section.
5. Use 1/4 x 20 stainless steel **Mounting Screw** to attach fixture to Crossbar. Tighten **Mounting Screw**.
6. Cover screw with **Cap**, provided.
7. Fixture is UL Listed for down and up lighting and may be mounted in either position. Fixture may not melt heavy snow accumulation in an upright position.



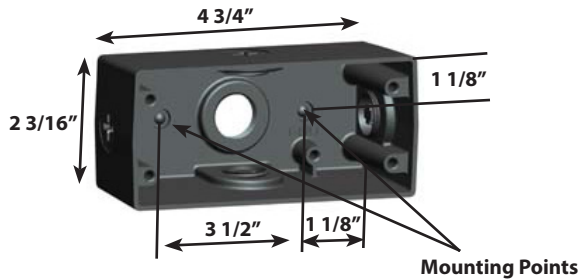
WPLED[®] 18W INSTALLATION INSTRUCTIONS



Thank you for buying RAB lighting fixtures. Our goal is to design the best quality products to get the job done right. We'd like to hear your comments. Call the Marketing Department at 888-RAB-1000 or email: marketing@rabweb.com

JUNCTION BOX

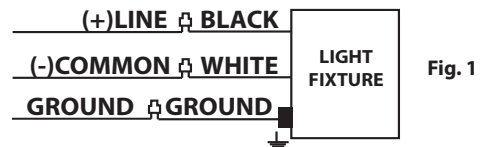
1. The Junction box has (4) conduit entry points on the center of each side and (1) in the center back.
2. **Mounting Points** are dimensioned below.



ON-OFF WIRING

Universal voltage driver permits operation at 100V to 277VAC, 50 or 60Hz except fixtures factory ordered with a 120V photocell (/PC) and 277V photocell (/PC2).

1. Connect the black fixture lead to the (+) LINE supply lead.
2. Connect the white fixture lead to the (-) COMMON supply lead.
3. Connect the bare copper Ground wire from fixture to supply ground.



CLEANING & MAINTENANCE

CAUTION: Be sure fixture temperature is cool enough to touch. Do not clean or maintain while fixture is energized.

1. Clean glass lens with non-abrasive glass cleaning solution.
2. Do not open fixture to clean the LED. Do not touch the LED.

TROUBLESHOOTING

1. Check that the line voltage at fixture is correct. Refer to wiring directions.
2. Is the fixture is grounded properly?
3. Be sure the photocell, if used, is functioning properly.

PATENTS: US: pat. D634,878, **CN:** ZL201030679778.2

Note: These instructions do not cover all details or variations in equipment nor do they provide for every possible situation during installation, operation or maintenance.



Easy Installation & Product Help

Tech Help Line
Call our experts 888 RAB-1000

rabweb.com
Visit our website for product info

email
Answered promptly sales@rabweb.com