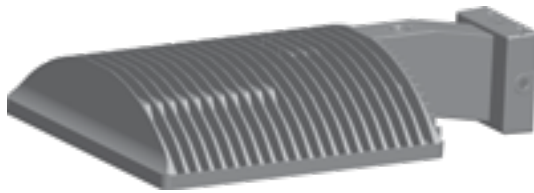


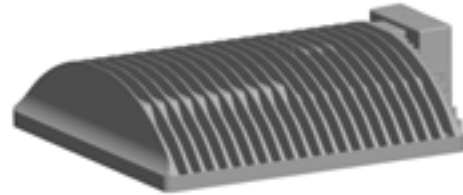
WPLED[®] 260W 360W INSTALLATION INSTRUCTIONS



Thank you for buying RAB lighting fixtures. Our goal is to design the best quality products to get the job done right. We'd like to hear your comments. Call the Marketing Department at 888-RAB-1000 or email: marketing@rabweb.com



WPLED 260/360W



WPLED FX 260/360W

IMPORTANT

READ CAREFULLY BEFORE INSTALLING FIXTURE. RETAIN THESE INSTRUCTIONS FOR FUTURE REFERENCE.

RAB fixtures must be wired in accordance with the National Electrical Code and all applicable local codes. Proper grounding is required for safety. This product must be installed in accordance with the applicable installation code by a person familiar with the construction and operation of the product and the hazards involved.

WARNING: Make certain power is OFF before installing or maintaining fixture. No user serviceable parts inside.

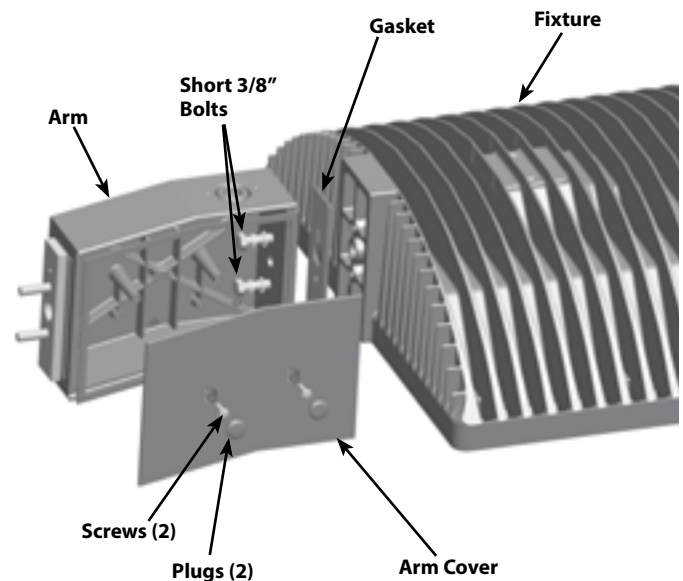
CAUTION: The fixture weighs 80lbs. Make sure mounting surface and hardware supplied by others (if any) can withstand the weight of the fixture.

CAUTION

For proper weatherproof function all gaskets must be seated properly and all screws inserted and tightened firmly. Apply weatherproof silicone sealant around the edge of the Back Box and/or Junction Box. This is especially important with an uneven wall surface. Silicone all plugs and unused conduit entries.

MOUNTING ARM ON FIXTURE

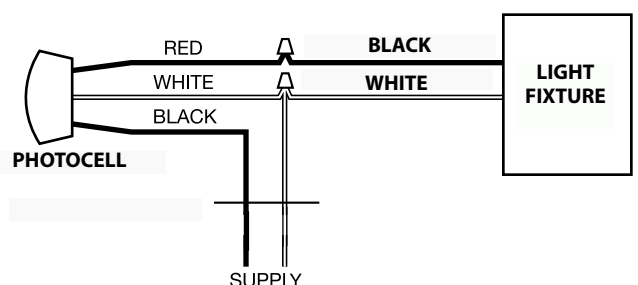
1. Remove the **Arm Cover** from the **Arm**.
2. Feed wires from **Fixture** through **Gasket** into **Arm**.
3. Line up **Arm** and **Fixture**. Place flat washers, lock washers and nuts on the **Short 3/8-16 bolts** inside the **Arm** and tighten securely to housing.
4. Make sure the **Arm Gasket** is secure between **Arm** and **Fixture**.
5. Replace the **Arm Cover**. Be sure **Arm Cover Gasket** on **Arm Cover** is in place.



PHOTOCELL INSTALLATION

Photocell may be wired in the field. Apply weatherproof silicone sealant to all plugs and unused conduit entries.

1. Knockout hole on top of arm.
2. Install photocell and wire as per diagram.
3. Use photocell rated for your supply voltage.



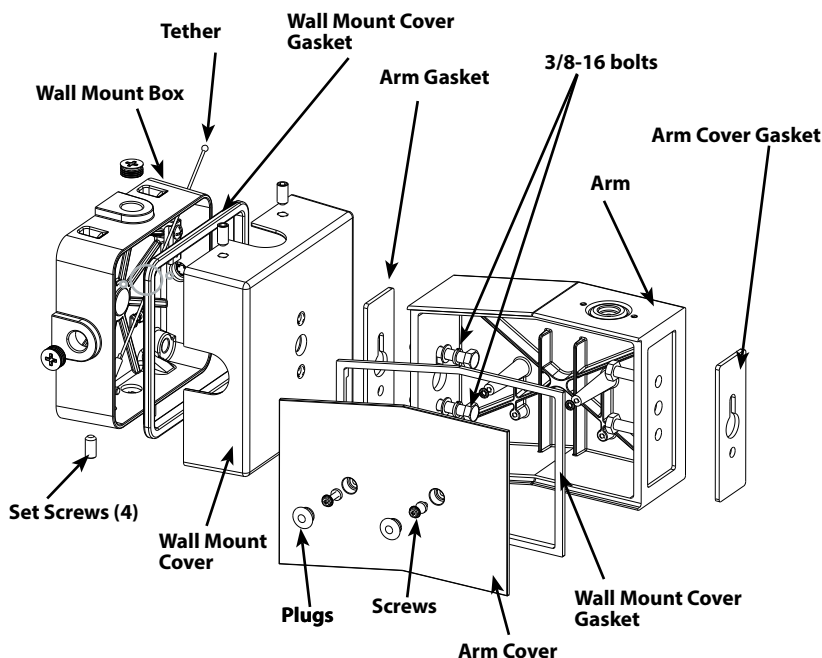
WPLED[®] 260W 360W INSTALLATION INSTRUCTIONS



Thank you for buying RAB lighting fixtures. Our goal is to design the best quality products to get the job done right. We'd like to hear your comments. Call the Marketing Department at 888-RAB-1000 or email: marketing@rabweb.com

WALL MOUNT WITH ARM

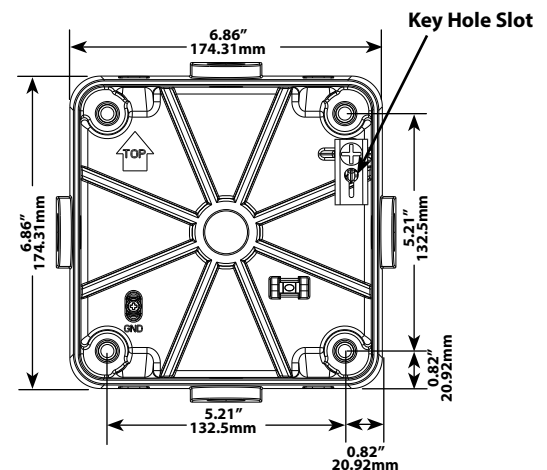
1. Separate **Wall Mount Cover** and **Wall Mount Box**.
2. Orient box so that "TOP" is on top.
3. Secure **Wall Mount Box** to a sturdy wall. Use appropriate mounting hardware such as lag bolts and anchors with washers suitable for the mounting surface.
WARNING - The fixture weighs 80lbs. Make sure mounting surface and hardware supplied by others can withstand the weight of the fixture.
4. Silicone around the edge of **Gasket** and/ or junction box.
5. Feed supply wires through **Wall Mount Box, Wall Mount Cover Gasket, and Wall Mount Cover**.
6. Check that **Wall Mount Cover Gasket** between **Wall Mount Box** and **Wall Mount Cover** is secure and screw the cover on box using four screws.
7. Bring fixture up to the **Wall Mount Box** and slide the stainless steel **Tether** from the fixture into the **Key Hole Slot** for hands free wiring.
8. Line up **Arm** and **Wall Mount Cover**. Place flat washers, lock washers and **3/8-16 bolts** from wall bracket inside the **Arm** and tighten securely.
9. Feed wires through the **Arm Gasket** into **Arm**. Make necessary connections in the **Arm**.
10. Replace the **Arm Cover**. Be sure **Arm Cover Gasket** on **Arm Cover** is in place.
11. Tighten **Close Up Plugs** and apply weatherproof silicone sealant to all unused conduit entry points. Use weatherproof silicone sealant between wall and **Wall Mount Box**.



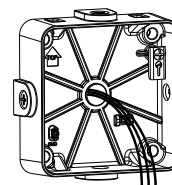
FLAT WALL MOUNT, NO ARM

1. Separate **Wall Mount Cover** and **Wall Mount Box**.
2. Orient box so that "TOP" is on top.
3. Secure **Wall Mount Box** to a sturdy wall. Use appropriate mounting hardware such as lag bolts and anchors with washers suitable for the mounting surface.
WARNING - The fixture weighs 80lbs. Make sure mounting surface and hardware supplied by others can withstand the weight of the fixture.
4. Silicone around the edge of **Gasket** and/ or junction box.
5. Bring fixture up to the **Wall Mount Box** and slide the stainless steel **Tether** from the fixture into the **Key Hole Slot** for hands free wiring.
6. Feed supply wires through **Wall Mount Box** and wire the fixture using suitable wire connectors.
7. Check that **Wall Mount Cover Gasket** between **Wall Mount Box** and **Wall Mount Cover** is secure and screw the cover on box using four screws.
8. Tighten **Close Up Plugs** and apply weatherproof silicone sealant to all unused conduit entry points. Also use sealant between the wall and **Wall Mount Box**.

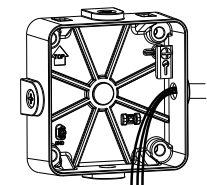
WALL MOUNT BOX DETAILS



Wall Feed
Hardware (not supplied)



Conduit Feed
Hardware (not supplied)



WPLED[®] 260W 360W INSTALLATION INSTRUCTIONS

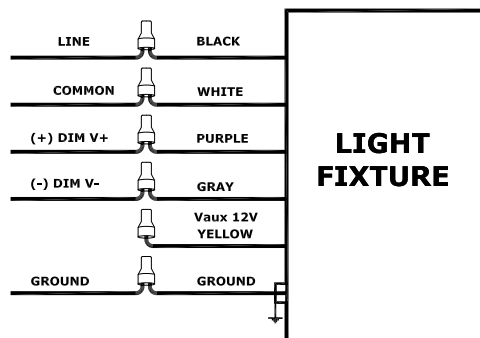


Thank you for buying RAB lighting fixtures. Our goal is to design the best quality products to get the job done right. We'd like to hear your comments. Call the Marketing Department at 888-RAB-1000 or email: marketing@rabweb.com

0-10V DIMMABLE WIRING

Universal voltage driver permits operation at 120V thru 277V, 50 or 60 Hz. 0-10V control wires must be rated for 300V minimum. Units ordered with (/480) suffix are 480V, 50 or 60Hz. For 0-10V Dimming, follow the wiring directions as shown below.

1. Connect the black fixture lead to the LINE supply lead.
2. Connect the white fixture lead to the COMMON supply lead.
3. Connect the GROUND wire from fixture to supply ground. Do NOT connect the GROUND of the dimming fixture to the output.
4. Connect the purple fixture lead to the (V+) DIM lead.
5. Connect the gray fixture lead to the (V-) DIM lead.
6. Cap the yellow fixture lead, if present. Do NOT connect.



CLEANING & MAINTENANCE

CAUTION: Be sure fixture temperature is cool enough to touch. Do not clean or maintain while fixture is energized.

1. Clean glass lens with non-abrasive glass cleaning solution.
2. Do not open fixture to clean the LED. Do not touch the LED.

TROUBLESHOOTING

1. Check that the line voltage at the fixture is correct. Refer to wiring directions.
2. Be sure the fixture is grounded properly.
3. Is the photocell, if used, functioning properly?

Patent: US: pat. D668,370

Note: These instructions do not cover all details or variations in equipment nor do they provide for every possible situation during installation, operation or maintenance.



Easy Installation & Product Help

Tech Help Line
Call our experts 888 RAB-1000

rabweb.com
Visit our website for product info

email
Answered promptly sales@rabweb.com