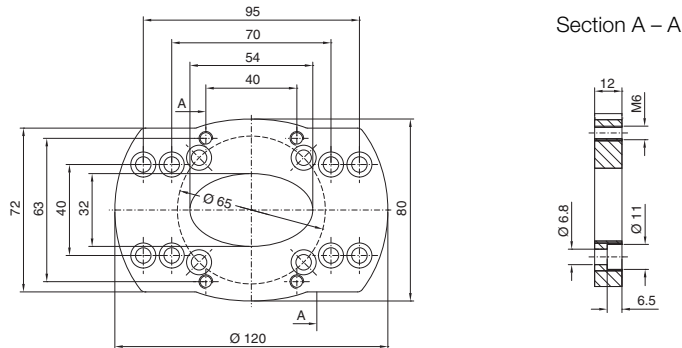




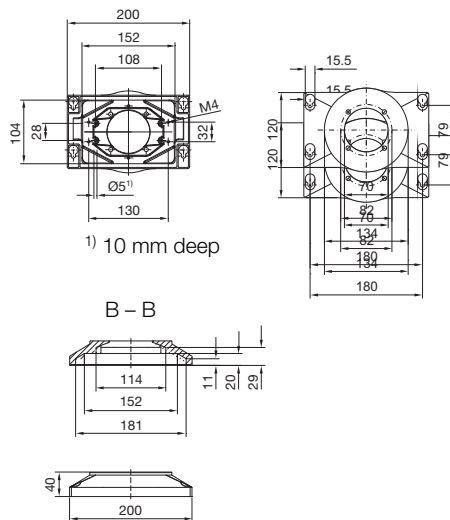
### Adaptor for Siemens Pro-Panel

CP 6206.500

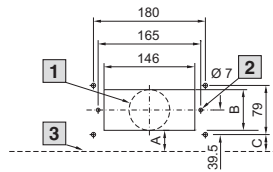


### Connection plates with reinforcement plate

CP 6212.540



Mounting cut-out



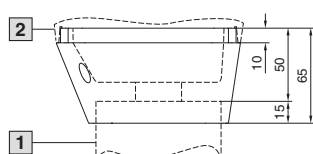
- 1 Alternative Ø B
- 2 Ø 6 mm only with metal enclosures for securing the reinforcement plate
- 3 Outer edge of enclosure at rear

	Installation depth mm	A	B	C
Comfort Panel	152/308	28.9	77.9	30.5
	191 – 464	43.1	82.5	48.1
Optipanel	150	34	65.5	28
Metal enclosure	–	1)	86	1)

1) Make the drilled holes/cut-out in the centre of the enclosure reinforcement plate

### Adaptor CP 120 to support arm, height-adjustable

CP 6071.600



- 1 Support arm, height-adjustable
- 2 Connection of CP 120 system components CP 6212.600, CP 6212.620, CP 6212.700, CP 6212.720, CP 6212.740, CP 6212.760

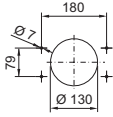
# Enclosures

## Baying and connection components

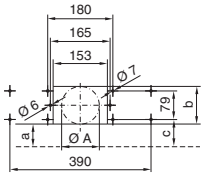
### Housing coupling for desktop mounting

CP 6528.410

Mounting cut-out for surfaces



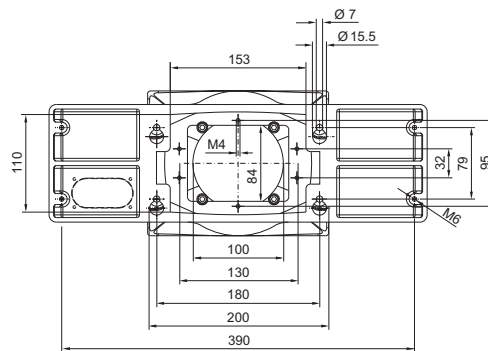
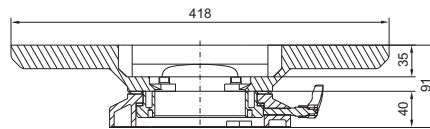
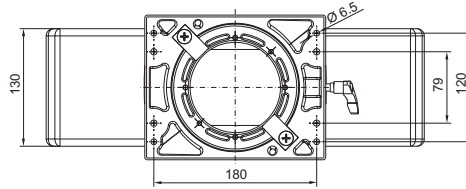
Mounting cut-out, enclosure side



A or Ø A is manufactured to order in the case of Optipanel and Comfort Panel.  
A<sub>max.</sub> = 100 mm

	Installation depth mm	a	b	c
Comfort Panel	152/308	28.9	77.9	30.5
	191 – 464	43.1	82.5	48.1
Optipanel	150	34	65.5	28
Metal enclosure	–	1)	86	1)

1) Make the drilled holes/cut-out in the centre of the enclosure reinforcement plate



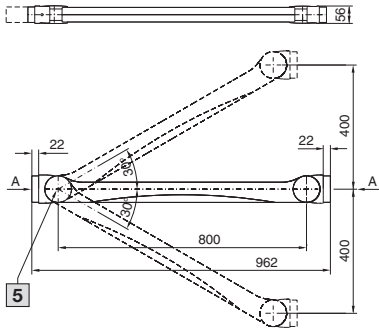
### Support arm, height-adjustable, for support arm system CP 120

CP 6510.210

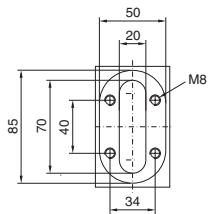
20 kg version

CP 6510.330, CP 6510.340

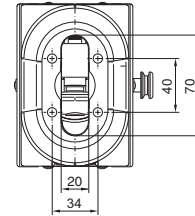
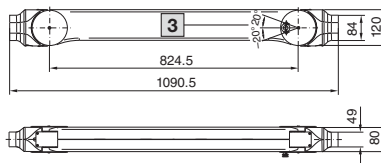
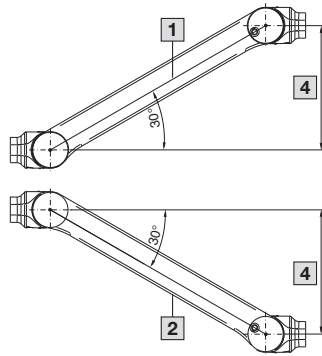
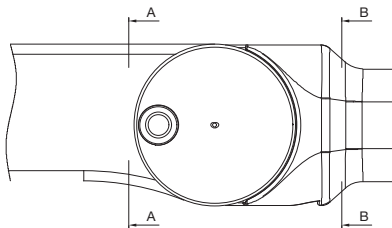
32 kg and 40 kg versions



View A

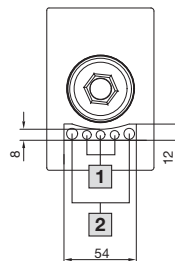


Maximum cross-section for cable entry



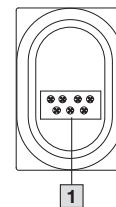
- 1 Top end stop
- 2 Bottom end stop
- 3 Lockable at +20° or -20°
- 4 Approx. 400 mm
- 5 Max. cross-section for cable entry 8 x 15 mm

Section A – A



- 1 Max. Ø 7.0 (3 x)
- 2 Max. Ø 8.5 (2 x)

Section B – B



- 1 Max. connector dimensions  
Width 39 mm, height 18 mm

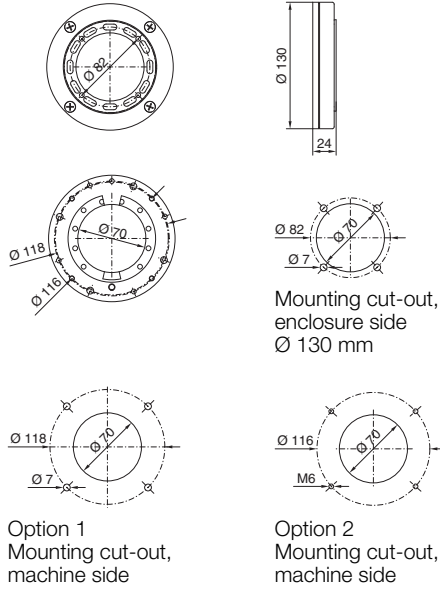
# Enclosures

## Baying and connection components

### Pivot

with/without jib

CP 6016.700



CP 6016.600

