

# Section 1

## Load Centers



QO Miniature Circuit Breakers



QO Load Centers



Homeline Circuit Breakers



QO Circuit Breakers

|                                                              |             |
|--------------------------------------------------------------|-------------|
| <b>Selection Assistance</b>                                  | <b>1-2</b>  |
| <b>QO™ Load Centers</b>                                      | <b>1-3</b>  |
| Indoor, 1Ø, Main Lugs                                        | 1-3         |
| Indoor, 1Ø, Main Circuit Breaker                             | 1-4         |
| Indoor, 1Ø, Main Lugs and Main Breaker                       | 1-5         |
| Rainproof, 1Ø, Main Lugs and Main Circuit Breaker            | 1-6         |
| 3Ø, Main Lugs and Main Circuit Breaker                       | 1-7         |
| 1Ø, Backup Power Solutions                                   | 1-8         |
| 1Ø, Special Applications                                     | 1-9         |
| <b>QO™ Miniature Circuit Breakers</b>                        | <b>1-10</b> |
| QO Plug-On Circuit Breakers                                  | 1-10        |
| Accessories                                                  | 1-14        |
| <b>QO™ and Homeline™ Load Centers and Circuit Breakers</b>   | <b>1-15</b> |
| 1Ø, Value Packs and Riser Panels                             | 1-15        |
| 1Ø3W—120/240 Vac—UL Listed                                   | 1-15        |
| QO Riser Panels                                              | 1-15        |
| Panelboard-style Covers for Riser Panels                     | 1-15        |
| <b>Load Center Accessories</b>                               | <b>1-16</b> |
| QO and Homeline Load Center Accessories                      | 1-16        |
| QO Load Center Accessories                                   | 1-16        |
| Homeline Load Center Accessories                             | 1-17        |
| Surge Protective Devices                                     | 1-17        |
| <b>Homeline™ Load Centers</b>                                | <b>1-18</b> |
| Indoor, 1Ø, Main Lugs and Main Circuit Breaker               | 1-18        |
| Rainproof, 1Ø, Main Lugs and Main Circuit Breakers           | 1-18        |
| 1Ø, Field-Installed Mains Kits                               | 1-19        |
| <b>Homeline™ Circuit Breakers</b>                            | <b>1-20</b> |
| <b>QO™ and Homeline™ Load Centers</b>                        | <b>1-23</b> |
| Indoor, Dimensions and Knockouts                             | 1-23        |
| Rainproof, Dimensions, Knockouts and Bolt-on Hubs            | 1-24        |
| <b>Combination Service Entrance Devices</b>                  | <b>1-25</b> |
| Rainproof, Meter Mains                                       | 1-25        |
| Rainproof, All-In-Ones, 100 to 225 A Maximum                 | 1-28        |
| Rainproof, Meter Mains and All-In-Ones, 300–400 A            | 1-29        |
| Circuit Breakers for CSEDs                                   | 1-30        |
| Accessories and Hubs for CSEDs                               | 1-31        |
| Dimensions                                                   | 1-32        |
| <b>RC/QC Solar Ready CSEDs</b>                               | <b>1-33</b> |
| <b>Homeline Solar Ready PoN CSEDs</b>                        | <b>1-34</b> |
| Rainproof, Meter Mains and All-In-Ones, 125 to 225 A Maximum | 1-34        |
| <b>Enclosed Devices</b>                                      | <b>1-35</b> |
| <b>Servicepak™ Power Outlet Panels</b>                       | <b>1-37</b> |



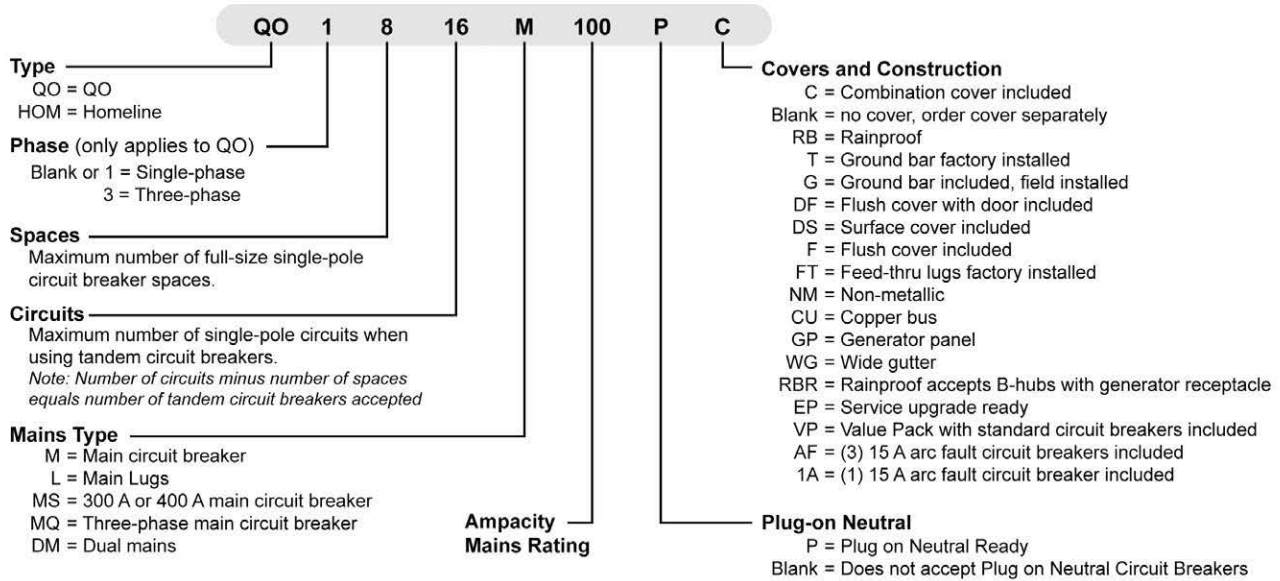
QO Load Center

**QO™ and Homeline™ Load Center Selection Assistance**  
**Load Center Selection Assistant**

**Steps to select a load center.**

1. Select product type:
  - Homeline™ 1 inch format (HOM)
  - QO™ 3/4 inch format with plug-on neutral (QO) (P)
  - QO™ 3/4 inch format (QO)
2. Select enclosure type: indoor or outdoor (RB = rainproof)
3. Select single phase (1) or three phase (3)
4. Select type of main:
  - Main circuit Breaker (M)
  - Main lugs (L)
  - Generator panel (GP)
5. Select main ampacity rating
6. Select pole spaces and max. number of 1-pole, single-phase circuits
7. Select cover style:
  - Surface (box mounted on surface)
  - Surface (box mounted on surface, hinged cover included)
  - Flush (box recessed, cover is flush to wall)
8. Value pack (VP)
9. Select ground bar option:
  - Ground bar factory installed (T)
  - Ground bar included, field installation (G)
10. Select special application:
  - Riser panel with gutter
  - Mfg housing, single phase 3-wire, convertible mains
  - Manufactured housing, single phase, 3-wire
  - Manufactured housing, single phase, 2-wire

**QO™ and Homeline™ Load Centers — Catalog Number Construction**



**Additional Information**

- Search “Load Centers” from our technical FAQs page: [www.schneider-electric.us/en/faqs/home/](http://www.schneider-electric.us/en/faqs/home/)
- Refer to catalog [1100CT0501](#).

**1Ø3W—120/240 Vac—UL Listed Main Lugs**



QO120L125G



QO816L100F or S  
without cover

**Table 1.1: Main Lugs (Accepts Only QO Plug-On Circuit Breakers)**

| Mains Rating                                                                                                                                                     | Spaces | Max. 1P Circuits [1] | Max. Tandem Circuit Breakers | Load Center Box and Interior  | Indoor Cover with Door (Order Separately) |                       | Main Wire Size AWG/kcmil      |                       | Equipment Ground Bar Kit (Order Separately) | Box No. [2] |
|------------------------------------------------------------------------------------------------------------------------------------------------------------------|--------|----------------------|------------------------------|-------------------------------|-------------------------------------------|-----------------------|-------------------------------|-----------------------|---------------------------------------------|-------------|
|                                                                                                                                                                  |        |                      |                              |                               | Flush                                     | Surface               | Al                            | Cu                    |                                             |             |
| <b>Fixed Mains—Factory-Installed Main Lugs—10 kA Short Circuit Current Rating [3]</b>                                                                            |        |                      |                              |                               |                                           |                       |                               |                       |                                             |             |
| 30 A                                                                                                                                                             | 2      | 2                    | 0                            | QO2L30S [4] [5]               | Cover Included—Without Door               |                       | 12–10                         | 14–10                 | PK3GTA1                                     | 1           |
| 70 A                                                                                                                                                             | 2      | 4                    | 2                            | QO24L70F/S [6] [7]            | Cover Included—Without Door               |                       | 12–3                          | 14–4                  | PK4GTA                                      | 2           |
|                                                                                                                                                                  | 6      | 12                   | 6                            | QO612L100F/S [6] [8]          | Cover Included—Without Door               |                       | 8–1                           |                       | PK7GTA                                      | 4           |
|                                                                                                                                                                  | 6      | 12                   | 6                            | QO612L100DF/S [6] [8]         | Cover Included—With Door                  |                       |                               | PK7GTA                | 4                                           |             |
|                                                                                                                                                                  | 8      | 16                   | 8                            | QO816L100F/S [6] [8]          | Cover Included—Without Door               |                       |                               | PK7GTA                | 4                                           |             |
|                                                                                                                                                                  | 8      | 16                   | 8                            | QO816L100DF/S [6] [8]         | Cover Included—With Door                  |                       |                               | PK7GTA                | 4                                           |             |
|                                                                                                                                                                  | 6      | 12                   | 6                            | QO612L100DFCU/SCU [6] [8] [9] | Cover Included—With Door                  |                       |                               | PK7GTA                | 4                                           |             |
|                                                                                                                                                                  | 8      | 16                   | 8                            | QO816L100DFCU/SCU [6] [8] [9] | Cover Included—With Door                  |                       |                               | PK7GTA                | 4                                           |             |
| 125 A                                                                                                                                                            | 4      | 8                    | 4                            | QO148L125GF/S [6] [10]        | Cover Included—Without Door               |                       |                               | 12–2/0                | 14–2/0                                      | PK7GTA [11] |
| <b>Convertible Mains—Factory-Installed Main Lugs—65 kA Short Circuit Current Rating QOM1 Main Frame Size—Convertible to Main Circuit Breaker—Cu Bus [3] [12]</b> |        |                      |                              |                               |                                           |                       |                               |                       |                                             |             |
| 125 A                                                                                                                                                            | 12     | 12                   | 0                            | QO112L125G                    | QOC16UF                                   | QOC16US               | 6–2/0                         |                       | PK9GTA [11]                                 | 6           |
|                                                                                                                                                                  | 12     | 24                   | 12                           | QO11224L125G                  | QOC16UF                                   | QOC16US               |                               | PK15GTA [11]          | 6                                           |             |
|                                                                                                                                                                  | 16     | 16                   | 0                            | QO116L125G                    | QOC24UF                                   | QOC24US               |                               | PK12GTA [11]          | 7                                           |             |
|                                                                                                                                                                  | 16     | 24                   | 8                            | QO11624L125G                  | QOC24UF                                   | QOC24US               |                               | PK15GTA [11]          | 7                                           |             |
|                                                                                                                                                                  | 20     | 20                   | 0                            | QO120L125G                    | QOC20U100F                                | QOC20U100S            | 6–2/0                         | 6–1                   | PK15GTA [11]                                | 6           |
|                                                                                                                                                                  | 20     | 24                   | 4                            | QO12024L125G                  | QOC20U100F                                | QOC20U100S            | 6–2/0                         | 6–1                   | PK15GTA [11]                                | 6           |
|                                                                                                                                                                  | 24     | 24                   | 0                            | QO124L125G                    | QOC24UF                                   | QOC24US               | 6–2/0                         |                       | PK15GTA [11]                                | 7           |
| 32                                                                                                                                                               | 32     | 0                    | QO132L125G                   | QOC32UF                       | Use Flush                                 | PK23GTA, LK100AN [11] |                               | 8                     |                                             |             |
| <b>Convertible Mains—Factory-Installed Main Lugs—65 kA Short Circuit Current Rating—Convertible To Main Circuit Breaker—Cu Bus [3] [12]</b>                      |        |                      |                              |                               |                                           |                       |                               |                       |                                             |             |
| 150 A                                                                                                                                                            | 20     | 30                   | 10                           | QO12030L150G                  | QOC30UF                                   | QOC30US               | 6–250                         |                       | PK23GTA, LK100AN [11]                       | 9           |
|                                                                                                                                                                  | 24     | 24                   | 0                            | QO124L150G                    | QOC30UF                                   | QOC30US               |                               | PK15GTA [11]          | 9                                           |             |
|                                                                                                                                                                  | 30     | 30                   | 0                            | QO130L150G                    | QOC30UF                                   | QOC30US               |                               | PK23GTA, LK100AN [11] | 9                                           |             |
| 200 A                                                                                                                                                            | 12     | 12                   | 0                            | QO112L200G                    | QOC30UF                                   | QOC30US               | 6–250                         |                       | PK15GTA [11]                                | 9           |
|                                                                                                                                                                  | 24     | 36                   | 12                           | QO12436L200TFT [13]           | QOC40UF                                   | QOC40US               |                               | PK23GTA, LK100AN [11] | 10                                          |             |
|                                                                                                                                                                  | 30     | 30                   | 0                            | QO130L200G                    | QOC30UF                                   | QOC30US               |                               | PK23GTA, LK100AN [11] | 9                                           |             |
|                                                                                                                                                                  | 30     | 40                   | 10                           | QO13040L200G                  | QOC30UF                                   | QOC30US               |                               | PK23GTA, LK100AN [11] | 9                                           |             |
|                                                                                                                                                                  | 40     | 40                   | 0                            | QO140L200G                    | QOC40UF                                   | QOC40US               |                               | PK23GTA, LK100AN [11] | 10                                          |             |
|                                                                                                                                                                  | 40     | 60                   | 20                           | QO14060L200G                  | QOC40UF                                   | QOC40US               |                               | (2) PK15GTA [11]      | 10                                          |             |
|                                                                                                                                                                  | 42     | 52                   | 10                           | QO14252L200G                  | QOC42UF                                   | QOC42US               |                               | (2) PK15GTA [11]      | 11                                          |             |
| 225 A                                                                                                                                                            | 42     | 42                   | 0                            | QO142L225G                    | QOC42UF                                   | QOC42US               | 6–300                         | PK23GTA, LK100AN [11] | 11                                          |             |
| <b>Fixed Mains—Factory-Installed Main Lugs—65 kA Short Circuit Current Rating [3] [12]</b>                                                                       |        |                      |                              |                               |                                           |                       |                               |                       |                                             |             |
| 400 A                                                                                                                                                            | 30     | 30                   | 0                            | QONQ30LS400 (Int) [14]        | NC50NQVF                                  | NC50NQVS              | (1) 1/0–750<br>or (2) 1/0–300 |                       | PK27GTA [15]<br>or<br>PK15GTA6              | 15          |
|                                                                                                                                                                  |        |                      |                              | MH50 (box) [16]               |                                           |                       |                               |                       |                                             | 15          |
|                                                                                                                                                                  |        |                      |                              | QONQ42LS400 (Int) [14]        |                                           |                       |                               |                       |                                             |             |
|                                                                                                                                                                  | 42     | 42                   | 0                            | MH50 (box) [16]               |                                           |                       |                               |                       |                                             | 15          |

Above listings through 200 A mains rating meet Federal Specification W-P-115C as Type 1, Class 2.

[1] Maximum single pole branch circuits utilizing QO and/or QOT circuit breakers.  
 [2] See Table 1.53 Knockout Information, page 1-23  
 [3] UL short circuit current rating depends on lowest interrupting rating of circuit breaker installed.  
 [4] Will not accept QO-EPD or Qwik-Gard™ QO-GFI or QO-AFI circuit breakers.  
 [5] Mains rated 25 A when Al wire is used.  
 [6] Order F for flush device or S for surface device.  
 [7] Use 10 AWG maximum size wire for GFI and AFI circuit breakers.  
 [8] 70 A Max. branch circuit breaker and 100 A max. back fed main circuit breaker.  
 [9] CU indicates copper bus.  
 [10] Copper bus.  
 [11] Factory-included.  
 [12] UL Listed 5000 A short circuit current rating for corner grounded Delta systems. Use QO-H circuit breakers only.  
 [13] Supplied with feed-thru lugs.  
 [14] Interior only, order box separately.  
 [15] PK27GTA includes a 6–2/0 AWG Al/Cu lug.  
 [16] PE1A Discount Schedule.

1Ø, Field-Installed Main Circuit Breaker Kits

Table 1.2: QOM1 Frame Size—Use with Convertible Main Load Centers Only



QOM1 Frame Size  
50–125 Amperes

| Main Circuit Breaker Rating [17] | Convertible Load Center Mains Rating | 22 k AIR [18]        |  | Lug Wire Size [19] AWG/kcmil |
|----------------------------------|--------------------------------------|----------------------|--|------------------------------|
|                                  |                                      | Main Circuit Breaker |  |                              |
| 50 A                             | 100–125                              | QOM50VH              |  | 12–2/0 Al or Cu              |
| 60 A                             | 100–125                              | QOM60VH              |  |                              |
| 70 A                             | 100–125                              | QOM70VH              |  |                              |
| 80 A                             | 100–125                              | QOM80VH              |  |                              |
| 90 A                             | 100–125                              | QOM90VH              |  |                              |
| 100 A                            | 100–125                              | QOM100VH             |  |                              |
| 110 A                            | 125                                  | QOM110VH             |  |                              |
| 125 A                            | 125                                  | QOM125VH             |  |                              |

Table 1.3: QOM2 Frame Size—Use with Convertible Main Load Centers Only



QOM2 Frame Size  
100–225 Amperes

| Main Circuit Breaker Rating [17] | Convertible Load Center Mains Rating | 22 k AIR [18]             |  | Lug Wire Size [19] AWG/kcmil |
|----------------------------------|--------------------------------------|---------------------------|--|------------------------------|
|                                  |                                      | Main Circuit Breaker [20] |  |                              |
| 100 A                            | 150–225                              | QOM2100VH                 |  | 4–300 Al or Cu               |
| 125 A                            | 150–225                              | QOM2125VH                 |  |                              |
| 150 A                            | 150–225                              | QOM2150VH                 |  |                              |
| 175 A                            | 200–225                              | QOM2175VH                 |  |                              |
| 200 A                            | 200–225                              | QOM2200VH                 |  |                              |
| 225 A                            | 225                                  | QOM2225VH                 |  |                              |

1Ø3W—120/240 Vac—UL Listed Main Circuit Breaker

Table 1.4: Main Circuit Breaker (Accepts Only QO Plug-On Circuit Breakers.)

| Mains Rating                                                                                                                                                                                                     | Spaces | Max. Single Pole Circuits [21] | Max. Tandem Circuit Breakers | Load Center Box and Interior | Indoor Cover with Door (Order Separately) |            | Main Wire Size AWG/kcmil Al or Cu | Equipment Ground Bar Kit (Order Separately) | Box No. See page 1-23 |
|------------------------------------------------------------------------------------------------------------------------------------------------------------------------------------------------------------------|--------|--------------------------------|------------------------------|------------------------------|-------------------------------------------|------------|-----------------------------------|---------------------------------------------|-----------------------|
|                                                                                                                                                                                                                  |        |                                |                              |                              | Flush                                     | Surface    |                                   |                                             |                       |
| <b>Convertible Mains—Factory-installed Main Circuit Breaker, 22 kA Short Circuit Current Rating, Convertible to Main Lugs (see below) or Lower Amperage Main Circuit Breaker. (See 1-5, page 1-3), [18]</b>      |        |                                |                              |                              |                                           |            |                                   |                                             |                       |
| <b>QOM1 Main Circuit Breaker Frame Size—Copper Bus</b>                                                                                                                                                           |        |                                |                              |                              |                                           |            |                                   |                                             |                       |
| 100 A                                                                                                                                                                                                            | 12     | 12                             | 0                            | QO112M100                    | QOC12UF                                   | QOC12US    | 6–1                               | PK9GTA                                      | 5                     |
|                                                                                                                                                                                                                  | 16     | 16                             | 0                            | QO116M100                    | QOC20U100F                                | QOC20U100S |                                   | PK12GTA                                     | 6                     |
|                                                                                                                                                                                                                  | 20     | 20                             | 0                            | QO120M100                    | QOC20U100F                                | QOC20U100S |                                   | PK15GTA                                     | 6                     |
|                                                                                                                                                                                                                  | 24     | 24                             | 0                            | QO124M100                    | QOC24UF                                   | QOC24US    |                                   | PK15GTA                                     | 7                     |
|                                                                                                                                                                                                                  | 32     | 32                             | 0                            | QO132M100                    | QOC32UF                                   | Use Flush  |                                   | PK18GTA                                     | 8                     |
| 125 A                                                                                                                                                                                                            | 24     | 24                             | 0                            | QO124M125                    | QOC24UF                                   | QOC24US    | 6–2/0                             | PK15GTA                                     | 7                     |
|                                                                                                                                                                                                                  | 32     | 32                             | 0                            | QO132M125                    | QOC32UF                                   | Use Flush  |                                   | PK18GTA                                     | 8                     |
| <b>Convertible Mains—Factory-installed Main Circuit Breaker, 22 kA Short Circuit Current Rating, Convertible to Main Lugs (see below) or Lower Amperage Main Circuit Breaker. (See page 1-5, page 1-3), [18]</b> |        |                                |                              |                              |                                           |            |                                   |                                             |                       |
| <b>QOM2 Main Circuit Breaker Frame Size—Copper Bus</b>                                                                                                                                                           |        |                                |                              |                              |                                           |            |                                   |                                             |                       |
| 150 A                                                                                                                                                                                                            | 20     | 30                             | 10                           | QO12030M150                  | QOC30UF                                   | QOC30US    | 4–250                             | PK18GTA                                     | 9                     |
|                                                                                                                                                                                                                  | 24     | 24                             | 0                            | QO124M150                    | QOC30UF                                   | QOC30US    |                                   | PK15GTA                                     | 9                     |
|                                                                                                                                                                                                                  | 30     | 30                             | 0                            | QO130M150                    | QOC30UF                                   | QOC30US    |                                   | PK18GTA                                     | 9                     |
|                                                                                                                                                                                                                  | 32     | 32                             | 0                            | QO132M150                    | QOC40UF                                   | QOC40US    |                                   | PK18GTA                                     | 10                    |
| 200 A                                                                                                                                                                                                            | 20     | 40                             | 20                           | QO12040M200                  | QOC30UF                                   | QOC30US    | 4–250                             | PK23GTA                                     | 9                     |
|                                                                                                                                                                                                                  | 24     | 24                             | 0                            | QO124M200                    | QOC30UF                                   | QOC30US    |                                   | PK15GTA                                     | 9                     |
|                                                                                                                                                                                                                  | 24     | 36                             | 12                           | QO12436M200TFT [22]          | QOC40UF                                   | QOC40US    |                                   | PK23GTA and LK100AN [23]                    | 10                    |
|                                                                                                                                                                                                                  | 30     | 30                             | 0                            | QO130M200                    | QOC30UF                                   | QOC30US    |                                   | PK18GTA                                     | 9                     |
|                                                                                                                                                                                                                  | 30     | 40                             | 10                           | QO13040M200                  | QOC30UF                                   | QOC30US    |                                   | PK23GTA                                     | 9                     |
|                                                                                                                                                                                                                  | 40     | 40                             | 0                            | QO140M200                    | QOC40UF                                   | QOC40US    |                                   | PK23GTA                                     | 10                    |
|                                                                                                                                                                                                                  | 40     | 60                             | 20                           | QO14060M200                  | QOC40UF                                   | QOC40US    |                                   | PK23GTA                                     | 10                    |
|                                                                                                                                                                                                                  | 42     | 42                             | 0                            | QO142M200                    | QOC42UF                                   | QOC42US    |                                   | PK23GTA                                     | 11                    |
|                                                                                                                                                                                                                  | 42     | 52                             | 10                           | QO14252M200                  | QOC42UF                                   | QOC42US    |                                   | PK23GTA                                     | 11                    |
|                                                                                                                                                                                                                  | 42     | 40                             | 0                            | QO140M225                    | QOC42UF                                   | QOC42US    |                                   | PK23GTA                                     | 11                    |
| 225 A                                                                                                                                                                                                            | 42     | 42                             | 0                            | QO142M225                    | QOC42UF                                   | QOC42US    | 4–300                             | PK23GTA                                     | 11                    |
|                                                                                                                                                                                                                  | 42     | 42                             | 0                            | QO142M225                    | QOC42UF                                   | QOC42US    |                                   | PK23GTA                                     | 11                    |
| <b>Fixed Mains—Factory-installed LAL Main Circuit Breaker, 42 kA Short Circuit Current Rating [24]</b>                                                                                                           |        |                                |                              |                              |                                           |            |                                   |                                             |                       |
| 300 A                                                                                                                                                                                                            | 42     | 42                             | 0                            | QONQ42MS300 (int) [25]       | NC62NQVF                                  | NC62NQVS   | (1) 4–500<br>or (2) 4–3/0         | PK27GTA [26]<br>or<br>PK15GTA6              | 16                    |
|                                                                                                                                                                                                                  |        |                                |                              | MH62 (box) [27]              |                                           |            |                                   |                                             |                       |
| 400 A                                                                                                                                                                                                            | 42     | 42                             | 0                            | QONQ42MS400 (int) [25]       | NC62NQVF                                  | NC62NQVS   | (1) 4–500<br>or (2) 4–250         | PK27GTA [26]<br>or<br>PK15GTA6              | 16                    |
|                                                                                                                                                                                                                  |        |                                |                              | MH62 (box) [27]              |                                           |            |                                   |                                             |                       |

Above listings through 200 A mains rating meet Federal Specification W-P-115c as Type 1, Class 2.

[17] Do not exceed the load center mains rating.  
 [18] 22 k AIR main circuit breaker UL Listed for use ahead of QO, QOT and QO-PL 10 k AIR branch circuit breakers to permit their application on systems with up to 22 kA available fault current.  
 [19] Wire range listed for QOM circuit breaker kits is the wire range of that circuit breaker. To find out maximum wire size permitted in a particular load center per UL, see pages 1-5 through 1-11 under Main Wire Size.  
 [20] Add suffix 1021 for 120, 208 or 240 Vac shunt trip.  
 [21] Maximum single pole branch circuits utilizing QO and/or QOT circuit breakers.  
 [22] Supplied with feed-thru lugs.  
 [23] Factory included.  
 [24] UL short circuit current rating depends on lowest interrupting rating of circuit breakers installed. Also, UL Listed 5000 A short circuit current for corner grounded Delta systems. Use QO-H circuit breakers only.  
 [25] Interior only, order box separately.  
 [26] PK27GTA includes a 6–2/0 Al/Cu lug.  
 [27] PE1A Discount Schedule.

**1Ø, Field-Installed Main Lugs Kits**

**Table 1.5: Use with Convertible Main Load Centers Only**



| Main Lugs Rating [28] | Use on Convertible Load Center with Mains Rating | Cat. No.    | Lug Wire Size [29] AWG/kcmil Al or Cu |
|-----------------------|--------------------------------------------------|-------------|---------------------------------------|
| 125 A                 | 100–125 A                                        | QOL125 [30] | 6–2/0                                 |
| 225 A                 | 150–225 A                                        | QOL225 [30] | 6–300                                 |

**Indoor, 1Ø, Main Lugs and Main Breaker**

QO Plug-on Neutral Load Centers and CAFI Breakers connect are engineered for a quick Plug-on Neutral connection on every unit.

**Table 1.6: QO Plug-on Neutral CAFI Load Center (accepts QO Circuit Breakers only)**

|         | Mains Rating                                                                                                                                                                                                                                                               | Spaces | Max. 1P Circuits | Max. Tandem Breakers | Load Center Box and Interior | Indoor Cover with Door (Order Separately) |         | Main Wire Size AWG/kcmil Al/Cu | Equipment Ground Bar Kit [31] (Order Separately) | Box No. [32] |  |
|---------|----------------------------------------------------------------------------------------------------------------------------------------------------------------------------------------------------------------------------------------------------------------------------|--------|------------------|----------------------|------------------------------|-------------------------------------------|---------|--------------------------------|--------------------------------------------------|--------------|--|
|         |                                                                                                                                                                                                                                                                            |        |                  |                      |                              | Flush                                     | Surface |                                |                                                  |              |  |
| INDOOR  | Convertible Mains — Factory-Installed Main Lugs — 65 kA Short Circuit Current Rating — Copper Bus<br>QOM1 Main Frame Size, Convertible to Main Circuit Breaker                                                                                                             |        |                  |                      |                              |                                           |         |                                |                                                  |              |  |
|         | 125 A                                                                                                                                                                                                                                                                      | 24     | 24               | 0                    | QO124L125PG                  | QOC24UF                                   | QOC24US | 6–2/0                          | PK15GTA                                          | 7            |  |
|         | Convertible Mains — Factory-Installed Main Lugs — 65 kA Short Circuit Current Rating — Copper Bus<br>QOM2 Main Frame Size, Convertible to Main Circuit Breaker                                                                                                             |        |                  |                      |                              |                                           |         |                                |                                                  |              |  |
|         | 200 A                                                                                                                                                                                                                                                                      | 30     | 30               | 0                    | QO130L200PG                  | QOC30UF                                   | QOC30US | 6–250                          | PK23GTA, LK100AN                                 | 9            |  |
|         | 225 A                                                                                                                                                                                                                                                                      | 42     | 42               | 0                    | QO142L225PG                  | QOC42UF                                   | QOC42US | 6–300                          | (2) PK15GTA                                      | 11           |  |
|         |                                                                                                                                                                                                                                                                            | 54     | 54               | 0                    | QO154L225PG                  | QOC54UF                                   | —       |                                | PK23GTA, LK100AN                                 | 12           |  |
|         | Convertible Mains — Factory-Installed Main Circuit Breaker — 22 kA Short Circuit Current Rating — Copper Bus<br>QOM1 Main Circuit Breaker Frame Size, Convertible to Main Lugs or Lower Amperage Main Circuit Breaker                                                      |        |                  |                      |                              |                                           |         |                                |                                                  |              |  |
|         | 100 A                                                                                                                                                                                                                                                                      | 24     | 24               | 0                    | QO124M100P                   | QOC24UF                                   | QOC24US | 6–2/0                          | PK15GTA                                          | 7            |  |
|         | Convertible Mains — Factory-Installed Main Circuit Breaker — 22 kA Short Circuit Current Rating — Copper Bus<br>QOM2 Main Circuit Breaker Frame Size, Convertible to Main Lugs or Lower Amperage Main Circuit Breaker                                                      |        |                  |                      |                              |                                           |         |                                |                                                  |              |  |
|         | 200 A                                                                                                                                                                                                                                                                      | 30     | 30               | 0                    | QO130M200P                   | QOC30UF                                   | QOC30US | 4–250                          | PK18GTA                                          | 9            |  |
|         |                                                                                                                                                                                                                                                                            | 42     | 42               | 0                    | QO142M200P                   | QOC42UF                                   | QOC42US |                                | PK23GTA                                          | 11           |  |
|         |                                                                                                                                                                                                                                                                            | 54     | 54               | 0                    | QO154M200P                   | QOC54UF                                   | —       |                                | PK23GTA                                          | 12           |  |
| 60      |                                                                                                                                                                                                                                                                            | 60     | 0                | QO160M200PC [33]     | —                            | —                                         | PK23GTA |                                | 24                                               |              |  |
| OUTDOOR | Convertible Mains — Factory-Installed Main Lugs — 65 kA Short Circuit Current Rating — Cu Bus<br>QOM1 Main Circuit Breaker Frame Size, Convertible to Main Circuit Breaker — Equipment Ground Bar Included                                                                 |        |                  |                      |                              |                                           |         |                                |                                                  |              |  |
|         | 125 A                                                                                                                                                                                                                                                                      | 24     | 24               | 0                    | QO124L125PGRB                | —                                         | —       | 6–2/0                          | PK15GTA                                          | 4R           |  |
|         | Convertible Mains — Factory-Installed Main Lugs — 65 kA Short Circuit Current Rating — Cu Bus<br>QOM2 Main Circuit Breaker Frame Size, Convertible to Main Circuit Breaker — Equipment Ground Bar Included                                                                 |        |                  |                      |                              |                                           |         |                                |                                                  |              |  |
|         | 200 A                                                                                                                                                                                                                                                                      | 30     | 30               | 0                    | QO130L200PGRB                | —                                         | —       | 6–250                          | PK23GTA, LK100AN                                 | 6R           |  |
|         | 225 A                                                                                                                                                                                                                                                                      | 42     | 42               | 0                    | QO142L225PGRB                | —                                         | —       | 6–300                          | (2) PK15GTA                                      | 8R           |  |
|         | Convertible Mains — Factory-Installed Main Circuit Breaker — 22 kA Short Circuit Current Rating — Copper Bus<br>Convertible to Main Lugs (see below) or Lower Amperage Main Circuit Breaker (See Indoor, 1Ø, Main Lugs, page 1-3),<br>QOM1 Main Circuit Breaker Frame Size |        |                  |                      |                              |                                           |         |                                |                                                  |              |  |
|         | 100 A                                                                                                                                                                                                                                                                      | 24     | 24               | 0                    | QO124M100PRB                 | —                                         | —       | 6–2/0                          | PK15GTA                                          | 4R           |  |
|         | Convertible Mains — Factory-Installed Main Circuit Breaker — 22 kA Short Circuit Current Rating — Copper Bus<br>Convertible to Main Lugs (see below) or Lower Amperage Main Circuit Breaker (See Indoor, 1Ø, Main Lugs, page 1-3),<br>QOM2 Main Circuit Breaker Frame Size |        |                  |                      |                              |                                           |         |                                |                                                  |              |  |
|         | 150 A                                                                                                                                                                                                                                                                      | 30     | 30               | 0                    | QO130M150PRB                 | —                                         | —       | 4–250                          | PK18GTA                                          | 6R           |  |
|         | 200 A                                                                                                                                                                                                                                                                      | 30     | 30               | 0                    | QO130M200PRB                 | —                                         | —       |                                | PK18GTA                                          | 6R           |  |
|         |                                                                                                                                                                                                                                                                            | 42     | 42               | 0                    | QO142M200PRB                 | —                                         | —       |                                | PK23GTA                                          | 8R           |  |



[28] Do not exceed the load center mains rating.  
 [29] Wire range listed for QOL lug kits is the wire range of that lug. To find out maximum wire size permitted in a particular load center per UL, see Tables in QO™ Load Centers, page 1-7 and QO™ and Homeline™ Load Centers and Circuit Breakers, page 1-13 under main wire size.  
 [30] If main circuit breaker knockout has been removed from the load center's trim, order appropriate filler plate from Table 1.51, page 1-19  
 [31] Any catalog number containing the suffix 'G', ground bar factory is included. In addition to LK100AN where listed.  
 [32] See Indoor Knockout Information and Enclosure Dimensions, page 1-23  
 [33] Flush cover without a door is included. Door kit available separately, order QOCDK60.

**1Ø3W—120/240 Vac—UL Listed  
Main Lugs and Main Circuit Breakers**

**Table 1.7: Main Lugs (Accepts Only QO Plug-On Circuit Breakers.)**

| Mains Rating                                                                                  | Spaces | Max. Single Pole Circuits [34] | Max. Tandem Circuit Breakers | Load Center Box and Interior | Main Wire Size AWG/kcmil |        | Equipment Ground Bar Kit (Order Separately) | Box No. [35] |
|-----------------------------------------------------------------------------------------------|--------|--------------------------------|------------------------------|------------------------------|--------------------------|--------|---------------------------------------------|--------------|
|                                                                                               |        |                                |                              |                              | Al                       | Cu     |                                             |              |
| <b>Non-Metallic Enclosure</b>                                                                 |        |                                |                              |                              |                          |        |                                             |              |
| Fixed Mains—Factory-installed Main Lugs—10 kA Short Circuit Current Rating                    |        |                                |                              |                              |                          |        |                                             |              |
| 60 A                                                                                          | 2      | 4                              | 2                            | QO24L60NRNM                  | 14-4                     | 14-4   | Factory-installed                           | 1NM          |
| <b>Metallic Enclosure</b>                                                                     |        |                                |                              |                              |                          |        |                                             |              |
| Fixed Mains—Factory-installed Main Lugs—10 kA Short Circuit Current Rating                    |        |                                |                              |                              |                          |        |                                             |              |
| 40 A                                                                                          | 2      | 2                              | 0                            | QO2L40RB [36]                | 12-6                     | 14-6   | PK3GTA1                                     | 1R           |
| 70 A                                                                                          | 2      | 4                              | 2                            | QO24L70RB [36]               | 12-3                     | 14-4   | PK4GTA                                      | 1R           |
| 100 A                                                                                         | 6      | 12                             | 6                            | QO612L100RB [37]             | 8-1                      |        | PK7GTA                                      | 2R           |
|                                                                                               | 6      | 12                             | 6                            | QO612L100TRB [37]            |                          |        | Factory-installed                           | 2R           |
|                                                                                               | 8      | 16                             | 8                            | QO816L100RB [37]             |                          |        | PK7GTA                                      | 2R           |
|                                                                                               | 6      | 12                             | 6                            | QO612L100RBCU [37] [38]      |                          |        | PK7GTA                                      | 2R           |
|                                                                                               | 8      | 16                             | 8                            | QO816L100RBCU [37] [38]      |                          |        | PK7GTA                                      | 2R           |
| 125 A                                                                                         | 4      | 8                              | 4                            | QO148L125GRB [38]            | 12-2/0                   | 14-2/0 | PK7GTA Factory-included                     | 15R          |
| <b>Convertible Mains—Factory-installed Main Lugs—65 kA Short Circuit Current [39][40][41]</b> |        |                                |                              |                              |                          |        |                                             |              |
| <b>QOM1 Main Frame Size—Convertible to Main Circuit Breaker—Copper Bus</b>                    |        |                                |                              |                              |                          |        |                                             |              |
| 125 A                                                                                         | 12     | 12                             | 0                            | QO112L125GRB                 | 6-2/0                    |        | PK9GTA Factory-included                     | 3R           |
|                                                                                               | 12     | 24                             | 12                           | QO11224L125GRB               |                          |        | PK15GTA Factory-included                    | 3R           |
|                                                                                               | 16     | 24                             | 8                            | QO11624L125GRB               |                          |        | PK15GTA Factory-included                    | 4R           |
|                                                                                               | 24     | 24                             | 0                            | QO124L125GRB                 |                          |        | PK15GTA Factory-included                    | 4R           |
| <b>Convertible Mains—Factory-installed Main Lugs—65 kA Short Circuit Current [39][40][41]</b> |        |                                |                              |                              |                          |        |                                             |              |
| <b>QOM2 Main Frame Size—Convertible to Main Circuit Breaker—Copper Bus</b>                    |        |                                |                              |                              |                          |        |                                             |              |
| 150 A                                                                                         | 30     | 30                             | 0                            | QO130L150GRB                 | 4-250                    |        | PK23GTA, LK100AN Factory-included           | 6R           |
| 200 A                                                                                         | 12     | 12                             | 0                            | QO112L200GRB                 | 4-250                    |        | PK9GTA Factory-included                     | 5R           |
|                                                                                               | 30     | 30                             | 0                            | QO130L200GRB                 |                          |        | PK23GTA, LK100AN Factory-included           | 6R           |
|                                                                                               | 30     | 40                             | 10                           | QO13040L200GRB               |                          |        | PK23GTA, LK100AN Factory-included           | 6R           |
|                                                                                               | 40     | 40                             | 0                            | QO140L200GRB                 |                          |        | PK23GTA, LK100AN Factory-included           | 7R           |
|                                                                                               | 40     | 60                             | 20                           | QO14060L200GRB               |                          |        | (2) PK15GTA Factory-included                | 7R           |
|                                                                                               | 42     | 52                             | 10                           | QO14252L200GRB               |                          |        | (2) PK15GTA Factory-included                | 8R           |
| 225 A                                                                                         | 42     | 42                             | 0                            | QO142L225GRB                 | 4-300                    |        | PK23GTA, LK100AN Factory-included           | 8R           |

**Table 1.8: Main Circuit Breaker (Accepts Only QO Plug-On Circuit Breakers.)**

| Mains Rating                                                                                                                                                                                                                                                                                       | Spaces | Max. Single Pole Circuits [34] | Max. Tandem Circuit Breakers | Load Center Box and Interior | Main Wire Size AWG/kcmil Al or Cu | Equipment Ground Bar Kit (Order Separately) | Box No. [35] |                                                                                                      |
|----------------------------------------------------------------------------------------------------------------------------------------------------------------------------------------------------------------------------------------------------------------------------------------------------|--------|--------------------------------|------------------------------|------------------------------|-----------------------------------|---------------------------------------------|--------------|------------------------------------------------------------------------------------------------------|
|                                                                                                                                                                                                                                                                                                    |        |                                |                              |                              |                                   |                                             |              | <b>Convertible Mains —Factory-installed Main Circuit Breaker, 22 kA Short Circuit Current Rating</b> |
| Convertible to Main Lugs (see 1Ø3W—120/240 Vac—UL Listed Main Circuit Breaker, page 1-4) or Lower Amperage Main Circuit Breaker (see 1Ø3W—120/240 Vac—UL Listed Main Lugs, page 1-3) [41][42]                                                                                                      |        |                                |                              |                              |                                   |                                             |              |                                                                                                      |
| <b>QOM1 Main Circuit Breaker Frame Size—Copper Bus</b>                                                                                                                                                                                                                                             |        |                                |                              |                              |                                   |                                             |              |                                                                                                      |
| 100 A                                                                                                                                                                                                                                                                                              | 12     | 12                             | 0                            | QO112M100RB                  | 6-2/0                             |                                             | PK9GTA       | 3R                                                                                                   |
|                                                                                                                                                                                                                                                                                                    | 16     | 16                             | 0                            | QO116M100RB                  |                                   |                                             | PK12GTA      | 4R                                                                                                   |
|                                                                                                                                                                                                                                                                                                    | 20     | 20                             | 0                            | QO120M100RB                  |                                   |                                             | PK15GTA      | 4R                                                                                                   |
| 125 A                                                                                                                                                                                                                                                                                              | 24     | 24                             | 0                            | QO124M125RB                  | 6-2/0                             |                                             | PK15GTA      | 4R                                                                                                   |
| <b>Convertible Mains —Factory-installed Main Circuit Breaker, 22 kA Short Circuit Current Rating Convertible to Main Lugs (see 1Ø3W—120/240 Vac—UL Listed Main Circuit Breaker, page 1-4) or Lower Amperage Main Circuit Breaker (see 1Ø3W—120/240 Vac—UL Listed Main Lugs, page 1-3) [41][42]</b> |        |                                |                              |                              |                                   |                                             |              |                                                                                                      |
| <b>QOM2 Main Circuit Breaker Frame Size—Copper Bus</b>                                                                                                                                                                                                                                             |        |                                |                              |                              |                                   |                                             |              |                                                                                                      |
| 150 A                                                                                                                                                                                                                                                                                              | 20     | 30                             | 10                           | QO12030M150RB                | 4-250                             |                                             | PK18GTA      | 5R                                                                                                   |
| 200 A                                                                                                                                                                                                                                                                                              | 30     | 30                             | 0                            | QO130M150RB                  | 4-250                             |                                             | PK18GTA      | 6R                                                                                                   |
|                                                                                                                                                                                                                                                                                                    | 20     | 40                             | 20                           | QO12040M200RB                |                                   |                                             | PK23GTA      | 5R                                                                                                   |
|                                                                                                                                                                                                                                                                                                    | 30     | 30                             | 0                            | QO130M200RB                  |                                   |                                             | PK18GTA      | 6R                                                                                                   |
|                                                                                                                                                                                                                                                                                                    | 30     | 40                             | 10                           | QO13040M200GRB               |                                   |                                             | PK23GTA      | 6R                                                                                                   |
|                                                                                                                                                                                                                                                                                                    | 40     | 40                             | 0                            | QO140M200RB                  |                                   |                                             | PK23GTA      | 7R                                                                                                   |
|                                                                                                                                                                                                                                                                                                    | 40     | 60                             | 20                           | QO14060M200RB                |                                   |                                             | PK15GTA      | 7R                                                                                                   |
|                                                                                                                                                                                                                                                                                                    | 42     | 42                             | 0                            | QO142M200RB                  |                                   |                                             | PK23GTA      | 8R                                                                                                   |
|                                                                                                                                                                                                                                                                                                    | 42     | 52                             | 10                           | QO14252M200RB                |                                   |                                             | PK15GTA      | 8R                                                                                                   |
| 225 A                                                                                                                                                                                                                                                                                              | 42     | 42                             | 0                            | QO142M225RB                  | 4-300                             |                                             | PK23GTA      | 8R                                                                                                   |
| <b>Convertible Mains—Factory-installed Main Circuit Breaker, 22 kA Short Circuit Current Rating</b>                                                                                                                                                                                                |        |                                |                              |                              |                                   |                                             |              |                                                                                                      |
| Convertible to Main Lugs (see 1Ø3W—120/240 Vac—UL Listed Main Circuit Breaker, page 1-4) or Lower Amperage Main Circuit Breaker (see 1Ø3W—120/240 Vac—UL Listed Main Lugs, page 1-3) [41][42]                                                                                                      |        |                                |                              |                              |                                   |                                             |              |                                                                                                      |
| <b>QOM1 or QOM2 Main Circuit Breaker Frame Size—Copper Bus</b>                                                                                                                                                                                                                                     |        |                                |                              |                              |                                   |                                             |              |                                                                                                      |
| 125 A                                                                                                                                                                                                                                                                                              | 6      | 12                             | 6                            | QO1612M125FTRB [43]          | 4-2/0                             |                                             | PK12GTA      | 3R                                                                                                   |
| 150 A                                                                                                                                                                                                                                                                                              | 8      | 16                             | 8                            | QO1816M150FTRB [43]          | 4-250                             |                                             | PK15GTA-L    | 6R                                                                                                   |
| 200 A                                                                                                                                                                                                                                                                                              | 8      | 16                             | 8                            | QO1816M200FTRB [43]          | 4-250                             |                                             | PK15GTA-L    | 6R                                                                                                   |

Above listings through 200 A mains rating meet Federal Specification W-P-115c as Type 1, Class 2.

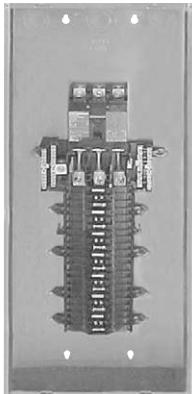
[34] Maximum single pole branch circuits utilizing QO and/or QOT circuit breakers.  
 [35] See Table 1.54 Enclosure Dimensions, page 1-24/Indoor Knockout Information and Enclosure Dimensions, page 1-23  
 [36] Use 10 AWG maximum size wire for GFI and AFI circuit breakers.  
 [37] 70 A Max. branch circuit breaker and 70 A max. back fed main circuit breaker.  
 [38] Copper bus.  
 [39] UL short circuit current rating depends on lowest interrupting rating of circuit breaker installed.  
 [40] UL Listed 5000 A short circuit current rating for corner grounded Delta systems. Use QO-H circuit breakers only.  
 [41] Side hinge door device; allow 1-1/4 in. on left side for door to open.  
 [42] 22 k AIR main circuit breaker UL Listed for use ahead of QO, QOT, QO-GFI, QO-AFI, QO-EPD and QOPL 10 k AIR branch circuit breakers to permit their application on systems up to 22 kA available fault current.  
 [43] QO1612M125FTRB provided with QOM1 frame main circuit breaker. QO1816M150FTRB and QO1816M200FTRB provided with QOM2 frame main circuit breaker.

**3Ø4W—208Y/120 Vac, 3Ø4W—240/120 Vac Delta and 3Ø3W—240 Vac Delta—UL Listed**

**Table 1.9: Main Lugs and Main Breakers (Accepts Only QO Plug-On Circuit Breakers)**

| Mains Rating                                                                                                                | Max. Number of 1P QO circuit breakers                                                                  | Load Center Box and Interior<br>Cat. No. | Indoor Cover with Door (Order Separately) |                                           | Main Wire Size AWG/kcmil |       | Equipment Ground Bar Kit (Order Separately) | Box No. See Pages 1-17, 1-18 |                    |     |
|-----------------------------------------------------------------------------------------------------------------------------|--------------------------------------------------------------------------------------------------------|------------------------------------------|-------------------------------------------|-------------------------------------------|--------------------------|-------|---------------------------------------------|------------------------------|--------------------|-----|
|                                                                                                                             |                                                                                                        |                                          | Flush                                     | Surface                                   | Al                       | Cu    |                                             |                              |                    |     |
| <b>Fixed Mains—Factory-installed Main Lugs—Copper Bus—65 kA Short Circuit Current Rating [44]</b>                           |                                                                                                        |                                          |                                           |                                           |                          |       |                                             |                              |                    |     |
| INDOOR                                                                                                                      | 60 A                                                                                                   | 3                                        | QO403L60NF/S                              | Cover Included With Load Center (No Door) |                          | —     | 10–6                                        | PK4GTA                       | 13                 |     |
|                                                                                                                             | 125 A                                                                                                  | 12                                       | QO312L125G [45]                           | QOC16UF                                   | QOC16US                  | 6–2/0 | 6–2/0                                       | Factory-incl. [46]           | 6                  |     |
|                                                                                                                             |                                                                                                        | 20                                       | QO320L125G [45]                           | QOC24UF                                   | QOC24US                  |       |                                             | Factory-incl. [46]           | 7                  |     |
|                                                                                                                             |                                                                                                        | 24                                       | QO324L125G [45]                           | QOC24UF                                   | QOC24US                  |       |                                             | Factory-incl. [46]           | 7                  |     |
| 200 A                                                                                                                       | 18                                                                                                     | QO318L200G [45]                          | QOC30UF                                   | QOC30US                                   | 6–250                    | 6–250 | Factory-incl. [47]                          | 9                            |                    |     |
|                                                                                                                             | 30                                                                                                     | QO330L200G [45]                          | QOC30UF                                   | QOC30US                                   |                          |       | Factory-incl. [47]                          | 9                            |                    |     |
| 225 A                                                                                                                       | 42                                                                                                     | QO342L225G [45]                          | QOC42UF                                   | QOC42US                                   | 6–300                    | 6–300 | Factory-incl. [47]                          | 11                           |                    |     |
| <b>Convertible Mains—Factory-installed QDL Main Circuit Breaker—Copper Bus—25 kA Short Circuit Current Rating [48]</b>      |                                                                                                        |                                          |                                           |                                           |                          |       |                                             |                              |                    |     |
| INDOOR                                                                                                                      | 100 A                                                                                                  | 27                                       | QO327M100 [49]                            | QOC30UF                                   | QOC30US                  | 4–2/0 | 4–2/0                                       | PK15GTA                      | 9                  |     |
|                                                                                                                             | 125 A                                                                                                  | 30                                       | QO330MQ125 [50] [45]                      | QOC342MQF                                 | QOC342MQS                | 4–300 | 4–300                                       | PK18GTA                      | 12                 |     |
|                                                                                                                             |                                                                                                        | 30                                       | QO330MQ150 [50] [45]                      | QOC342MQF                                 | QOC342MQS                |       |                                             | PK18GTA                      | 12                 |     |
|                                                                                                                             | 150 A                                                                                                  | 42                                       | QO342MQ150 [50] [45]                      | QOC342MQF                                 | QOC342MQS                | 4–300 | 4–300                                       | PK23GTA                      | 12                 |     |
|                                                                                                                             |                                                                                                        | 30                                       | QO330MQ200 [50] [45]                      | QOC342MQF                                 | QOC342MQS                |       |                                             | PK18GTA                      | 12                 |     |
|                                                                                                                             | 200 A                                                                                                  | 42                                       | QO342MQ200 [50] [45]                      | QOC342MQF                                 | QOC342MQS                | 4–300 | 4–300                                       | PK23GTA                      | 12                 |     |
|                                                                                                                             |                                                                                                        | 30                                       | QO330MQ225 [50] [45]                      | QOC342MQF                                 | QOC342MQS                |       |                                             | PK23GTA                      | 12                 |     |
|                                                                                                                             | <b>Fixed Mains—Factory-installed Main Lugs—Copper Bus—65 kA Short Circuit Current Rating [44] [51]</b> |                                          |                                           |                                           |                          |       |                                             |                              |                    |     |
|                                                                                                                             | RAINDROOF                                                                                              | 60 A                                     | 3                                         | QO403L60NRB                               | Cover Included           |       | —                                           | 10–6                         | PK4GTA             | 10R |
|                                                                                                                             |                                                                                                        | 125 A                                    | 12                                        | QO312L125GRB                              |                          |       | 6–2/0                                       | 6–2/0                        | Factory Incl. [46] | 3R  |
| 20                                                                                                                          |                                                                                                        |                                          | QO320L125GRB                              | 6–250                                     |                          |       | 6–250                                       | Factory Incl. [47]           | 6R                 |     |
| 200 A                                                                                                                       |                                                                                                        | 18                                       | QO318L200GRB                              | 6–300                                     |                          |       | 6–300                                       | Factory Incl. [47]           | 6R                 |     |
|                                                                                                                             |                                                                                                        | 30                                       | QO330L200GRB                              | 6–300                                     |                          |       | 6–300                                       | Factory Incl. [47]           | 8R                 |     |
| 225 A                                                                                                                       | 42                                                                                                     | QO342L225GRB                             | 4–2/0                                     | 4–2/0                                     | PK15GTA                  | 6R    |                                             |                              |                    |     |
| <b>Convertible Mains—Factory-installed QDL Main Circuit Breaker—Copper Bus—25 kA Short Circuit Current Rating [48] [51]</b> |                                                                                                        |                                          |                                           |                                           |                          |       |                                             |                              |                    |     |
| RAINDROOF                                                                                                                   | 100 A                                                                                                  | 27                                       | QO327M100RB [49]                          | Cover Included                            |                          | 4–2/0 | 4–2/0                                       | PK15GTA                      | 6R                 |     |
|                                                                                                                             | 125 A                                                                                                  | 30                                       | QO330MQ125RB [50]                         |                                           |                          | 4–300 | 4–300                                       | PK18GTA                      | 14R                |     |
|                                                                                                                             |                                                                                                        | 30                                       | QO330MQ150RB [50]                         |                                           |                          | 4–300 | 4–300                                       | PK18GTA                      | 14R                |     |
|                                                                                                                             | 200 A                                                                                                  | 30                                       | QO330MQ200RB [50]                         |                                           |                          | 4–300 | 4–300                                       | PK18GTA                      | 14R                |     |
|                                                                                                                             |                                                                                                        | 42                                       | QO342MQ200RB [50]                         |                                           |                          | 4–300 | 4–300                                       | PK23GTA                      | 14R                |     |
|                                                                                                                             | 225 A                                                                                                  | 42                                       | QO342MQ225RB [50]                         |                                           |                          | 4–300 | 4–300                                       | PK23GTA                      | 14R                |     |

Above listings through 200 A mains rating meet Federal Specification W-P-115C as Type 1, Class 2.



QO342MQ200



QO312L125G

**Table 1.10: 3Ø, Main Circuit Breakers**

| Amperage                                                                                                                                                      | 25 k AIR | 65 k AIR | 100 k AIR [52] |
|---------------------------------------------------------------------------------------------------------------------------------------------------------------|----------|----------|----------------|
| <b>Field-installed alternate main circuit breakers for QO 3Ø main circuit breaker load centers rated 70–225 A. Do not exceed the load center main rating.</b> |          |          |                |
| 70 A                                                                                                                                                          | QDL32070 | QGL32070 | QJL32070       |
| 80 A                                                                                                                                                          | QDL32080 | QGL32080 | QJL32080       |
| 90 A                                                                                                                                                          | QDL32090 | QGL32090 | QJL32090       |
| 100 A                                                                                                                                                         | QDL32100 | QGL32100 | QJL32100       |
| 110 A                                                                                                                                                         | QDL32110 | QGL32110 | QJL32110       |
| 125 A                                                                                                                                                         | QDL32125 | QGL32125 | QJL32125       |
| 150 A                                                                                                                                                         | QDL32150 | QGL32150 | QJL32150       |
| 175 A                                                                                                                                                         | QDL32175 | QGL32175 | QJL32175       |
| 200 A                                                                                                                                                         | QDL32200 | QGL32200 | QJL32200       |
| 225 A                                                                                                                                                         | QDL32225 | QGL32225 | QJL32225       |

**Table 1.11: 3Ø, Main Lugs Kits**

| Main Lugs Amperage Rating                                                             | Cat. No. | Lug Wire Size AWG/kcmil |
|---------------------------------------------------------------------------------------|----------|-------------------------|
| <b>Field-installed main lugs for convertible 3Ø main circuit breaker load centers</b> |          |                         |
| 125 A                                                                                 | QOL3125  | 6–2/0 Cu/Al             |
| 225 A                                                                                 | QOL3225  | 6–300 Cu/Al             |

[44] UL short circuit current rating depends on lowest interrupting rating of circuit breaker installed.

[45] For Certification to IEC 60439-1 contact the local Square D sales office; otherwise panels are **NOT** CE marked. (For use on 415Y/240 Vac 3-phase 4-wire, 3,000 Short Circuit Current Rating when QOXD...branch circuit breakers are used and 10,000 Short Circuit Current Rating when QO...VS branch circuit breakers are used).

[46] PK15GTA.

[47] PK23GTA and LK100AN.

[48] 25 kA short circuit current rating SCCR maximum with Square D Type QDL main circuit breaker, or 22 kA SCCR maximum with back-fed Type QO-VH main circuit breaker, feeding QO 10 k AIR branch circuit breakers.

[49] Includes factory-installed back fed QO3100VH main circuit breaker.

[50] 65 kA Short Circuit Current Rating maximum with field-installed Square D type QGL 65 k AIR minimum main circuit breaker feeding QO and Q1 10 k AIR minimum branch circuit breakers.

[51] Side hinge door device allow 1-1/4 in. on left side for door to open.

[52] When these 3P circuit breakers are used as the main circuit breaker of a 3Ø load center, the maximum AIR rating is 65 kA at 240 Vac and 100 kA at 208 Vac.

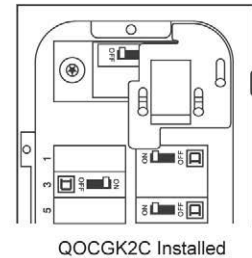
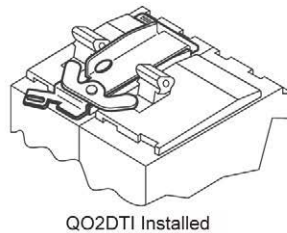
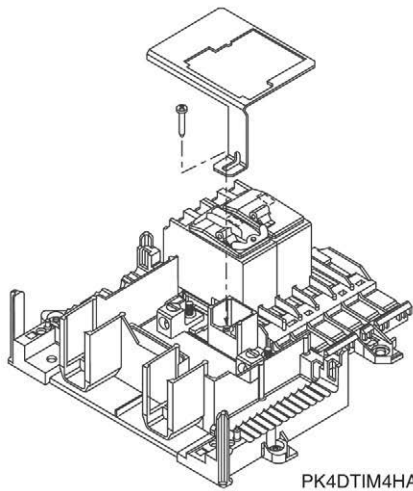
1Ø3W—120/240 Vac—UL Listed Backup Power Solutions

Table 1.12: Backup Power Solutions (Accept Only QO Plug-On Circuit Breakers.)

|                                                                                                                       | Mains Rating (A)                                                                                     | Spac- es | Max. Single Pole Circuits [53] | Max. Tandem Circuit Breakers | Load Center Box, Interior and Cover | Equipment Grounding Bar Kit (Order Separately) | Main Wire Size AWG/kcmil |       | Box No. [54] |
|-----------------------------------------------------------------------------------------------------------------------|------------------------------------------------------------------------------------------------------|----------|--------------------------------|------------------------------|-------------------------------------|------------------------------------------------|--------------------------|-------|--------------|
|                                                                                                                       |                                                                                                      |          |                                |                              |                                     |                                                | Al                       | Cu    |              |
| INDOOR RAINPROOF                                                                                                      | Generator Panels—Manual Transfer for Sub-Feed Applications NEMA 1 (Indoor)                           |          |                                |                              |                                     |                                                |                          |       |              |
|                                                                                                                       | Factory-Installed Main Circuit Breakers with Mechanical Interlock—10 kA Short Circuit Current Rating |          |                                |                              |                                     |                                                |                          |       |              |
|                                                                                                                       | 30                                                                                                   | 4        | 8                              | 4                            | QO48M30DSGP                         | PK7GTA                                         | 14–8                     | 14–8  | 4            |
|                                                                                                                       | 60                                                                                                   | 4        | 8                              | 4                            | QO48M60DSGP                         |                                                | 8–2                      | 8–2   | 4            |
| Generator Panels—Manual Transfer with Generator Power Inlet Plug for Sub-Feed Applications NEMA 3R (Outdoor)          |                                                                                                      |          |                                |                              |                                     |                                                |                          |       |              |
| Factory-Installed Main Circuit Breakers with Mechanical Interlock—10 kA Short Circuit Current Rating                  |                                                                                                      |          |                                |                              |                                     |                                                |                          |       |              |
| INDOOR RAINPROOF                                                                                                      | 100                                                                                                  | 4        | 8                              | 4                            | QO1DM10020TRBR                      | Factory-Installed                              | —                        | 8–2   | 17R          |
|                                                                                                                       |                                                                                                      | 4        | 8                              | 4                            | QO1DM10030TRBR                      |                                                | —                        |       | 17R          |
|                                                                                                                       |                                                                                                      | 4        | 8                              | 4                            | QO1DM10050TRBR                      |                                                | —                        |       | 17R          |
| Generator Panel—Automatic Transfer Switch (Contact your local Square D Field Sales office for more information.) [55] |                                                                                                      |          |                                |                              |                                     |                                                |                          |       |              |
| Factory- or Field-Installed Main Circuit Breaker—22 kA Short Circuit Current Rating                                   |                                                                                                      |          |                                |                              |                                     |                                                |                          |       |              |
| INDOOR RAINPROOF                                                                                                      | 150                                                                                                  | 38       | 42                             | 42                           | QO13842MX150                        | PK23GTA                                        | 4–250                    | 4–250 | 12           |
|                                                                                                                       | 200                                                                                                  | 38       | 42                             | 42                           | QO13842MX200                        | PK23GTA                                        | 4–250                    | 4–250 | 12           |
|                                                                                                                       | 225                                                                                                  | 38       | 42                             | 42                           | QO13842MX225                        | PK23GTA                                        | 4–250                    | 4–250 | 12           |
|                                                                                                                       |                                                                                                      | 38       | 42                             | 42                           | QO13842UX225 [56]                   |                                                | 4–250                    | 4–250 | 12           |
|                                                                                                                       |                                                                                                      |          |                                |                              | QOC38MXUF (Cover)                   | —                                              |                          |       |              |
| 3R                                                                                                                    | 150                                                                                                  | 14       | 28                             | 28                           | QO11428MX150FTRB [57] [58]          | PK23GTA                                        | 4–250                    | 4–250 | 7R           |
|                                                                                                                       | 200                                                                                                  | 14       | 28                             | 28                           | QO11428MX200FTRB [57] [58]          | PK23GTA                                        | 4–250                    | 4–250 | 7R           |
|                                                                                                                       |                                                                                                      | 14       | 28                             | 28                           | QO11428UX200FTRB [56] [57] [58]     | PK23GTA                                        | 4–250                    | 4–250 | 7R           |

Table 1.13: QO Load Center Manual Power Transfer Accessories

|                                         | Description                                                                                                                                                                                                                                   | Cat. No.    | Schedule |
|-----------------------------------------|-----------------------------------------------------------------------------------------------------------------------------------------------------------------------------------------------------------------------------------------------|-------------|----------|
| Manual Transfer Equipment Kit           | For interlocking the handles of two 2P or one 2P and one 1P QO and Q1 circuit breakers mounted side-by-side so that only one circuit breaker can be "ON" at a time.                                                                           | QO2DTI      | DE2E     |
|                                         | QO2DTI mechanical interlock attachment with retaining kits for securing two adjacent back-fed circuit breakers in dual power supply applications. Can be used with (2) 2P or (1) 2P and (1) 1P QO circuit breakers in QO816L100 load centers. | QO2DTIM     | DE2E     |
|                                         | Secures two 2P circuit breakers to right side of interior when used as back-fed mains, a QO2DTI Kit included for back-up power supply applications. For 1Ø 100–125 ampere convertible main load centers. Series S01 and S02.                  | PK4DTIM4LA  | DE3A     |
|                                         | Secures two 2P circuit breakers to right side of interior when used as back-fed mains, a QO2DTI Kit included for back-up power supply applications. For 1Ø 150–225 ampere convertible main load centers. Series S01 and S02.                  | PK4DTIM4HA  | DE3A     |
|                                         | Secures two 2P circuit breakers to left side of interior when used as back-fed mains, a QO2DTI Kit included for back-up power supply applications. For 1Ø 100–125 ampere convertible main load centers. Series S01 and S02.                   | PK4DTIM4LAL | DE3A     |
| Generator Circuit Breaker Interlock Kit | For use on "G" and "S" Series NEMA 1 and "G", "S1" and "S2" Series NEMA 3R load centers. Interlocks a QOM1 2P main circuit breaker of a load center (100–125 A) with a QO 2P (15–125 A) branch circuit breaker. Includes a retaining kit.     | QOCRBGK1C   | DE3A     |
|                                         | For use on "G" and "S" Series NEMA 1 and "G" and "S1" Series NEMA 3R load centers. Interlocks a QOM2 2P main circuit breaker of a load center (150–225 A) with a QO 2P (15–125 A) branch circuit breaker. Includes a retaining kit.           | QOCGK2C     | DE3A     |
|                                         | For use on "S2" Series NEMA 3R load centers. Interlocks a QOM2 2P main circuit breaker of a load center (150–225 A) with a QO 2P (15–125 A) branch circuit breaker. Includes a retaining kit.                                                 | QORBKGK2C   | DE3A     |



[53] Maximum single pole branch circuits utilizing QO and/or QOT circuit breakers.

[54] See Indoor Knockout Information and Enclosure Dimensions, page 1-23 or Rainproof, Dimensions, Knockouts and Bolt-on Hubs, page 1-24

[55] One main circuit breaker is included with panel. NEMA 1 indoor device requires cover ordered separately. Alternate source main circuit breaker (QO 125 A max.) ordered separately. Automatic Transfer Switch and Generator for secondary power source are ordered through a Kohler authorized dealer or contractor.

[56] Universal mains – No factory-installed main circuit breaker or main lugs. QOM2 frame size, field-install 22 k AIR. Main circuit breaker or main lugs (see Table 1.10 3Ø, Main Circuit Breakers, page 1-7 and Table 1.11 3Ø, Main Lugs Kits, page 1-7.

[57] Supplied with feed-thru lugs.

[58] Device is rated NEMA 3R and can be used for indoor or outdoor applications.

**1Ø2W—120Vac—1Ø3W—120/240 Vac—UL Listed**

**Table 1.14: QO Special Application (Accepts Only QO Plug-On Circuit Breakers.)**

|        | Mains Rating                                                                                                                                                                                       | Short Circuit Current Rating | Spaces | Max. 1P Circuits [59] | Max. Tandem Circuit Breakers | Load Center [60] Box, Interior, and Cover | Equipment Ground Bar Kit (Order Separately) | Main Wire Size AWG/kcmil |       | Box No. [61] |   |
|--------|----------------------------------------------------------------------------------------------------------------------------------------------------------------------------------------------------|------------------------------|--------|-----------------------|------------------------------|-------------------------------------------|---------------------------------------------|--------------------------|-------|--------------|---|
|        |                                                                                                                                                                                                    |                              |        |                       |                              |                                           |                                             | Al                       | Cu    |              |   |
| INDOOR | <b>Manufactured Housing: 1Ø2W 120 Vac—Main Lugs Only—CSA Certified</b>                                                                                                                             |                              |        |                       |                              |                                           |                                             |                          |       |              |   |
|        | 30 A [62]                                                                                                                                                                                          | 10 kA                        | 2      | 2                     | 0                            | QO2L30TTS [63]                            | Factory-installed                           | 12–10                    | 14–10 | 1            |   |
|        | 50 A                                                                                                                                                                                               | 10 kA                        | 2      | 4                     | 2                            | QO24L50TTS [64]                           |                                             | —                        | 14–6  | 2            |   |
|        | <b>1Ø2W 120 Vac—Main Circuit Breaker—CSA Certified</b>                                                                                                                                             |                              |        |                       |                              |                                           |                                             |                          |       |              |   |
|        | 30 A                                                                                                                                                                                               | 10 kA                        | 3      | 5                     | 2                            | QO35FM30TTF/S                             | Factory-installed                           | [65]                     |       | 3            |   |
|        | <b>1Ø3W 120/240 Vac—Main Lugs Only—CSA Certified</b>                                                                                                                                               |                              |        |                       |                              |                                           |                                             |                          |       |              |   |
|        | 70 A                                                                                                                                                                                               | 10 kA                        | 2      | 4                     | 2                            | QO24L70TS [64]                            | Factory Installed                           | 12–3                     | 14–4  | 2            |   |
|        | 100 A                                                                                                                                                                                              | 10 kA                        | 6      | 12                    | 6                            | QO612L100TF/S [66]                        |                                             | 4–1                      |       |              | 4 |
|        |                                                                                                                                                                                                    |                              | 6      | 12                    | 6                            | QO612L100DTF/S [66]                       |                                             |                          |       |              | 4 |
|        |                                                                                                                                                                                                    |                              | 8      | 16                    | 8                            | QO816L100TF/S [66]                        |                                             |                          |       |              | 4 |
|        |                                                                                                                                                                                                    |                              | 8      | 16                    | 8                            | QO816L100DTF/S [66]                       | 4                                           |                          |       |              |   |
|        | <b>Load Center with Cover: 1Ø3W 120/240 Vac—UL Listed Complete QO Load Center—Box, Interior and Combination Cover in One Package</b>                                                               |                              |        |                       |                              |                                           |                                             |                          |       |              |   |
|        | <b>Convertible Mains—Factory-Installed Main Lugs [67]—QOM1 Main Frame Size—Convertible to Main Circuit Breaker (See page 1-4)—Copper Bus</b>                                                       |                              |        |                       |                              |                                           |                                             |                          |       |              |   |
|        | 125 A                                                                                                                                                                                              | 65 kA                        | 12     | 12                    | 0                            | QO112L125GC                               | PK12GTA Incl.                               | 6–2/0                    |       | 6            |   |
|        |                                                                                                                                                                                                    | 65 kA                        | 12     | 24                    | 12                           | QO11224L125GC                             | PK15GTA Incl.                               | 6–2/0                    |       | 6            |   |
|        |                                                                                                                                                                                                    | 65 kA                        | 20     | 20                    | 0                            | QO120L125GC                               | PK15GTA Incl.                               | 6–2/0                    | 6–1   | 6            |   |
|        | <b>Convertible Mains—Factory-Installed Main Lugs [67]—QOM2 Main Frame Size—Convertible to Main Circuit Breaker (See page 1-4)—Copper Bus</b>                                                       |                              |        |                       |                              |                                           |                                             |                          |       |              |   |
|        | 150 A                                                                                                                                                                                              | 65 kA                        | 30     | 30                    | 0                            | QO130L150TC                               | PK23GTA, LK100AN Installed                  | 6–250                    |       | 9            |   |
|        | 200 A                                                                                                                                                                                              | 65 kA                        | 30     | 40                    | 10                           | QO13040L200GC                             | PK23GTA, LK100AN Incl.                      | 6–250                    |       | 9            |   |
|        | <b>Convertible Mains—Factory-Installed Main Circuit Breaker—QOM1 Main Frame Size—Convertible to Main Lugs (See page 1-5) or Lower Amperage Main Circuit Breaker (See page 1-4)—Copper Bus [68]</b> |                              |        |                       |                              |                                           |                                             |                          |       |              |   |
|        | 100 A                                                                                                                                                                                              | 22 kA                        | 12     | 12                    | 0                            | QO112M100C                                | PK9GTA                                      | 4–1/0                    |       | 5            |   |
|        |                                                                                                                                                                                                    | 22 kA                        | 12     | 20                    | 8                            | QO11220M100C                              | PK15GTA                                     | 4–1/0                    |       | 5            |   |
|        |                                                                                                                                                                                                    | 22 kA                        | 16     | 16                    | 0                            | QO116M100C                                | PK12GTA                                     | 4–1/0                    |       | 6            |   |
|        |                                                                                                                                                                                                    | 22 kA                        | 20     | 20                    | 0                            | QO120M100C                                | PK15GTA                                     | 4–1/0                    |       | 6            |   |
|        | 125 A                                                                                                                                                                                              | 22 kA                        | 32     | 32                    | 0                            | QO132M125C                                | PK18GTA                                     | 6–2/0                    |       | 8            |   |
|        | <b>Convertible Mains—Factory-Installed Main Circuit Breaker—QOM2 Main Frame Size—Convertible to Main Lugs (See page 1-5) or Lower Amperage Main Circuit Breaker (See page 1-4)—Copper Bus [68]</b> |                              |        |                       |                              |                                           |                                             |                          |       |              |   |
|        | 150 A                                                                                                                                                                                              | 22 kA                        | 20     | 30                    | 10                           | QO12030M150C                              | PK18GTA                                     | 4–250                    |       | 9            |   |
|        |                                                                                                                                                                                                    | 22 kA                        | 30     | 30                    | 0                            | QO130M150C                                | PK18GTA                                     | 4–250                    |       | 9            |   |
| 200 A  | 22 kA                                                                                                                                                                                              | 20                           | 40     | 20                    | QO12040M200C                 | PK23GTA                                   | 4–250                                       |                          | 9     |              |   |
|        | 22 kA                                                                                                                                                                                              | 30                           | 30     | 0                     | QO130M200C                   | PK18GTA                                   | 4–250                                       |                          | 9     |              |   |
|        | 22 kA                                                                                                                                                                                              | 30                           | 40     | 10                    | QO13040M200C                 | PK23GTA                                   | 4–250                                       |                          | 9     |              |   |
|        | 22 kA                                                                                                                                                                                              | 40                           | 40     | 0                     | QO140M200C                   | PK23GTA                                   | 4–250                                       |                          | 10    |              |   |

Above listings through 200 A mains rating meet Federal Specification W-P-115c as Type 1, Class 2.

**Table 1.15: Service Upgrade Load Centers: 1Ø3W 120/240Vac—UL Listed Load Center with Removable End Walls**

| INDOOR | <b>Convertible Mains—Factory-Installed Main Breaker—22KA QOM2 Main Frame Size—Convertible to Main Lugs or Lower Amperage Main Circuit Breaker (See page 1-8) [68]</b> |        |                       |                              |                              |                                               |         |                            |    |                                             |              |
|--------|-----------------------------------------------------------------------------------------------------------------------------------------------------------------------|--------|-----------------------|------------------------------|------------------------------|-----------------------------------------------|---------|----------------------------|----|---------------------------------------------|--------------|
|        | Mains Rating                                                                                                                                                          | Spaces | Max. 1P Circuits [59] | Max. Tandem Circuit Breakers | Load Center Box and Interior | Extra Long Cover with Door (Order Separately) |         | Main Wire Size AWG / kcmil |    | Equipment Ground Bar Kit (Order Separately) | Box No. [61] |
|        |                                                                                                                                                                       |        |                       |                              |                              | Flush                                         | Surface | Al                         | Cu |                                             |              |
| 200 A  | 30                                                                                                                                                                    | 60     | 30                    | 0                            | HOM3060M200PCEP [69]         | HOMC30UFL                                     | —       | 4-250                      |    | PK23GTA                                     | 10           |
|        | 40                                                                                                                                                                    | 40     | 0                     | 0                            | QO140M200EP [70]             | QOC40UFL                                      | —       |                            |    | PK23GTA                                     | 10           |

**Table 1.16: Auxiliary Gutter**

| Cat. No.                                                                                                                                                          | Cover | Conduit Riser Size       | Width | Height | Depth |
|-------------------------------------------------------------------------------------------------------------------------------------------------------------------|-------|--------------------------|-------|--------|-------|
| UL Listed for use with standard 1Ø and 3Ø load centers for riser applications [71]. For auxiliary gutter-load center compatibility, see catalog number 1100CT0501 |       |                          |       |        |       |
| SDAG26                                                                                                                                                            | Flush | 1-3/4, 2, 2-1/2 or [72]3 | 13.50 | 26.12  | 3.75  |

**Table 1.17: Tap Kits 120/240 Vac—UL Listed for use with Auxiliary Gutter SDAG26**

| Cat. No.                   | Use with Auxiliary Gutter Cat. No. | Riser Wire                           |                     | Tap Off Wire                         |                     |
|----------------------------|------------------------------------|--------------------------------------|---------------------|--------------------------------------|---------------------|
|                            |                                    | Lug Type                             | Al/Cu Wire Size     | Lug Type                             | Al/Cu Wire Size     |
| SDGT30020                  | SDAG26                             | Mechanical (Included)                | (2) 6 AWG–300 kcmil | Mechanical (Included)                | (1) 6–2/0 AWG       |
| SDGT300300                 | SDAG26                             | Mechanical (Included)                | (2) 6 AWG–300 kcmil | Mechanical (Included)                | (1) 6 AWG–300 kcmil |
| SDGT300C10C                | SDAG26                             | Anderson VCEL030516H1 (Not included) | (2) 4 AWG–300 kcmil | Anderson VCEL02114S1 (Not included)  | (1) 8–1/0 AWG       |
| SDGT300C300C               | SDAG26                             | Anderson VCEL030516H1 (Not included) | (2) 4 AWG–300 kcmil | Anderson VCEL030516H1 (Not included) | (1) 4 AWG–300 kcmil |
| QOGL20 Grounding Terminals | SDAG26                             | Mechanical (Included)                | (2) 6–2/0 AWG       | —                                    | —                   |

[59] Maximum single pole branch circuits utilizing QO and/or QOT circuit breakers.

[60] Order F for flush device or S for surface device.

[61] See Table 1.53 Knockout Information, page 1-23

[62] Mains rating 25 A when Al wire is used.

[63] Will not accept Qwik-Gard™ QO-GFI or QO-AFI circuit breaker.

[64] Use 10 AWG maximum size wire for GFI and AFI circuit breakers.

[65] Main circuit breaker is a field-installed standard QO single pole circuit breaker. Order separately from page 1-2, page 1-10.

[66] 70 A max. branch circuit breaker and 70 A max. back fed main circuit breaker.

[67] UL Listed 5000 A short circuit current rating for corner grounded Delta systems. Use QO-H circuit breakers only.

[68] 22 k AIR main circuit breaker UL Listed for use ahead of QO, QOT and QO-PL 10 k AIR branch circuit breakers to permit their application on systems with up to 22 kA available fault current.

[69] Ships with standard length cover.

[70] Copper Bus, order cover separately QOC40UF/S or QOC40UFL.

[71] One tap kit required for each riser wire.

[72] When used with B300 bolt-on hubs.

**QO Plug-On Circuit Breakers**

Square D brand QO miniature circuit breakers are plug-on products for use in QO load centers, NQOD and NQ panelboards, NQOD and NQ OEM interiors or Speed-D™ switchboard distribution panels. Bolt-on QOB circuit breakers are for use in NQOD and NQ panelboards or interiors. [1]

The Square D exclusive Qwik-Open™ mechanism, with a trip reaction within 1/60th of a second, is standard on all 1P 15 A and 20 A QO circuit breakers.

**Table 1.18: Plug-On Circuit Breakers**

| Amperes Rating [2]                    | 1P—120/240 Vac | 2P—120/240 Vac Common Trip | 2P—240 Vac [3] Common Trip | 3P—240 Vac Common Trip |
|---------------------------------------|----------------|----------------------------|----------------------------|------------------------|
| <b>10 k AIR</b>                       |                |                            |                            |                        |
| 10 A                                  | QO110          | QO210                      | —                          | QO310                  |
| 15 A                                  | QO115 [4] [5]  | QO215 [4]                  | QO215H                     | QO315 [4]              |
| 20 A                                  | QO120 [4] [5]  | QO220 [4]                  | QO220H                     | QO320 [4]              |
| 25 A                                  | QO125 [4]      | QO225 [4]                  | QO225H                     | QO325 [4]              |
| 30 A                                  | QO130 [4]      | QO230 [4]                  | QO230H                     | QO330 [4]              |
| 35 A                                  | QO135 [4]      | QO235 [4]                  | —                          | QO335 [4]              |
| 40 A                                  | QO140 [4]      | QO240 [4]                  | QO240H                     | QO340 [4]              |
| 45 A                                  | QO145 [4]      | QO245 [4]                  | —                          | QO345 [4]              |
| 50 A                                  | QO150 [4]      | QO250 [4]                  | QO250H                     | QO350 [4]              |
| 60 A                                  | QO160 [4]      | QO260 [4]                  | QO260H                     | QO360 [4]              |
| 70 A                                  | QO170 [4]      | QO270 [4]                  | QO270H                     | QO370 [4]              |
| 80 A                                  | —              | QO280 [4]                  | QO280H                     | QO380 [4]              |
| 90 A                                  | —              | QO290 [4]                  | QO290H                     | QO390 [4]              |
| 100 A                                 | —              | QO2100 [4]                 | QO2100H                    | QO3100 [4]             |
| 110 A                                 | —              | QO2110 [4]                 | —                          | —                      |
| 125 A                                 | —              | QO2125 [4]                 | —                          | —                      |
| 150 A                                 | —              | QO2150 [4] [6] [7]         | —                          | —                      |
| 175 A                                 | —              | QO2175 [4] [6] [7]         | —                          | —                      |
| 200 A                                 | —              | QO2200 [4] [6] [7]         | —                          | —                      |
| Molded Case Switch 60 A max.—240 Vac  |                | —                          | QO200                      | QO300                  |
| Molded Case Switch 100 A max.—240 Vac |                | —                          | QO2000 [8]                 | QO3000 [8]             |
| <b>22 k AIR [4]</b>                   |                |                            |                            |                        |
| 15 A                                  | QO115VH [5]    | QO215VH [9]                | —                          | QO315VH [9]            |
| 20 A                                  | QO120VH [5]    | QO220VH [9]                | —                          | QO320VH [9]            |
| 25 A                                  | QO125VH        | QO225VH [9]                | —                          | QO325VH [9]            |
| 30 A                                  | QO130VH        | QO230VH [9]                | —                          | QO330VH [9]            |
| 40 A                                  | QO140VH        | QO240VH [9]                | —                          | QO340VH [9]            |
| 50 A                                  | QO150VH        | QO250VH [9]                | —                          | QO350VH [9]            |
| 60 A                                  | QO160VH        | QO260VH [9]                | —                          | QO360VH [9]            |
| 70 A                                  | QO170VH        | QO270VH [9]                | —                          | QO370VH [9]            |
| 80 A                                  | —              | QO280VH [9]                | —                          | QO380VH [9]            |
| 90 A                                  | —              | QO290VH [9]                | —                          | QO390VH [9]            |
| 100 A                                 | —              | QO2100VH [9] [10]          | —                          | QO3100VH [9]           |
| 110 A                                 | —              | QO2110VH [9] [10]          | —                          | —                      |
| 125 A                                 | —              | QO2125VH [9] [10]          | —                          | —                      |
| 150 A                                 | —              | QO2150VH [6] [9] [7]       | —                          | —                      |
| 175 A                                 | —              | QO2175VH [6] [9] [7]       | —                          | —                      |
| 200 A                                 | —              | QO2200VH [6] [9] [7]       | —                          | —                      |
| <b>42 k AIR [4]</b>                   |                |                            |                            |                        |
| 40 A                                  | —              | QOH240 [8]                 | —                          | —                      |
| 45 A                                  | —              | QOH245 [8]                 | —                          | —                      |
| 50 A                                  | —              | QOH250 [8]                 | —                          | —                      |
| 60 A                                  | —              | QOH26 [8]                  | —                          | —                      |
| 70 A                                  | —              | QOH270                     | —                          | —                      |
| 80 A                                  | —              | QOH280                     | —                          | —                      |
| 90 A                                  | —              | QOH290                     | —                          | —                      |
| 100 A                                 | —              | QOH2100                    | —                          | —                      |
| 110 A                                 | —              | QOH2110 [8]                | —                          | —                      |
| 125 A                                 | —              | QOH2125                    | —                          | —                      |
| <b>65 k AIR [4]</b>                   |                |                            |                            |                        |
| 15 A                                  | QH115 [5]      | QH215                      | —                          | QH315 [4]              |
| 20 A                                  | QH120 [5]      | QH220                      | —                          | QH320                  |
| 25 A                                  | QH125 [8]      | QH225 [8]                  | —                          | QH325 [8]              |
| 30 A                                  | QH130          | QH230                      | —                          | QH330                  |

Refer to page 7-2 for Interrupting Ratings, Accessories, and Dimensions.



QO 1P  
1 Space Required



QO 2P  
2 Spaces Required



QO 3P  
3 Spaces Required



QO2200 2P 200 A  
4 Spaces Required

[1] See Digest Section 1 for load centers, and Section 9 for panelboards and interiors.  
 [2] 10–30 A circuit breakers are suitable for use with 60°C or 75°C conductors. 35–125 A circuit breakers are suitable for use with 75°C conductors.  
 [3] UL Listed 5 k AIR on corner grounded Delta systems.  
 [4] UL Listed as HACR type for use with air conditioning, heating and refrigeration equipment having motor group combinations and marked for use with HACR type circuit breakers.  
 [5] UL Listed as SWD (switching duty) rated. Suitable for switching 120 Vac fluorescent lighting loads.  
 [6] Requires four spaces (1 AWG–300 kcmil Al/Cu.) Suitable for switching 120 Vac fluorescent lighting loads.  
 [7] Not suitable for use in 3Ø panels. Use only in 1Ø panel rated 150 A or greater.  
 [8] Order only. Contact your local Field Office.  
 [9] UL Listed for use ahead of QO, QO-GFI, QO-EPD, QOT, QO-AFI, and QO-PL 10 k AIR circuit breakers to permit their application at 22 kA fault level.  
 [10] 100 A maximum branch mounted opposite.

**QO/QOB Ring Terminal**

**Table 1.19: QO/QOB Ring Terminal—Factory-installed only**

| Ampere Rating | Poles   | Suffix |
|---------------|---------|--------|
| 10–30 A       | 1, 2, 3 | 5237   |
| 35–60 A       | 1, 2    | 5238   |
| 35–50 A       | 3       |        |
| 70–110 A      | 2       |        |
| 60–100 A      | 3       | 5273   |

**Wire Sizes for QO/QOB Circuit Breakers**

**Table 1.20: Wire Sizes**

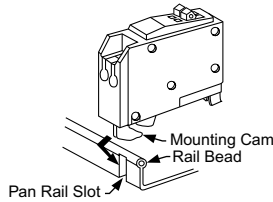
| Circuit Breaker Type     | Ampere Rating [11] | Wire Size (AWG/kcmil)    |
|--------------------------|--------------------|--------------------------|
| QO 1P                    | 10–30 A            | 14–8 Al/Cu               |
|                          | 10–30 A            | (2) 14–10 Cu             |
|                          | 35–70 A            | 8–2 Al/Cu                |
| QO 2P                    | 10–30 A            | 14–8 Al/Cu               |
|                          | 10–30 A            | (2) 14–10 Cu             |
|                          | 35–70 A            | 8–2 Al/Cu                |
|                          | 80–125 A           | 4–2/0 Al/Cu              |
|                          | 150–200 A          | 4–300 Al/Cu              |
| QO 3P                    | 10–30 A            | 14–8 Al/Cu, (2) 14–10 Cu |
|                          | 35–70 A            | 8–2 Al/Cu                |
|                          | 80–125 A           | 4–2/0 Al/Cu              |
| QOB-VH                   | 110–150 A          | 4–300 Al/Cu              |
| QOT                      | 15–20 A            | 12–8 Al 14–8 Cu          |
| QO-AFI, QO-GFI or QO-EPD | 15–30 A            | 12–8 Al 14–8 Cu          |
|                          | 40, 50, 60 A       | 12–4 Al 14–6 Cu          |
| QO-PL                    | 10–60 A            | 12–2 Al 14–2 Cu          |

**QOT Tandem Circuit Breakers**

Circuit limiting QOT tandem circuit breakers have a mounting cam as shown. Installation into a QO load center can only be made in those positions having a mounting pan rail slot. Meets Paragraph 408.54 of the NEC®. UL Listed as Class CTL



QOT 1P Tandem  
1 Space Required



**Table 1.21: QOT Tandem Circuit Breakers**

| Ampere Rating [12]    | Cat. No. [13] |
|-----------------------|---------------|
| <b>1P—120/240 Vac</b> |               |
| 15 A and 15 A         | QOT1515       |
| 15 A and 20 A         | QOT1520       |
| 20 A and 20 A         | QOT2020       |

**2P—120/240 Vac Common Trip**

Order two QOT1515 or QOT2020 circuit breakers and handle tie QOTHT for common switching of center two poles.

**Replacement Tandem Circuit Breakers** Includes two circuit breakers (one QO2030 and one QO3020) and handle tie QOTHT.

**Table 1.22: Replacement Tandem Circuit Breakers**

| Ampere Rating [12]                                          | Cat. No. [13]                                                    |
|-------------------------------------------------------------|------------------------------------------------------------------|
| <b>1P—120/240 Vac—1 Space Required</b>                      |                                                                  |
| 15 A and 15 A                                               | QO1515                                                           |
| 15 A and 20 A                                               | QO1520                                                           |
| 20 A and 20 A                                               | QO2020                                                           |
| 20 A and 30 A                                               | QO2030                                                           |
| 30 A and 20 A                                               | QO3020                                                           |
| <b>Two 1P Individual Trip—120/240 Vac—2 Spaces Required</b> |                                                                  |
| 15 A and 15 A                                               | Order Two QO1515 or QO2020 circuit breakers and handle tie QOTHT |
| 15 A and 20 A                                               |                                                                  |
| 20 A and 20 A                                               | —                                                                |
| 20 A and 30 A                                               | QO20303020 [14]                                                  |
| 30 A and 20 A                                               | —                                                                |

[11] 10–30 A circuit breakers are suitable for use with 60°C or 75°C conductors. 35–125 A circuit breakers are suitable for use with 75°C conductors.

[12] 10–30 A circuit breakers are suitable for use with 60°C or 75°C conductors. 35–125 A circuit breakers are suitable for use with 75°C conductors.

[13] UL Listed as HACR type for use with air conditioning, heating and refrigeration equipment having motor group combinations and marked for use with HACR type circuit breakers.

[14] Includes two circuit breakers (one QO2030 and one QO3020) and handle tie QOTHT.



1P QO-CAFI Plug-On Neutral



1P QO-CAFI Pigtail

### QO Arc-Fault Circuit Breaker

QO arc-fault circuit breakers provide protection for Series and Parallel Type Arcing as required by the NEC and local code adoption, and comply with UL 1699.

Table 1.23: QO Arc Fault Circuit Breakers (One-Pole)

| Circuit Breaker Type [15]                           | Ampere Rating | One-Pole 120 Vac             |                              | Two-Pole 120/240 Vac             |                                      |
|-----------------------------------------------------|---------------|------------------------------|------------------------------|----------------------------------|--------------------------------------|
|                                                     |               | 10 k AIR<br>1 Space Required | 22 k AIR<br>1 Space Required | 10 k AIR<br>2 Space Required     | 22 k AIR<br>2 Space Required         |
| Combination Arc-fault Interrupter (Pigtail Neutral) | 15<br>20      | QO115CAFI<br>QO120CAFI       | QO115VHCAFI<br>QO120VHCAFI   | QO215CAFI [16]<br>QO220CAFI [16] | QO215VHCAFI [16]<br>QO220VHCAFI [16] |
| Plug-On Neutral Combination Arc-fault Interrupter   | 15<br>20      | QO115PCAFI<br>QO120PCAFI     | QO115VHPCAFI<br>QO120VHPCAFI |                                  |                                      |

### QO-Dual Function Circuit Breaker

QO Combination Arc Fault and Ground Fault Circuit Interrupters (Dual Function) provide overload and short circuit protection, plus arc fault and ground fault protection in accordance with the NEC, UL1699 and UL943.

Table 1.24: QO-Dual Function Arc Fault Circuit Breakers

| Circuit Breaker Type [17]                                                    | Ampere Rating | 1P 120 Vac<br>10 k AIR<br>1 Space Required | 1P 120 Vac<br>22 k AIR<br>1 Space Required |
|------------------------------------------------------------------------------|---------------|--------------------------------------------|--------------------------------------------|
| Combination Arc-fault and Ground Fault Circuit Interrupter (Pigtail Neutral) | 15<br>20      | QO115DF<br>QO120DF                         | QO115VHDF<br>QO120VHDF                     |
| Plug-On Neutral Combination Arc-fault and Ground Fault Circuit Interrupter   | 15<br>20      | QO115PDF<br>QO120PDF                       | QO115VHPDF<br>QO120VHPDF                   |



1P QO-DF Plug-on Neutral



1P QO-DF Pigtail

### QO-GFI

Qwik-Gard™ circuit breakers provide overload and short circuit protection, combined with Class A ground fault protection. Class A denotes a ground fault circuit interrupter that will trip when a fault current to ground is 6 mA or more, for people protection. Do not connect to more than 250 feet of load conductor for the total one-way run to prevent nuisance tripping.

Table 1.25: QO-GFI Circuit Breakers

| Ampere Rating [18] | Qwik-Gard Circuit Breakers With Ground Fault Circuit Interrupter |                              |                               |                                |
|--------------------|------------------------------------------------------------------|------------------------------|-------------------------------|--------------------------------|
|                    | 1P 120 Vac                                                       |                              | 2P Common Trip<br>120/240 Vac | 3P Common Trip<br>208Y/120 Vac |
|                    | 10 k AIR<br>1 Space Required                                     | 22 k AIR<br>1 Space Required | 10 k AIR<br>2 Spaces Required | 10 k AIR<br>3 Spaces Required  |
| 15                 | QO115GFI                                                         | QO115VHGFI                   | QO215GFI                      | QO315GFI                       |
| 20                 | QO120GFI                                                         | QO120VHGFI                   | QO220GFI                      | QO320GFI                       |
| 25                 | QO125GFI                                                         | QO125VHGFI                   | QO225GFI                      | —                              |
| 30                 | QO130GFI                                                         | QO130VHGFI                   | QO230GFI                      | QO330GFI                       |
| 40                 | —                                                                | —                            | QO240GFI                      | QO340GFI                       |
| 50                 | —                                                                | —                            | QO250GFI                      | QO350GFI                       |
| 60                 | —                                                                | —                            | QO260GFI [19]                 | —                              |



1P QO-GFI



2P QO-GFI

### QO-EPD/EPE

QO-EPD/EPE circuit breakers provide overload and short circuit protection combined with Class B ground fault protection. They are designed to provide ground fault protection of equipment at a 30 mA level (EPD) or 100 mA level (EPE). They are not designed to protect people from electrical shock.

Table 1.26: QO-EPD Circuit Breakers

| Ampere Rating [20] | 1P<br>120 Vac<br>10 k AIR<br>1 Space Required | 2P Common Trip<br>120/240 Vac<br>10 k AIR<br>2 Spaces Required | 3P Common Trip<br>240 Vac<br>10 k AIR<br>3 Spaces Required |               |
|--------------------|-----------------------------------------------|----------------------------------------------------------------|------------------------------------------------------------|---------------|
| 15                 | QO115EPD                                      | QO215EPD                                                       | QO315EPD [21]                                              | QO315EPE [21] |
| 20                 | QO120EPD                                      | QO220EPD                                                       | QO320EPD [21]                                              | QO320EPE [21] |
| 25                 | QO125EPD                                      | QO225EPD                                                       | —                                                          | —             |
| 30                 | QO130EPD                                      | QO230EPD                                                       | QO330EPD [21]                                              | QO330EPE [21] |
| 40                 | —                                             | QO240EPD                                                       | QO340EPD [21]                                              | QO340EPE [21] |
| 50                 | —                                             | QO250EPD                                                       | QO350EPD [21]                                              | QO350EPE [21] |
| 60                 | —                                             | QO260EPD [22]                                                  | —                                                          | —             |



QO 1P With Shunt Trip

[15] UL Listed as HACR type for use with air conditioning, heating and refrigeration equipment having motor group combinations and marked for use with HACR type circuit breakers.

[16] For 120/240 V only, not for 208Y/120 V.

[17] UL Listed as HACR type for use with air conditioning, heating and refrigeration equipment having motor group combinations and marked for use with HACR type circuit breakers.

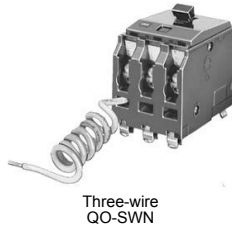
[18] 10–30 A circuit breakers are suitable for use with 60°C or 75°C conductors. 35–60 A circuit breakers are suitable for use with 75°C conductors.

[19] Suitable only for feeding 240 Vac and 208 Vac two-wire loads. Does not contain load neutral connection.

[20] 10–30 A circuit breakers are suitable for use with 60°C or 75°C conductors. 35–60 A circuit breakers are suitable for use with 75°C conductors.

[21] See note in Instruction Bulletin when using in an enclosure with a QO403 or QON prefix.

[22] Suitable only for feeding 240 Vac and 208 Vac two-wire loads. Does not contain load neutral connection.



**QO-SWN**

Switch Neutral Common Trip 2008 NEC® 514.11

**Table 1.27: QO-SWN Circuit Breakers**

| Ampere Rating [23] | 2 Wire 120 Vac<br>10 k AIR<br>2 Spaces Required | 3 Wire 120/240 Vac<br>10 k AIR<br>3 Spaces Required |
|--------------------|-------------------------------------------------|-----------------------------------------------------|
| 10                 | QO210SWN                                        | QO310SWN                                            |
| 15                 | QO215SWN                                        | QO315SWN                                            |
| 20                 | QO220SWN                                        | QO320SWN                                            |
| 25                 | QO225SWN                                        | QO325SWN                                            |
| 30                 | QO230SWN                                        | QO330SWN                                            |
| 40                 | QO240SWN                                        | QO340SWN                                            |
| 50                 | QO250SWN                                        | QO350SWN                                            |

**QO-HID**

HID circuit breakers are for use on circuits feeding fluorescent and high intensity discharge (HID) lighting systems such as mercury vapor, metal halide, or high pressure sodium. These circuit breakers are physically interchangeable with QO circuit breakers.

**Table 1.28: QO-HID Circuit Breakers**

| Ampere Rating [23] | 1P 120/240 Vac<br>10 k AIR<br>1 Space Required | 2P Common Trip<br>120/240 Vac<br>10 k AIR<br>2 Spaces Required | 3P Common Trip<br>240 Vac<br>10 k AIR<br>3 Spaces Required |
|--------------------|------------------------------------------------|----------------------------------------------------------------|------------------------------------------------------------|
| 15                 | QO115HID [24]                                  | QO215HID                                                       | QO315HID                                                   |
| 20                 |                                                | QO220HID                                                       | QO320HID                                                   |
| 25                 | QO125HID                                       | QO225HID                                                       | QO325HID                                                   |
| 30                 | QO130HID                                       | QO230HID                                                       | QO330HID                                                   |
| 40                 | QO140HID                                       | QO240HID                                                       | —                                                          |
| 50                 | QO150HID                                       | QO250HID                                                       | —                                                          |

**QO-K**

Key operated QO circuit breakers are available in single-pole construction and can be mounted in any single-pole space which will accept a standard QO. These circuit breakers can be turned ON or OFF or to RESET with a special key (catalog number QOK10) included with the circuit breaker. These circuit breakers are UL Listed and available as shown in the table.



**Table 1.29: QO-K Circuit Breakers**

| 120 Vac—10 k AIR (1 Space Required) |          |                    |          |
|-------------------------------------|----------|--------------------|----------|
| Ampere Rating [23]                  | Cat. No. | Ampere Rating [23] | Cat. No. |
| 10                                  | QO110K   | 25                 | QO125K   |
| 15                                  | QO115K   | 30                 | QO130K   |
| 20                                  | QO120K   |                    |          |

**QO-HM**

High magnetic trip circuit breakers are recommended for applications where high initial inrush may occur and for individual dimmer applications.

**Table 1.30: QO-HM Circuit Breakers**

| 120 Vac—10 k AIR   |                   |
|--------------------|-------------------|
| Ampere Rating [23] | 1P                |
| 15 A               | QO115HM [25] [26] |
| 20 A               | QO120HM [25] [26] |

**Non-Automatic (Standard) Miniature Switches**

Miniature non-automatic switches have the same physical packaging as miniature circuit breakers, but open only when the handle is switched to the OFF position.

Non-automatic switches provide no overcurrent protection or short circuit protection. They must not be used on systems that have an available fault current greater than the values listed in the table. Non-automatic switches are UL Listed per UL 1087 and are CSA certified.

**Table 1.31: QO Non-Automatic Miniature Switches, 240 Vac 10 kA**

| Ampere Rating | 2P     | 3P     |
|---------------|--------|--------|
| 60            | QO200  | QO300  |
| 100           | QO2000 | QO3000 |

[23] 10–30 A circuit breakers are suitable for use with 60°C or 75°C conductors. 35–60 A circuit breakers are suitable for use with 75°C conductors.

[24] UL Listed as SWD (switching duty) rated. Suitable for switching 120 Vac fluorescent lighting loads.

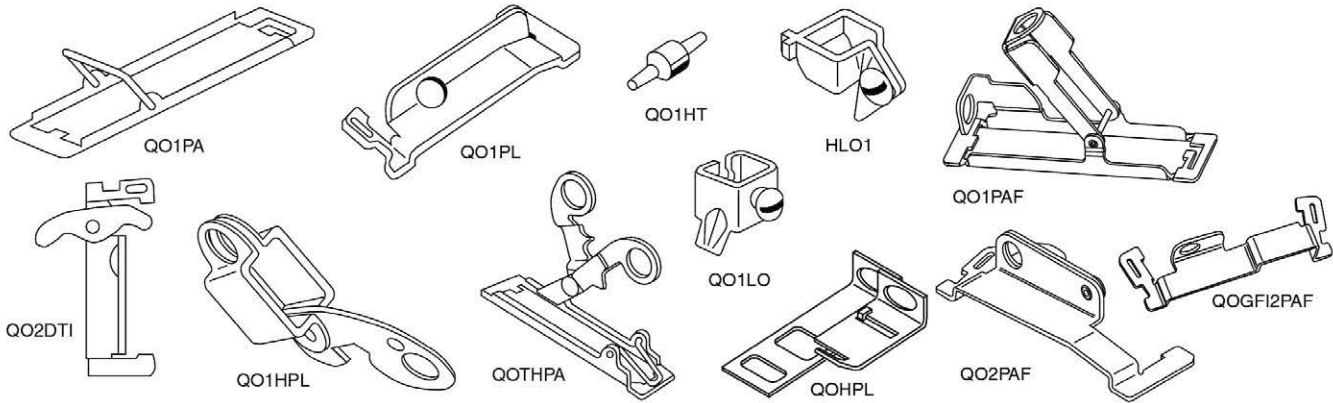
[25] UL Listed as HACR type for use with air conditioning, heating and refrigeration equipment having motor group combinations and marked for use with HACR type circuit breakers.

[26] UL Listed as SWD (switching duty) rated. Suitable for switching 120 Vac fluorescent lighting loads.

Accessories for QO/QOB Circuit Breakers

Table 1.32: Accessories for use with QO and QOB Miniature Circuit Breakers

| Description                                                    |                                                                                                                                                                                                                                                | Cat. No.                                        | Schedule                    |
|----------------------------------------------------------------|------------------------------------------------------------------------------------------------------------------------------------------------------------------------------------------------------------------------------------------------|-------------------------------------------------|-----------------------------|
| <b>Handle Attachments</b>                                      |                                                                                                                                                                                                                                                |                                                 |                             |
| Handle Tie                                                     | Converts any two adjacent 120/240 Vac 1P QO circuit breakers to independent trip 2P<br>Converts any two adjacent 120/240 Vac 1P side-by-side QOT circuit breakers to independent trip 2P                                                       | QO1HT<br>QOTHT                                  | DE2E<br>DE2E                |
| Handle Clamp                                                   | Clamp for holding QO 1P handle in ON or OFF position<br>Clamp for holding QO or Q1 either 1P, 2P or 3P circuit breaker handles in ON or OFF position                                                                                           | QO1LO<br>HLO1                                   | DE2E<br>DE2E                |
| Handle Padlock Attachment for Padlocking in ON or OFF position | For padlocking 1P QO circuit breaker in ON or OFF position<br>Loose attachment<br>Fixed attachment                                                                                                                                             | QOHPL<br>QO1PA                                  | DE2E<br>DE2E                |
|                                                                | For padlocking 1P side-by-side QOT circuit breaker in ON or OFF position                                                                                                                                                                       | QOTHPA                                          | DE2E                        |
|                                                                | For padlocking 2P QO-GFI circuit breakers in either ON or OFF position, fixed attachment.                                                                                                                                                      | GFI2PA                                          | DE2A                        |
|                                                                | For 2P and 3P QO and Q1 standard circuit breakers which require padlocking in either ON or OFF position.<br>Loose attachment<br>Fixed attachment                                                                                               | QO1HPL<br>QO1PL                                 | DE2E<br>DE2E                |
| Handle Padlock Attachment for Padlocking in OFF position       | For padlocking 1P QO circuit breaker in OFF position only, fixed attachment.                                                                                                                                                                   | QO1PAF                                          | DE2E                        |
|                                                                | For padlocking 2P and 3P QO circuit breakers in OFF position only, fixed attachment.                                                                                                                                                           | QO2PAF                                          | DE2E                        |
|                                                                | For padlocking 1P QO-GFI, QO-CAFI, QO-DF and QO-EPD circuit breakers in OFF position only, fixed attachment.                                                                                                                                   | QOGFI1PAF                                       | DE2E                        |
|                                                                | For padlocking 2P QO-GFI, QO-CAFI and QO-EPD circuit breakers in OFF position only, fixed attachment.                                                                                                                                          | QOGFI2PAF                                       | DE2E                        |
| Ring Terminal                                                  | Ring terminals are available as a factory-installed option.                                                                                                                                                                                    | See page 7-10                                   | DE2A                        |
| Sub-feed Lugs                                                  | 60 A 2P plug-on – 2 spaces required (6-2 Al/Cu)<br>125 A 2P plug-on – 2 spaces required (12-2/0 Al/Cu)<br>225 A 2P plug-on – 4 spaces required (4-300 Al/Cu)<br>125 A 3P plug-on – 3 spaces required (12-2/0 Al/Cu)                            | QO60SL<br>QO2125SL<br>QO2225SL [27]<br>QO3125SL | DE2A<br>DE2A<br>DE2A<br>DE3 |
| Mechanical Interlock Attachment                                | For interlocking the handles of two 2P or one 2P and one 1P QO and Q1 circuit breakers mounted side-by-side so that only one circuit breaker can be ON at a time (Not QOU)                                                                     | QO2DTI                                          | DE2E                        |
| With Retaining Kit                                             | QO2DTI mechanical interlock attachment with retaining kits for securing two adjacent back-fed circuit breakers in dual power supply applications. Can be used with (2) 2Ps or (1) 2P and (1) 1P QO circuit breakers in QO816L100 load centers. | QO2DTIM                                         | DE2E                        |



Factory-Installed Accessories for use with QO and QOB Miniature Circuit Breakers

Factory-installed electrical accessories take up an additional pole space on QO, QO-GFI, QO-EPD, QO-SWN and QOU circuit breakers. All AC electrical accessories shown below are rated for 50/60 Hz. Accessories are not available for QOB-VH (2P 150 A and 3P 110-150 A) circuit breakers or QO, QOU molded case switches. QO circuit breakers will accept only one accessory per circuit breaker. Undervoltage trip is not available on miniature circuit breakers. Factory-installed accessories are not available for QO-AFI or QO-CAFI Arc Fault Circuit Breakers or on QO2150, QO2175, or QO2200 circuit breakers.

Table 1.33: Factory-Installed Accessories

| Accessory  | Description                                                                                                                                                                                                                                                                                                                                                                                                                                                                          | Rated Voltage                 | Coil Burden               | Cat. No. Suffix | Accessory          | Description                                                                                                                                                                                                                                                                                                                                        | Contact Comb. | Max. Voltage       | Max.       | Cat. No. Suffix |
|------------|--------------------------------------------------------------------------------------------------------------------------------------------------------------------------------------------------------------------------------------------------------------------------------------------------------------------------------------------------------------------------------------------------------------------------------------------------------------------------------------|-------------------------------|---------------------------|-----------------|--------------------|----------------------------------------------------------------------------------------------------------------------------------------------------------------------------------------------------------------------------------------------------------------------------------------------------------------------------------------------------|---------------|--------------------|------------|-----------------|
| Shunt Trip | Trips the circuit breaker from a remote location by means of a trip coil energized from a separate circuit. A 120 Vac shunt trip will operate at 55% or more of rated voltage. All other shunt trips will operate at 75% or more of rated voltage.<br><b>Application</b><br><ul style="list-style-type: none"> <li>For use with momentary or maintained push button.</li> <li>Not available on QO-GFI, QO-EPD.</li> <li>Shunt trip terminals accept (2) 0.14-0.12 AWG Cu.</li> </ul> | 12 Vac/Vdc<br>24 Vac/Vdc      | 60 VA<br>168 VA           | -1042           | Auxiliary Switches | Monitors circuit breaker contact status and provides a remote signal indicating the circuit breaker contacts are OPEN or CLOSED.<br><b>Application</b><br><ul style="list-style-type: none"> <li>Auxiliary switch terminals accept (2) 14-12 AWG Cu leads.</li> <li>Leads (EH): Yellow for "A", Blue for "B", Striped common 18 AWG Cu.</li> </ul> | 1A<br>1B      | 120 Vac<br>120 Vac | 5 A<br>5 A | -1200<br>-1201  |
|            |                                                                                                                                                                                                                                                                                                                                                                                                                                                                                      | 120 Vac<br>208 Vac<br>240 Vax | 72 VA<br>228 VA<br>288 VA | -1021           | Alarm Switches     | Used with control circuits and is actuated only when the circuit breaker has tripped. Standard construction includes a normally-open contact.<br><b>Application</b><br><ul style="list-style-type: none"> <li>Leads: Alarm switch terminals accept (2) 14-12 AWG Cu leads.</li> </ul>                                                              | 1A            | 120 Vac            | 5 A        | -2100           |

[27] Not suitable for use in 3Ø panels. Use only in 1Ø panel rated 150 A or greater.

**1Ø3W—120/240 Vac—UL Listed**

**Table 1.34: Value Packs Contains Complete Load Center (Box, Interior and Cover) with Selected Branch Circuit Breaker**

| Mains Rating                                                                                                                                                                                                                                                                                                                                            | Spaces | Max. 1P Circuits [1] | Max. Tandem Circuit Breakers | Load Center       |                                                            | Equipment Ground Bar Kit (Order Separately) | Main Wire Size AWG/kcmil Al/Cu | Box No. [2] |    |
|---------------------------------------------------------------------------------------------------------------------------------------------------------------------------------------------------------------------------------------------------------------------------------------------------------------------------------------------------------|--------|----------------------|------------------------------|-------------------|------------------------------------------------------------|---------------------------------------------|--------------------------------|-------------|----|
|                                                                                                                                                                                                                                                                                                                                                         |        |                      |                              | Cat. No.          | Included Load Center/Circuit Breakers                      |                                             |                                |             |    |
| <b>QO (Accepts Only QO Plug-On Circuit Breakers) QO—Copper Bus</b><br>Convertible Mains—Factory-Installed Main Circuit Breaker,<br>22 kA Short Circuit Current Rating Convertible appropriate to Main Lugs (See 1Ø, Field-Installed Main Lugs Kits, page 1-5) or QOM Main Circuit Breaker (See 1Ø, Field-Installed Main Circuit Breaker Kits, page 1-4) |        |                      |                              |                   |                                                            |                                             |                                |             |    |
| 125 A                                                                                                                                                                                                                                                                                                                                                   | 24     | 24                   | 0                            | QO124L125PGCVP    | (1) QO124L125PGC, (3) QO120, (2) QO230                     | PK15GTA                                     | 6–2/0                          | 7           |    |
| 225 A                                                                                                                                                                                                                                                                                                                                                   | 42     | 42                   | 0                            | QO142L225PGCVP    | (1) QO142L225PGC, (3) QO120, (2) QO230                     | (2) PK15GTA                                 | 6–300                          | 12          |    |
| <b>Convertible Mains—Factory-Installed Main Circuit Breaker,</b><br>22 kA Short Circuit Current Rating Convertible appropriate to Main Lugs or Main Circuit Breaker (See 1Ø3W—120/240 Vac—UL Listed, page 1-19)                                                                                                                                         |        |                      |                              |                   |                                                            |                                             |                                |             |    |
| 125 A                                                                                                                                                                                                                                                                                                                                                   | 24     | 24                   | 0                            | QO124M100PCVP     | (1) QO124M100PC, (3) QO120, (2) QO230                      | PK15GTA                                     | 6–2/0                          | 7           |    |
|                                                                                                                                                                                                                                                                                                                                                         | 32     | 32                   | 0                            | QO32M100VP        | (1) QO132M100C, (3) QO120, (2) QO230                       | PK18GTA                                     | 4–2/0                          | 8           |    |
| 200 A                                                                                                                                                                                                                                                                                                                                                   | 30     | 40                   | 10                           | QO3040M200VP      | (1) QO13040M200C, (3) QO120, (2) QO230                     | PK23GTA                                     | 4–250                          | 9           |    |
|                                                                                                                                                                                                                                                                                                                                                         | 42     | 42                   | 0                            | QO142M200PCVP     | (1) QO142M200PC, (3) QO120, (2) QO230                      | PK23GTA                                     |                                | 11          |    |
|                                                                                                                                                                                                                                                                                                                                                         | 42     | 42                   | 0                            | QO142M200PCAFVP   | (1) QO142M200PC, (3) QO120, (2) QO230, (3) QO115PCAFI      | PK23GTA                                     |                                | 11          |    |
| <b>Homeline (Accepts Only HOM Plug-On Circuit Breakers)</b><br>Convertible Mains—Factory-Installed Main Lugs,<br>10 kA Short Circuit Current Rating Convertible to appropriate QOM 22 kA Short Circuit Current Rating Main Circuit Breaker (See 1Ø3W—120/240 Vac—UL Listed, page 1-19)                                                                  |        |                      |                              |                   |                                                            |                                             |                                |             |    |
| 125 A                                                                                                                                                                                                                                                                                                                                                   | 12     | 24                   | 12                           | HOM1224L125PGCVP  | (1) HOM1224L125PGC, (2) HOM120                             | PK15GTAL                                    | 6–2/0                          | 6–1         | 6  |
| 225 A                                                                                                                                                                                                                                                                                                                                                   | 30     | 60                   | 30                           | HOM3060L225PGCVP  | (1) HOM3060L225PGC, (3) HOM120, (2) HOM230                 | PK15GTAL<br>PK15GTA                         | 4–300                          | 4–250       | 10 |
| <b>Convertible Mains—Factory-Installed Main Circuit Breaker,</b><br>22 kA Short Circuit Current Rating Convertible appropriate to Main Lugs or Main Circuit Breaker (See 1Ø3W—120/240 Vac—UL Listed, page 1-19)                                                                                                                                         |        |                      |                              |                   |                                                            |                                             |                                |             |    |
| 100 A                                                                                                                                                                                                                                                                                                                                                   | 20     | 40                   | 20                           | HOM2040M100PCVP   | (1) HOM2040M100PC, (2) HOM120, (1) HOM230                  | PK18GTA                                     | 6–1                            | 6–3         | 7  |
|                                                                                                                                                                                                                                                                                                                                                         | 20     | 40                   | 20                           | HOM2040M100PC1AVP | (1) HOM2040M100PC, (2) HOM120, (1) HOM230, (1) HOM115PCAFI | PK18GTA                                     | 6–1                            | 6–3         | 7  |
|                                                                                                                                                                                                                                                                                                                                                         | 24     | 48                   | 24                           | HOM2448M100PCVP   | (1) HOM2448M100PC, (3) HOM120, (2) HOM230                  | PK23GTA                                     | 6–2/0                          | 6–1/0       | 8  |
| 150 A                                                                                                                                                                                                                                                                                                                                                   | 30     | 30                   | 30                           | HOM3060M150PCVP   | (1) HOM3060M150PC, (3) HOM120, (2) HOM230                  | PK23GTA                                     | 4–250                          |             |    |
|                                                                                                                                                                                                                                                                                                                                                         | 20     | 40                   | 20                           | HOM2040M200PCVP   | (1) HOM2040M200PC, (3) HOM120, (2) HOM230                  | PK18GTA                                     |                                |             | 9  |
| 200 A                                                                                                                                                                                                                                                                                                                                                   | 30     | 60                   | 30                           | HOM3060M200PCVP   | (1) HOM3060M200PC, (3) HOM120, (2) HOM230                  | PK23GTA                                     |                                |             | 10 |
|                                                                                                                                                                                                                                                                                                                                                         | 30     | 60                   | 30                           | HOM3060M200PC1AVP | (1) HOM3060M200PC, (3) HOM120, (2) HOM230, (1) HOM115PCAFI | PK23GTA                                     | 4–250                          |             | 10 |
|                                                                                                                                                                                                                                                                                                                                                         | 30     | 60                   | 30                           | HOM3060M200PCAFVP | (1) HOM3060M200PC, (3) HOM120, (2) HOM230, (3) HOM115PCAFI | PK23GTA                                     |                                |             | 10 |
|                                                                                                                                                                                                                                                                                                                                                         | 40     | 80                   | 40                           | HOM4080M200PCVP   | (1) HOM4080M200PC, (3) HOM120, (2) HOM230                  | PK27GTA                                     |                                |             | 12 |
|                                                                                                                                                                                                                                                                                                                                                         | 40     | 80                   | 40                           | HOM4080M200PC1AVP | (1) HOM4080M200PC, (3) HOM120, (2) HOM230, (1) HOM115PCAFI | PK27GTA                                     |                                |             | 12 |
|                                                                                                                                                                                                                                                                                                                                                         | 40     | 80                   | 40                           | HOM4080M200PCAFVP | (1) HOM4080M200PC, (3) HOM120, (2) HOM230, (3) HOM115PCAFI | PK27GTA                                     |                                |             | 12 |
| <b>Homeline (Accepts Only HOM Plug-On Circuit Breakers)</b><br>Convertible Mains—Factory-Installed Main Circuit Breaker,<br>22 kA Short Circuit Current Rating Convertible to Main Lugs or Lower Amperage QOM2 Main Circuit Breaker (See 1Ø3W—120/240 Vac—UL Listed, page 1-19)                                                                         |        |                      |                              |                   |                                                            |                                             |                                |             |    |
| 125 A                                                                                                                                                                                                                                                                                                                                                   | 12     | 24                   | 12                           | HOM1224M125PRBVP  | (1) HOM1224M125PRB, (3) HOM120, (2) HOM230                 | PK23GTA                                     | 6–2/0                          | 6–1         | 3R |
| 200 A                                                                                                                                                                                                                                                                                                                                                   | 30     | 60                   | 30                           | HOM3060M200PRBVP  | (1) HOM3060M200PRB, (3) HOM120, (2) HOM230                 | PK23GTA                                     | 4–250                          |             | 7R |

**QO Riser Panels**

**Table 1.35: Offset Interior for Wide Gutter—30 A Maximum Branch Circuit Breaker on left side of interior [3] [4] (Accepts Only QO Plug-On Circuit Breakers)**

| Mains Rating                                                                                                                                                                                                                                                                                              | Spaces | Max. Single Pole Circuits [5] | Max. Tandem Circuit Breakers | Load Center Box and Interior | Load Center Cover | Equipment Ground Bar Kit (Order Separately) | Main Wire Size AWG/kcmil |    | Box No. [6] |
|-----------------------------------------------------------------------------------------------------------------------------------------------------------------------------------------------------------------------------------------------------------------------------------------------------------|--------|-------------------------------|------------------------------|------------------------------|-------------------|---------------------------------------------|--------------------------|----|-------------|
|                                                                                                                                                                                                                                                                                                           |        |                               |                              |                              |                   |                                             | Al                       | Cu |             |
| <b>Convertible Mains—Factory-Installed Main Lugs, 65 kA Short Circuit Current Rating Convertible to QOM1 22 kA Short Circuit Current Rating Main Circuit Breaker (See Indoor, 1Ø, Main Lugs, page 1-3) when used with QOC cover below—Copper Bus</b>                                                      |        |                               |                              |                              |                   |                                             |                          |    |             |
| 125 A                                                                                                                                                                                                                                                                                                     | 12     | 24                            | 12                           | QO11224L125WG                | QOC20UFWG         | PK15GTA                                     | 6–2/0                    |    | 14          |
|                                                                                                                                                                                                                                                                                                           | 20     | 30                            | 10                           | QO12030L125WG                | QOC20UFWG         | PK15GTA                                     | 6–2/0                    |    | 14          |
| <b>Convertible Mains—Factory—Installed Main Lugs, 65 kA Short Circuit Current Rating Convertible to QOM2 22 kA Short Circuit Current Rating Main Circuit Breaker (See Indoor, 1Ø, Main Lugs, page 1-3) when used with QOC cover below—Copper Bus</b>                                                      |        |                               |                              |                              |                   |                                             |                          |    |             |
| 200 A                                                                                                                                                                                                                                                                                                     | 30     | 40                            | 10                           | QO13040L200WG                | QOC30UFWG         | PK23GTA                                     | 4–250                    |    | 23          |
| <b>Convertible Mains—Factory-Installed Main Circuit Breaker, 22 kA Short Circuit Current Rating Convertible to Main Lugs (See Indoor, 1Ø, Main Circuit Breaker, page 1-4) or Lower Amperage QOM2 Main Circuit Breaker (See Indoor, 1Ø, Main Lugs, page 1-3) when used with QOC cover below—Copper Bus</b> |        |                               |                              |                              |                   |                                             |                          |    |             |
| 200 A                                                                                                                                                                                                                                                                                                     | 24     | 24                            | 0                            | QO124M200WG125 [7]           | QOC30UFWG         | PK23GTA                                     | 4–250                    |    | 23          |

Above listings through 200 A mains rating meet Federal Specification W-P-115c as Type 1, Class 2.

**Panelboard-style Covers for Riser Panels**

Mono-Flat™ Front available for riser panels as an alternative to standard load center cover listed above. Provides a low-profile, aesthetically pleasing solution for high-traffic areas in upscale multi-family applications. Deadfront included. Lock kit not provided. Cover NQC30FWG CANNOT be used when panel has been converted to a main circuit breaker panel. [8]

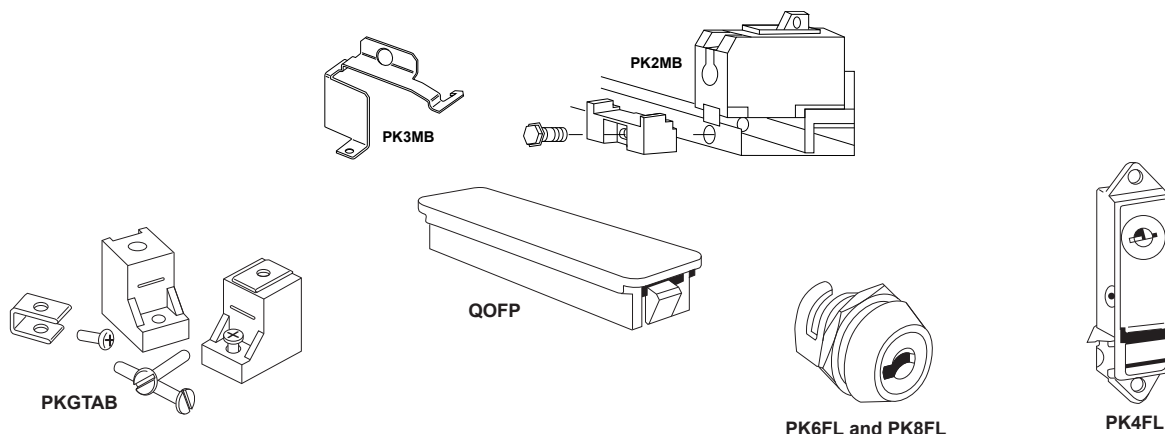
| Mains Rating of Load Center | Cat. No. |
|-----------------------------|----------|
| 125 A                       | NQC20FWG |
| 200 A                       | NQC30FWG |

- [1] Maximum single pole branch circuits utilizing QO and/or QOT circuit breakers.
- [2] See Indoor, Dimensions and Knockouts, page 1-23 or Rainproof, Dimensions, Knockouts and Bolt-on Hubs, page 1-24
- [3] UL short circuit current rating depends on lowest interrupting rating of circuit breaker installed.
- [4] UL Listed 5000 A short circuit current rating for corner grounded Delta systems. Use QO-H circuit breakers only.
- [5] Maximum single pole branch circuits utilizing QO and/or QOT circuit breakers.
- [6] See Indoor Knockout Information and Enclosure Dimensions, page 1-23
- [7] Comes with 125 A main circuit breaker factory installed.
- [8] Order catalog number PK4FL for field-installed lock kit.

QO Load Center Accessories

Table 1.36: QO Load Center Accessories

|                                                         | Description                                                                                                                                                                                                                                   | Cat. No.              | Schedule |
|---------------------------------------------------------|-----------------------------------------------------------------------------------------------------------------------------------------------------------------------------------------------------------------------------------------------|-----------------------|----------|
| Retaining Kit for Breakers Used as Back-fed Mains       | Secures circuit breaker to interior when used as a back-fed main. For QO612L100F/S, RB, QO612L100DF/S, QO816L100F/S, RB, QO816L100DF/S and QO148L125GF/S, GRB load centers                                                                    | PK2MB                 | DE3A     |
|                                                         | Secures 3P circuit breaker without accessories to left side of interior when used as a back-fed main. For 3Ø load centers                                                                                                                     | PK3MB                 | DE3A     |
|                                                         | Secures circuit breaker to interior when used as a back-fed main for 2P QO 150–200 A circuit breakers                                                                                                                                         | PK5RK                 | DE3A     |
|                                                         | Secures ONE circuit breaker with or without electrical accessories to right side of interior when used as a back-fed main For 1Ø 100–125 ampere convertible main load centers. Series S01 and S02                                             | PK4MB2LA              | DE3A     |
|                                                         | Secures ONE circuit breaker with or without electrical accessories to right side of interior when used as a back-fed main For 1Ø 150–225 ampere convertible main load centers. Series S01 and S02                                             | PK4MB2HA              | DE3A     |
| Cover Sealing Strap                                     | Provides means of sealing trim mounting screws on QO load center covers                                                                                                                                                                       | QO1SE                 | DE3A     |
| Replacement Cover Directory Label                       | 1 through 42 numbered universal replacement directory label for load center covers                                                                                                                                                            | LSDL                  | DE5      |
| Circuit Identification Stickers                         | Circuit identification stickers for use on cover directory labels to identify branch circuits                                                                                                                                                 | PSDS                  | DE5      |
| Filler Plates                                           | Fills opening in covers if twistout is removed in error                                                                                                                                                                                       | QOFF                  | DE3A     |
|                                                         | Fills main circuit breaker opening in convertible load center covers 100–125 A                                                                                                                                                                | QOM1FP                | DE3A     |
|                                                         | Fills main circuit breaker opening in convertible load center covers 150–225 A                                                                                                                                                                | QOM2FP                | DE3A     |
|                                                         | Fills main circuit breaker opening in 3Ø load center covers (S01 and S02 Series)                                                                                                                                                              | KFP                   | DE3A     |
|                                                         | Fills main circuit breaker opening in "Q" style 3Ø load center covers (S03 Series)                                                                                                                                                            | Q2FP                  | DE3A     |
| Door Lock Kits                                          | Use with QO612L100DF/S, QO612L100DFCU/SCU, QO612L100DF/S, QO816L100DF/S, QO816L100DFCU/SCU, QO816L100DTF/S, QO48M30DSGP, or QO48M60DSGP                                                                                                       | PK8FL [1]             | DE3A     |
|                                                         | Use with convertible mains, 1Ø and 3Ø 100–225 A, and fixed mains, 3Ø 125–225 A indoor load centers                                                                                                                                            | PK6FL                 | DE3A     |
|                                                         | Use with 300 and 400 ampere indoor load centers                                                                                                                                                                                               | PK4FL                 | PE1A     |
| Neutral / Ground Lugs                                   | Field-installed for 12–2 Al or 14–4 Cu AWG wire                                                                                                                                                                                               | LK70AN                | DE3A     |
|                                                         | Field-installed for 6–2/0 Al/Cu AWG wire                                                                                                                                                                                                      | LK100AN               | DE3A     |
|                                                         | Field-installed for 14–2/0 Al/Cu AWG wire                                                                                                                                                                                                     | LK125AN               | DE3A     |
|                                                         | Field-installed for 2–3/0 Al/Cu AWG wire                                                                                                                                                                                                      | LK150AN               | DE3A     |
|                                                         | Field-installed for 4 AWG to 300 kcmil Al/Cu wire. Use in Series S, 150–225A QO load center or S03 and below, 150–225A HOM load center                                                                                                        | LK225AN<br>LK225ANHOM | DE3A     |
| Ground Bar Kits                                         | Standard PK15GTA with a 1–4/0 Al/Cu Lug                                                                                                                                                                                                       | PK15GTAL              | DE3A     |
|                                                         | Standard PK18GTA with a 1–4/0 Al/Cu Lug                                                                                                                                                                                                       | PK18GTAL              | DE3A     |
|                                                         | Standard PK23GTA with a 1–4/0 Al/Cu Lug                                                                                                                                                                                                       | PK23GTAL              | DE3A     |
|                                                         | Insulator Kit for PK7GTA through PK27GTA                                                                                                                                                                                                      | PKGTAB                | DE3A     |
| Handle Padlock Attachment                               | For padlocking main circuit breakers in convertible load centers OFF                                                                                                                                                                          | 50–125 A<br>QOM1PA    | DE2E     |
|                                                         |                                                                                                                                                                                                                                               | 100–225 A<br>QOM2PA   | DE2E     |
| Service Entrance Barriers                               | QO / Homeline 1Ø 100–125 A QOM1 convertible main load centers                                                                                                                                                                                 | PKSB1LA               | DE3A     |
|                                                         | QO / Homeline 1Ø 150–225 A QOM2 convertible main load centers                                                                                                                                                                                 | PKSB1HA               | DE3A     |
|                                                         | QO 3Ø convertible main load centers                                                                                                                                                                                                           | PKSB3                 | DE3A     |
|                                                         | QO 1Ø back-fed main breaker applications                                                                                                                                                                                                      | PKSB1QOBF             | DE3A     |
|                                                         | QO 3Ø back-fed main breaker applications                                                                                                                                                                                                      | PKSB3BF               | DE3A     |
| <b>QO Load Center Manual Power Transfer Accessories</b> |                                                                                                                                                                                                                                               |                       |          |
| Manual Transfer Equipment Kit                           | For interlocking the handles of two 2P or one 2P and one 1P QO and Q1 circuit breakers mounted side-by-side so that only one circuit breaker can be "ON" at a time.                                                                           | QO2DTI                | DE2E     |
|                                                         | QO2DTI mechanical interlock attachment with retaining kits for securing two adjacent back-fed circuit breakers in dual power supply applications. Can be used with (2) 2P or (1) 2P and (1) 1P QO circuit breakers in QO816L100 load centers. | QO2DTIM               | DE2E     |
|                                                         | Secures two 2P circuit breakers to right side of interior when used as back-fed mains, a QO2DTI Kit included for back-up power supply applications. For 1Ø 100–125 ampere convertible main load centers. Series S01 and S02.                  | PK4DTIM4LA            | DE3A     |
|                                                         | Secures two 2P circuit breakers to right side of interior when used as back-fed mains, a QO2DTI Kit included for back-up power supply applications. For 1Ø 150–225 ampere convertible main load centers. Series S01 and S02.                  | PK4DTIM4HA            | DE3A     |
| Generator Circuit Breaker Interlock Kit                 | Secures two 2P circuit breakers to left side of interior when used as back-fed mains, a QO2DTI Kit included for back-up power supply applications. For 1Ø 100–125 ampere convertible main load centers. Series S01 and S02.                   | PK4DTIM4LAL           | DE3A     |
|                                                         | For use on "G" and "S" Series NEMA 1 and "G", "S1" and "S2" Series NEMA 3R load centers. Interlocks a QOM1 2P main circuit breaker of a load center (100–125 A) with a QO 2P (15–125 A) branch circuit breaker. Includes a retaining kit.     | QOCRBGK1C             | DE3A     |
|                                                         | For use on "G" and "S" Series NEMA 1 and "G" and "S1" Series NEMA 3R load centers. Interlocks a QOM2 2P main circuit breaker of a load center (150–225 A) with a QO 2P (15–125 A) branch circuit breaker. Includes a retaining kit.           | QOCGK2C               | DE3A     |
|                                                         | For use on "S2" Series NEMA 3R load centers. Interlocks a QOM2 2P main circuit breaker of a load center (150–225 A) with a QO 2P (15–125 A) branch circuit breaker. Includes a retaining kit.                                                 | QORBGK2C              | DE3A     |



[1] QO403L60NF/S does not have provisions for a field-installed lock.

Homeline Load Center Accessories

Table 1.37: Homeline Load Center Accessories

| Description                                       |                                                                                                                                                                                                | Cat. No.   | Schedule |      |
|---------------------------------------------------|------------------------------------------------------------------------------------------------------------------------------------------------------------------------------------------------|------------|----------|------|
| Handle Padlock Attachment                         | For padlocking main circuit breakers in convertible load center, "OFF"                                                                                                                         | 50–125 A   | QOM1PA   | DE2E |
|                                                   |                                                                                                                                                                                                | 100–225 A  | QOM2PA   | DE2E |
| Filler Plates                                     | Fills opening in covers if twistout is removed in error                                                                                                                                        | HOMFP      | DE3C     |      |
|                                                   | Fills main circuit breaker opening in convertible load centers                                                                                                                                 | 100–125 A  | QOM1FP   | DE3A |
|                                                   |                                                                                                                                                                                                | 150–225 A  | QOM2FP   | DE3A |
| Neutral / Ground Lugs                             | Field-installed for 14–2 AWG Al or 14–4 AWG Cu wire                                                                                                                                            | LK70AN     | DE3B     |      |
|                                                   | Field-installed for 6–2/0 AWG Al/Cu wire                                                                                                                                                       | LK100AN    | DE3B     |      |
|                                                   | Field-installed for 14–2/0 AWG Al/Cu wire                                                                                                                                                      | LK125AN    | DE3B     |      |
|                                                   | Field-installed for 4 AWG to 300 kcmil Al/Cu wire. Use in Series S, 150–225A QO load center or S03 and below, 150–225A HOM load center                                                         | LK225AN    | DE3A     |      |
|                                                   | Field-installed for 4 AWG–300 kcmil Al/Cu wire. Use in Series S04, 150–225 A HOM load center                                                                                                   | LK225ANHOM | DE3A     |      |
| Retaining Kit for Breakers Used as Back-fed Mains | Secures circuit breaker to interior when used as a back-fed main. For HOM612L100F/S, RB and HOM48L125GC, GRB load centers                                                                      | HOM1RK     | DE3C     |      |
|                                                   | Secures ONE circuit breaker right side of interior when used as a back-fed main For 100–125 A convertible main load centers, Series S01 and S02                                                | HOM4RK2LA  | DE3C     |      |
|                                                   | Secures ONE circuit breaker right side of interior when used as a back-fed main For 150–225 A convertible main load centers, Series S01 and S02                                                | HOM4RK2HA  | DE3C     |      |
|                                                   | Secures circuit breaker to interior when used as a back-fed main For 2P 150–200 A circuit breakers                                                                                             | HOM5RK     | DE3C     |      |
| Door Lock Kit                                     | Use with convertible indoor load center covers (Series S-1)                                                                                                                                    | PK6FL      | DE3A     |      |
| Replacement Cover Directory Label                 | 1 through 42 numbered universal replacement directory label for load center covers                                                                                                             | LSDL       | DE5      |      |
| Circuit Identification Stickers                   | Circuit identification stickers for use on cover directory labels to identify branch circuits                                                                                                  | PSDS       | DE5      |      |
| Generator Circuit Breaker Interlock Kit           | For use on "S" Series NEMA 1 and NEMA 3R load centers. Interlocks a QOM1 2P main circuit breaker of a load center (100–125 A) with a Homeline 2P (15–125 A) branch circuit breaker             | HOMCRBGK1C | DE3D     |      |
|                                                   | For use on "S" Series NEMA 1 and "S1" Series NEMA 3R load centers. Interlocks a QOM2 2P main circuit breaker of a load center (150–225 A) with a Homeline 2P (15–125 A) branch circuit breaker | HOMCGK2C   | DE3D     |      |
|                                                   | For use on "S2" and "S3" Series NEMA 3R QOM2 load centers. Interlocks a QOM2 2P main circuit breaker of a load center (150–225 A) with a Homeline 2P (15–125 A) branch circuit breaker         | HOMRBGK2C  | DE3D     |      |
| Service Entrance Barriers                         | QO / Homeline 1Ø 100–125 A QOM1 convertible main load centers                                                                                                                                  | PKSB1LA    | DE3A     |      |
|                                                   | QO / Homeline 1Ø 150–225 A QOM2 convertible main load centers                                                                                                                                  | PKSB1HA    | DE3A     |      |
|                                                   | Homeline back-fed main breaker applications                                                                                                                                                    | PKSB1HOMBF | DE3A     |      |



Surge Protective Devices

Table 1.38: Load Center and CSED Surge Protection Devices

| Description                 |                                                                                                                                   | Cat. No.  | Schedule |
|-----------------------------|-----------------------------------------------------------------------------------------------------------------------------------|-----------|----------|
| Surge Arresters             | For use on 1Ø3W, 150 Vac maximum                                                                                                  | SDSA1175  | DE1B     |
|                             | For use on 3Ø4W, 650 Vac maximum                                                                                                  | SDSA3650  | DE1B     |
|                             | QO Surgebreaker cUL <sub>US</sub> Listed Secondary Surge Arrester 150 Vac line-to-ground maximum                                  | QO2175SB  | DE1B     |
|                             | Homeline Surgebreaker cUL <sub>US</sub> Listed Secondary Surge Arrester 150 Vac line-to-ground maximum                            | HOM2175SB | DE1B     |
| Surge Arrester Mounting Kit | UL Listed for mounting SDSA1175 surge arrester into ground bar mounting holes on 1Ø convertible main circuit breaker load centers | QOSAMK    | DE3A     |

Indoor, 1Ø, Main Lugs and Main Circuit Breaker  
1Ø3W—120/240 Vac—UL Listed

Table 1.39: Convertible Main Load Centers (Accepts Only HOM Plug-On Circuit Breakers)

| Mains Rating                                                                                                                                                 | Spaces | Max. Single Pole Circuits [1] | Max. Tandem Circuit Breakers | Load Center Box, Interior and Cover [2] | Main Wire Size AWG/kcmil |        | Equipment Ground Bar Kit (Order Separately) | Box No. [3] |
|--------------------------------------------------------------------------------------------------------------------------------------------------------------|--------|-------------------------------|------------------------------|-----------------------------------------|--------------------------|--------|---------------------------------------------|-------------|
|                                                                                                                                                              |        |                               |                              |                                         | Al                       | Cu     |                                             |             |
| <b>Main Lugs—10 kA Short Circuit Current Rating Order HOM Circuit Breakers (See Homeline™ Circuit Breakers, page 1-20) Factory-installed Fixed Main Lugs</b> |        |                               |                              |                                         |                          |        |                                             |             |
| 70 A                                                                                                                                                         | 2      | 4                             | 2                            | HOM24L70F/S [4] [5]                     | 12-3                     | 14-4   | PK3GTA1                                     | 2           |
| 100 A                                                                                                                                                        | 6      | 12                            | 6                            | HOM612L100F/S [4] [6]                   | 8-1                      |        | PK7GTA                                      | 4           |
| 125 A                                                                                                                                                        | 4      | 8                             | 4                            | HOM48L125GC                             | 12-2/0                   | 14-2/0 | PK7GTA Included                             | 21          |
| <b>Convertible Mains—Factory-installed Main Lugs</b>                                                                                                         |        |                               |                              |                                         |                          |        |                                             |             |
| QOM1 Main Frame Size—Convertible to Main Circuit Breaker (See 1Ø3W—120/240 Vac—UL Listed, page 1-19)                                                         |        |                               |                              |                                         |                          |        |                                             |             |
| 125 A                                                                                                                                                        | 8      | 16                            | 8                            | HOM816L125PC                            | 6-2/0                    | 6-1    | PK9GTA                                      | 6           |
|                                                                                                                                                              | 12     | 24                            | 12                           | HOM1224L125PC                           |                          | 6-1    | PK15GTA                                     | 6           |
|                                                                                                                                                              | 16     | 32                            | 16                           | HOM1632L125PC                           |                          | 6-1/0  | PK15GTA                                     | 8           |
|                                                                                                                                                              | 20     | 40                            | 20                           | HOM2040L125PC                           |                          | 6-1/0  | PK18GTA                                     | 8           |
|                                                                                                                                                              | 30     | 60                            | 30                           | HOM3060L125PC                           |                          | 6-2/0  | PK23GTA                                     | 10          |
| <b>Convertible Mains—Factory-installed Main Lugs</b>                                                                                                         |        |                               |                              |                                         |                          |        |                                             |             |
| QOM2 Main Frame Size—Convertible to Main Circuit Breaker (See 1Ø3W—120/240 Vac—UL Listed, page 1-19)                                                         |        |                               |                              |                                         |                          |        |                                             |             |
| 225 A                                                                                                                                                        | 30     | 60                            | 30                           | HOM3060L225PC                           | 4-300                    | 4-250  | PK23GTA                                     | 10          |
|                                                                                                                                                              | 40     | 80                            | 40                           | HOM4080L225PC                           |                          |        | PK27GTA                                     | 12          |
|                                                                                                                                                              | 42     | 84                            | 42                           | HOM4284L225PC                           |                          |        | PK27GTA                                     | 12          |
|                                                                                                                                                              | 60     | 120                           | 60                           | HOM60120L225PC [7]                      |                          |        | PK27GTA                                     | 25          |
|                                                                                                                                                              |        |                               |                              |                                         |                          |        |                                             |             |
| <b>Convertible Mains—Factory-installed Main Lugs—Ground Bar Included</b>                                                                                     |        |                               |                              |                                         |                          |        |                                             |             |
| QOM1 Main Frame Size—Convertible to Main Circuit Breaker (See 1Ø3W—120/240 Vac—UL Listed, page 1-19)                                                         |        |                               |                              |                                         |                          |        |                                             |             |
| 125 A                                                                                                                                                        | 8      | 16                            | 8                            | HOM816L125PGC                           | 6-2/0                    | 6-1    | PK15GTAL Included                           | 6           |
|                                                                                                                                                              | 12     | 24                            | 12                           | HOM1224L125PGC                          |                          | 6-1    | PK15GTAL Included                           | 6           |
|                                                                                                                                                              | 20     | 40                            | 20                           | HOM2040L125PGC                          |                          | 6-1/0  | PK15GTAL Included                           | 8           |
|                                                                                                                                                              | 24     | 48                            | 24                           | HOM2448L125PGC                          |                          | 6-1/0  | PK15GTAL Included                           | 8           |
| <b>Convertible Mains—Factory-installed Main Lugs—Ground Bar Included</b>                                                                                     |        |                               |                              |                                         |                          |        |                                             |             |
| QOM2 Main Frame Size—Convertible to Main Circuit Breaker (See 1Ø3W—120/240 Vac—UL Listed, page 1-19)                                                         |        |                               |                              |                                         |                          |        |                                             |             |
| 225 A                                                                                                                                                        | 30     | 60                            | 30                           | HOM3060L225PGC                          | 4-300                    | 4-250  | PK15GTAL & PK15GTA Included                 | 10          |
|                                                                                                                                                              | 16     | 32                            | 16                           | HOM1632L225PGC                          |                          |        | PK15GTAL Included                           | 9           |
|                                                                                                                                                              | 20     | 40                            | 20                           | HOM2040L225PGC                          |                          |        | PK15GTAL Included                           | 9           |
|                                                                                                                                                              | 40     | 80                            | 40                           | HOM4080L225PGC                          |                          |        | PK15GTAL & PK15GTA Included                 | 12          |
|                                                                                                                                                              | 42     | 84                            | 42                           | HOM4284L225PGC                          |                          |        | PK15GTAL & PK15GTA Included                 | 12          |
| <b>Main Circuit Breaker—22 kA Short Circuit Current Rating</b>                                                                                               |        |                               |                              |                                         |                          |        |                                             |             |
| <b>Convertible Mains—Factory-installed Main Circuit Breaker</b>                                                                                              |        |                               |                              |                                         |                          |        |                                             |             |
| QOM1 Main Frame Size—Convertible to Main Lugs or Lower Amperage Main Circuit Breaker (See 1Ø3W—120/240 Vac—UL Listed, page 1-19)                             |        |                               |                              |                                         |                          |        |                                             |             |
| 100 A                                                                                                                                                        | 8      | 16                            | 8                            | HOM816M100PC                            | 6-2/0                    | 6-1    | PK9GTA                                      | 5           |
|                                                                                                                                                              | 12     | 24                            | 12                           | HOM1224M100PC                           |                          | 6-2/0  | PK15GTA                                     | 6           |
|                                                                                                                                                              | 20     | 40                            | 20                           | HOM2040M100PC                           |                          | 6-1    | PK18GTA                                     | 7           |
|                                                                                                                                                              | 24     | 48                            | 24                           | HOM2448M100PC                           |                          | 6-2/0  | PK23GTA                                     | 8           |
|                                                                                                                                                              | 30     | 60                            | 30                           | HOM3060M100PC                           |                          | 6-2/0  | PK23GTA                                     | 10          |
| 125 A                                                                                                                                                        | 24     | 48                            | 24                           | HOM2448M125PC                           | 6-2/0                    | 6-1/0  | PK23GTA                                     | 8           |
|                                                                                                                                                              | 30     | 60                            | 30                           | HOM3060M125PC                           |                          | 6-2/0  | PK23GTA                                     | 10          |
| <b>Convertible Mains—Factory-installed Main Circuit Breaker</b>                                                                                              |        |                               |                              |                                         |                          |        |                                             |             |
| QOM2 Main Frame Size—Convertible to Main Lugs or Lower Amperage Main Circuit Breaker (See 1Ø3W—120/240 Vac—UL Listed, page 1-19)                             |        |                               |                              |                                         |                          |        |                                             |             |
| 150 A                                                                                                                                                        | 30     | 60                            | 30                           | HOM3060M150PC                           | 4-250                    |        | PK23GTA                                     | 10          |
| 200 A                                                                                                                                                        | 20     | 40                            | 20                           | HOM2040M200PC                           | 4-250                    |        | PK18GTA                                     | 9           |
|                                                                                                                                                              | 30     | 60                            | 30                           | HOM3060M200PC                           |                          |        | PK23GTA                                     | 10          |
|                                                                                                                                                              | 40     | 80                            | 40                           | HOM4080M200PC                           |                          |        | PK27GTA                                     | 12          |
|                                                                                                                                                              | 42     | 84                            | 42                           | HOM4284M200PC                           |                          |        | PK27GTA                                     | 12          |
|                                                                                                                                                              | 60     | 120                           | 60                           | HOM60120M200C [7]                       |                          |        | PK27GTA                                     | 25          |
| 225 A                                                                                                                                                        | 42     | 84                            | 42                           | HOM4284M225PC                           | 4-300                    | 4-250  | PK27GTA                                     | 12          |

Above listings through 200 A mains rating meet Federal Specification W-P-115c as Type 1, Class 2.

[1] Maximum single pole branch circuits utilizing HOM and/or HOMT circuit breakers.  
 [2] C at end of catalog number indicates combination flush/surface cover included with device.  
 [3] See Indoor Knockout Information and Enclosure Dimensions, page 1-23  
 [4] F/S at end of catalog number indicates to order F for flush device or S for surface device. The cover does not have a door.  
 [5] HOM-GFI and HOM-AFI branch circuit breakers are limited to number 10 maximum wire.  
 [6] 70 A maximum branch circuit breaker, 100 A maximum back feed main circuit breaker.  
 [7] Door kit available separately. Order QOCDK60.

**Rainproof, 1Ø, Main Lugs and Main Circuit Breakers**  
**1Ø3W—120/240 Vac—UL Listed**

**Table 1.40: Convertible Main Load Centers (Accepts Only HOM Plug-On Circuit Breakers.)**

| Mains Rating                                                                                                                                                                                    | Spaces | Max. Single Pole Circuits [8] | Max. Tandem Circuit Breakers | Load Center Box, Interior and Cover | Main Wire Size AWG/kcmil |        | Equipment Ground Bar Kit (Order Separately) | Box No. [9] |
|-------------------------------------------------------------------------------------------------------------------------------------------------------------------------------------------------|--------|-------------------------------|------------------------------|-------------------------------------|--------------------------|--------|---------------------------------------------|-------------|
|                                                                                                                                                                                                 |        |                               |                              | Cat. No. (DE3C)                     | Al                       | Cu     | Cat. No. (DE3A)                             |             |
| <b>Main Lugs—10 kA Short Circuit Current Rating</b>                                                                                                                                             |        |                               |                              |                                     |                          |        |                                             |             |
| Factory-installed Fixed Main Lugs, 10 kA Short Circuit Current Rating                                                                                                                           |        |                               |                              |                                     |                          |        |                                             |             |
| 70 A                                                                                                                                                                                            | 2      | 4                             | 2                            | HOM24L70RB [10]                     | 12-3                     | 14-4   | PK4GTA                                      | 1R          |
| 100 A                                                                                                                                                                                           | 6      | 12                            | 6                            | HOM612L100RB [11]                   | 8-1                      |        | PK7GTA                                      | 2R          |
| 125 A                                                                                                                                                                                           | 4      | 8                             | 4                            | HOM48L125GRB                        | 12-2/0                   | 14-2/0 | PK7GTA Included                             | 15R         |
| <b>Convertible Mains with Factory-installed Main Lugs [12], QOM1 Main Frame Size—Convertible to Main Circuit Breaker (See Below)</b>                                                            |        |                               |                              |                                     |                          |        |                                             |             |
| 125 A                                                                                                                                                                                           | 8      | 16                            | 8                            | HOM816L125PRB                       | 6-2/0                    | 6-1    | PK9GTA                                      | 3R          |
|                                                                                                                                                                                                 | 12     | 24                            | 12                           | HOM1224L125PRB                      |                          |        | PK15GTA                                     | 3R          |
|                                                                                                                                                                                                 | 20     | 40                            | 20                           | HOM2040L125PRB                      |                          |        | PK18GTA                                     | 4R          |
|                                                                                                                                                                                                 | 24     | 48                            | 24                           | HOM2448L125PRB                      |                          |        | PK23GTA                                     | 6R          |
| <b>Convertible Mains with Factory-installed Main Circuit Breaker [12], QOM2 Main Frame Size—Convertible to Main Lugs or Lower Amperage Main Circuit Breaker (See Below)</b>                     |        |                               |                              |                                     |                          |        |                                             |             |
| 225 A                                                                                                                                                                                           | 12     | 12                            | 0                            | HOM12L225PRB                        | 4-300                    | 4-250  | PK9GTA                                      | 5R          |
|                                                                                                                                                                                                 | 16     | 32                            | 16                           | HOM1632L225PRB                      |                          |        | PK15GTA                                     | 6R          |
|                                                                                                                                                                                                 | 20     | 40                            | 20                           | HOM2040L225PRB                      |                          |        | PK18GTA                                     | 6R          |
|                                                                                                                                                                                                 | 30     | 60                            | 30                           | HOM3060L225PRB                      |                          |        | PK23GTA                                     | 7R          |
|                                                                                                                                                                                                 | 40     | 80                            | 40                           | HOM4080L225PRB                      |                          |        | PK27GTA                                     | 14R         |
| 42                                                                                                                                                                                              | 84     | 42                            | HOM4284L225PRB               | PK27GTA                             | 14R                      |        |                                             |             |
| <b>Main Circuit Breaker—22 kA Short Circuit Current Rating</b>                                                                                                                                  |        |                               |                              |                                     |                          |        |                                             |             |
| Convertible Mains with Factory-Installed Main Circuit Breaker, QOM1 Main Frame Size—Convertible to Main Lugs or Lower Amperage Main Circuit Breaker (See Below) [13]                            |        |                               |                              |                                     |                          |        |                                             |             |
| 100 A                                                                                                                                                                                           | 8      | 16                            | 8                            | HOM816M100PRB                       | 6-2/0                    | 6-1    | PK9GTA                                      | 3R          |
|                                                                                                                                                                                                 | 12     | 24                            | 12                           | HOM1224M100PRB                      |                          |        | PK15GTA                                     | 3R          |
|                                                                                                                                                                                                 | 20     | 40                            | 20                           | HOM2040M100PRB                      |                          |        | PK18GTA                                     | 4R          |
| 125 A                                                                                                                                                                                           | 8      | 16                            | 8                            | HOM816M125PRB                       | 6-2/0                    | 6-1    | PK9GTA                                      | 3R          |
|                                                                                                                                                                                                 | 24     | 48                            | 24                           | HOM2448M125PRB                      |                          |        | PK23GTA                                     | 6R          |
| <b>Convertible Mains with Factory-installed Main Circuit Breaker, QOM2 Main Frame Size—Convertible to Main Lugs or Lower Amperage Main Circuit Breaker (See Below)</b>                          |        |                               |                              |                                     |                          |        |                                             |             |
| 150 A                                                                                                                                                                                           | 30     | 60                            | 30                           | HOM3060M150PRB                      | 4-250                    |        | PK23GTA                                     | 7R          |
| 200 A                                                                                                                                                                                           | 12     | 12                            | 0                            | HOM12M200PRB                        | 4-250                    |        | PK9GTA                                      | 5R          |
|                                                                                                                                                                                                 | 20     | 40                            | 20                           | HOM2040M200PRB                      |                          |        | PK18GTA                                     | 6R          |
|                                                                                                                                                                                                 | 30     | 60                            | 30                           | HOM3060M200PRB                      |                          |        | PK23GTA                                     | 7R          |
|                                                                                                                                                                                                 | 40     | 80                            | 40                           | HOM4080M200PRB                      |                          |        | PK27GTA                                     | 14R         |
| <b>Convertible Mains with Factory-installed Main Circuit Breaker with Feed-thru Lugs, QOM2 Main Frame Size—Convertible to Main Lugs or Lower Amperage Main Circuit Breaker (See Below) [12]</b> |        |                               |                              |                                     |                          |        |                                             |             |
| 150 A                                                                                                                                                                                           | 8      | 16                            | 8                            | HOM816M150PFTRB                     | 4-250                    |        | PK15GTA                                     | 6R          |
| 200 A                                                                                                                                                                                           | 8      | 16                            | 8                            | HOM816M200PFTRB                     | 4-250                    |        | PK15GTA                                     | 6R          |

Above listings through 200 A mains rating meet Federal Specification W-P-115c as Type 1, Class 2.

**1Ø, Field-Installed Mains Kits**

**Table 1.41: For Convertible Load Centers Only**



| Field-Installed Main Type | Frame Size | Main [14] Ampere Rating | Use on Convertible Load Center with Mains Rating | Cat. No.  | Lug Wire Size [15] AWG/kcmil |
|---------------------------|------------|-------------------------|--------------------------------------------------|-----------|------------------------------|
| Main Lugs [16]            | —          | 125 A                   | 100-125 A                                        | QOL125    | 6-2/0 Al or Cu               |
|                           |            | 225 A                   | 150-225 A                                        | QOL225    | 6-300 Al or Cu               |
| Main Circuit Breaker [13] | QOM1       | 50 A                    | 100-125 A                                        | QOM50VH   | 12-2/0 Al or Cu              |
|                           |            | 60 A                    | 100-125 A                                        | QOM60VH   |                              |
|                           |            | 70 A                    | 100-125 A                                        | QOM70VH   |                              |
|                           |            | 80 A                    | 100-125 A                                        | QOM80VH   |                              |
|                           |            | 90 A                    | 100-125 A                                        | QOM90VH   |                              |
|                           |            | 100 A                   | 100-125 A                                        | QOM100VH  |                              |
|                           |            | 110 A                   | 125 A                                            | QOM110VH  |                              |
|                           | 125 A      | 125 A                   | QOM125VH                                         |           |                              |
|                           | QOM2 [17]  | 100 A                   | 150-225 A                                        | QOM2100VH | 4-300 Al or Cu               |
|                           |            | 125 A                   | 150-225 A                                        | QOM2125VH |                              |
|                           |            | 150 A                   | 150-225 A                                        | QOM2150VH |                              |
|                           |            | 175 A                   | 200-225 A                                        | QOM2175VH |                              |
|                           |            | 200 A                   | 200-225 A                                        | QOM2200VH |                              |
|                           |            | 225 A                   | 225 A                                            | QOM2225VH |                              |
| 225 A                     |            | 225 A                   | QOM2225VH                                        |           |                              |

[8] Maximum single pole branch circuits utilizing HOM and/or HOMT circuit breakers.

[9] See Rainproof, Dimensions, Knockouts and Bolt-on Hubs, page 1-24

[10] HOM-GFI and HOM-AFI branch circuit breakers are limited to number 10 maximum wire.

[11] 70 A maximum branch circuit breaker, 100 A maximum back feed main circuit breaker.

[12] Side hinge door device allow 1-1/4 in. on left side for door to open.

[13] 22 k AIR main circuit breaker UL Listed for use ahead of HOM and HOMT 10 k AIR branch circuit breakers to permit their application on systems with up to 22 kA available fault current.

[14] Do not exceed the load center mains rating.

[15] Wire range listed for main device kits is the wire range of that device. To find out maximum wire size permitted in a particular load center per UL, see tables in QO™ Load Centers, page 1-3 and QO™ and Homeline™ Load Centers and Circuit Breakers, page 1-15 under Main Wire Size.

[16] If main circuit breaker knockout has been removed from the load center's trim, order appropriate filler plate from QO and Homeline Load Center Accessories, page 1-16.

[17] Add suffix 1021 for 120, 208, 240 Vac shunt trip.



HOM 1P  
1 Space Required



HOM 2P  
2 Spaces Required



HOM2200BB  
Branch Circuit Breaker  
4 Spaces Required

### Homeline Plug-On Circuit Breakers

The Square D Homeline circuit breakers are in a 1 in. wide format for 1-pole circuit breakers. They are designed to plug into Homeline load centers.

Table 1.42: HOM

| Ampere Rating | AIR   | 1P—120/240 Vac Cat. No. | 2P—120/240 Vac Common Trip Cat. No. |
|---------------|-------|-------------------------|-------------------------------------|
| 15 A          | 10 kA | HOM115 [1][2]           | HOM215 [2]                          |
| 20 A          | 10 kA | HOM120 [1][2]           | HOM220 [2]                          |
| 25 A          | 10 kA | HOM125 [2]              | HOM225 [2]                          |
| 30 A          | 10 kA | HOM130 [2]              | HOM230 [2]                          |
| 35 A          | 10 kA | —                       | HOM235 [2]                          |
| 40 A          | 10 kA | HOM140 [2]              | HOM240 [2]                          |
| 45 A          | 10 kA | —                       | HOM245 [2]                          |
| 50 A          | 10 kA | HOM150 [2]              | HOM250 [2]                          |
| 60 A          | 10 kA | —                       | HOM260 [2]                          |
| 70 A          | 10 kA | —                       | HOM270 [2]                          |
| 80 A          | 10 kA | —                       | HOM280 [2]                          |
| 90 A          | 10 kA | —                       | HOM290 [2]                          |
| 100 A         | 10 kA | —                       | HOM2100 [2]                         |
| 110 A         | 10 kA | —                       | HOM2110 [2]                         |
| 125 A         | 10 kA | —                       | HOM2125 [2]                         |
| 150 A         | 10 kA | —                       | HOM2150BB [2][3]                    |
| 175 A         | 10 kA | —                       | HOM2175BB [2][3]                    |
| 200 A         | 10 kA | —                       | HOM2200BB [2][3]                    |

### Homeline High Magnetic (HM) Circuit Breakers

High magnetic trip circuit breakers are recommended for applications where high initial inrush current may occur.

Table 1.43: HOM-HM

| Amperes | 1P—120/240 Vac | 2Ps |
|---------|----------------|-----|
| 15 A    | HOM115HM [4]   | —   |
| 20 A    | HOM120HM [4]   | —   |

### Homeline Combination Arc Fault Circuit Interruptors (HOM-CAFI)

Homeline Combination Arc Fault Circuit Interruptors—Provide overload and short circuit protection, plus arc fault protection in accordance with the NEC and UL1699.



HOM 1P CAFE  
Plug-on Neutral



HOM 1P CAFE  
Pigtail

Table 1.44: HOM-CAFI

| Circuit Breaker Type                                           | Ampere Rating | Poles 120 Vac | Cat. No.          |
|----------------------------------------------------------------|---------------|---------------|-------------------|
| <b>One-Pole</b>                                                |               |               |                   |
| Combination Arc-Fault Circuit Interrupter with Pigtail Neutral | 15 A          | 1             | HOM115CAFI [4]    |
|                                                                | 20 A          | 1             | HOM120CAFI [4]    |
| Plug-On Neutral Combination Arc-Fault Interrupter              | 15 A          | 1             | HOM115PCAFI [4]   |
|                                                                | 20 A          | 1             | HOM120PCAFI [4]   |
| <b>Two-Pole</b>                                                |               |               |                   |
| Combination Arc-Fault Circuit Interrupter with Pigtail Neutral | 15 A          | 2             | HOM215CAFI [4][5] |
|                                                                | 20 A          | 2             | HOM220CAFI [4][5] |

### Homeline Dual Function Circuit Breaker (HOM-DF)

Homeline Combination Arc Fault and Ground Fault Circuit Interrupters (Dual Function)—Provide overload and short circuit protection, plus arc fault and ground fault protection in a single device in accordance with the NEC, UL1699 and UL943.

Table 1.45: HOM-DF

| Circuit Breaker Type                                                            | Ampere Rating | Poles 120 Vac | Cat. No.      |
|---------------------------------------------------------------------------------|---------------|---------------|---------------|
| Combination Arc-Fault and Ground Fault Circuit Interrupter with Pigtail Neutral | 15 A          | 1             | HOM115DF [4]  |
|                                                                                 | 20 A          | 1             | HOM120DF [4]  |
| Plug-On Neutral Combination Arc-Fault and Ground Fault Circuit Interrupter      | 15 A          | 1             | HOM115PDF [4] |
|                                                                                 | 20 A          | 1             | HOM120PDF [4] |



HOM 1P DF  
Plug-on Neutral



HOM 1P DF  
Pigtail

[1] UL Listed as SWD (switching duty) rated. Suitable for switching 120 Vac fluorescent lighting loads.  
 [2] UL Listed as HACR type for use with air conditioning, heating and refrigeration equipment having motor group combinations and marked for use with HACR type circuit breakers.  
 [3] Requires four spaces (1 AWG–300 kcmil Al/Cu). Use only in 1Ø panel rated 150 A or greater.  
 [4] UL Listed as HACR type for use with air conditioning, heating and refrigeration equipment having motor group combinations and marked for use with HACR type circuit breakers.  
 [5] For 120/240 V only, not for 208Y/120 V.



HOM 1P GFI  
(With Ground Fault  
Circuit Interrupter)  
1 Space Required



HOM 2P GFI  
(With Ground Fault  
Circuit Interrupter)  
2 Spaces Required

**Homeline GFI (HOM-GFI)**

HOM-GFI circuit breakers provide overload and short circuit protection, combined with Class A ground fault protection. Class A denotes a ground fault circuit interrupter that will trip when a fault current to ground is 6 milliamperes or more.

**Table 1.46: HOM-GFI**

| Ampere Rating | AIR   | 1P—120 Vac<br>1 Space Required | 2P—120/240 Vac<br>Common Trip<br>2 Spaces Required |
|---------------|-------|--------------------------------|----------------------------------------------------|
| 15 A          | 10 kA | HOM115GFI                      | HOM215GFI                                          |
| 20 A          | 10 kA | HOM120GFI                      | HOM220GFI                                          |
| 30 A          | 10 kA | —                              | HOM230GFI                                          |
| 40 A          | 10 kA | —                              | HOM240GFI                                          |
| 50 A          | 10 kA | —                              | HOM250GFI                                          |

**Homeline Equipment Protection Device (HOM-EPD)**

Homeline Equipment Protection Device—Circuit Breakers with 30 mA Equipment Ground Fault Protection (UL Listed).

**Table 1.47: HOM-EPD—10 k AIR**

| Amperes | 1P—120 Vac | 2P—120/240 Vac<br>Common Trip |
|---------|------------|-------------------------------|
| 15 A    | HOM115EPD  | HOM215EPD                     |
| 20 A    | HOM120EPD  | HOM220EPD                     |
| 25 A    | —          | HOM225EPD                     |
| 30 A    | —          | HOM230EPD                     |
| 40 A    | —          | HOM240EPD                     |
| 50 A    | —          | HOM250EPD                     |

**HOMT Tandem and HOMT Quad Tandem Circuit Breakers**

**Table 1.48: HOMT Tandem Circuit Breakers**

| Ampere Rating [6] | AIR   | 1P Tandem—120/240 Vac (One Space Required) |
|-------------------|-------|--------------------------------------------|
| 15 and 15 A       | 10 kA | HOMT1515 [7]                               |
| 15 and 20 A       | 10 kA | HOMT1520 [7]                               |
| 20 and 20 A       | 10 kA | HOMT2020 [7]                               |
| 30 and 15 A       | 10 kA | HOMT3015 [7]                               |
| 30 and 20 A       | 10 kA | HOMT3020 [7]                               |



HOMT Quad  
Circuit Breaker  
2 Spaces Required

**Table 1.49: HOMT Quad Tandem Circuit Breakers**

| Ampere Rating [6] |      | AIR   | 2P Tandem—120/240 Vac (Two Spaces Required) |
|-------------------|------|-------|---------------------------------------------|
| 1P                | 2P   |       |                                             |
| (2) 15 A          | 15 A | 10 kA | HOMT1515215 [7]                             |
| (2) 15 A          | 20 A | 10 kA | HOMT1515220 [7]                             |
| (2) 15 A          | 25 A | 10 kA | HOMT1515225 [7]                             |
| (2) 15 A          | 30 A | 10 kA | HOMT1515230 [7]                             |
| (2) 15 A          | 40 A | 10 kA | HOMT1515240 [7]                             |
| (2) 15 A          | 50 A | 10 kA | HOMT1515250 [7]                             |
| (2) 20 A          | 20 A | 10 kA | HOMT2020220 [7]                             |
| (2) 20 A          | 25 A | 10 kA | HOMT2020225 [7]                             |
| (2) 20 A          | 30 A | 10 kA | HOMT2020230 [7]                             |
| (2) 20 A          | 40 A | 10 kA | HOMT2020240 [7]                             |
| (2) 20 A          | 50 A | 10 kA | HOMT2020250 [7]                             |

**NOTE:** Typical catalog number (e.g. HOMT 1515230) represents two 1P, outer poles (two 15 A 1P CBs) and one 2P inner circuit breaker with common trip (one 30 A 2P CB).

**Homeline Circuit Breaker Wire Sizes**

**Table 1.50: Circuit Breaker Wire Sizes**

| Breaker Type  | Ampere Rating | Wire Size (AWG/kcmil) [8] |                              |
|---------------|---------------|---------------------------|------------------------------|
|               |               | Aluminum                  | Copper                       |
| HOM<br>1P     | 15–30 A       | 14–8 AWG                  | 14–8 AWG or<br>(2) 14–10 AWG |
|               | 40–50 A       | 8–2 AWG                   | 8–2 AWG                      |
| HOM<br>2P     | 15–30 A       | 14–8 AWG                  | 14–8 AWG or<br>(2) 14–10 AWG |
|               | 35–70 A       | 8–2 AWG                   | 8–2 AWG                      |
|               | 80–125 A      | 4–2/0 AWG                 | 4–2/0 AWG                    |
|               | 150–200 A     | 4 AWG–300 kcmil           | 4 AWG–300 kcmil              |
| HOMT and Quad | 15–30 A       | 14–8 AWG                  | 14–8 AWG                     |
| Quad Only     | 40–50 A       | 6–12 AWG                  | 6–14 AWG                     |
| HOM-GFI - 1P  | 15–20 A       | 14–10 AWG                 | 14–10 AWG                    |
| HOM-GFI - 2P  | 15–50 A       | 12–4 AWG                  | 14–6 AWG                     |

[6] 15–20 A tandem or quad tandem circuit breakers are suitable for use with 60°C or 75°C conductors. 25–50 A tandem or quad tandem circuit breakers are suitable for use with 75°C conductors only.

[7] UL Listed as HACR type for use with air conditioning, heating and refrigeration equipment having motor group combinations and marked for use with HACR type circuit breakers.

[8] 15–30 A circuit breakers are suitable for use with 60°C or 75°C conductors. 40–125 A circuit breakers are suitable for use with 75°C conductors.

## Accessories for Homeline Circuit Breakers

Table 1.51: Accessories

| Description                                                                                                     | Cat. No.      |            |
|-----------------------------------------------------------------------------------------------------------------|---------------|------------|
| <b>Handle Attachments</b>                                                                                       |               |            |
| Handle Tie: Converts any two adjacent 120/240 Vac single HOM circuit breakers to independent trip 2P            | HOM1HT        |            |
| Handle Tie: Converts any two adjacent 120/240 Vac 1P side-by-side HOMT circuit breakers to independent trip 2P  | HOMTHT        |            |
| Handle Clamp: Clamp for holding HOM 1P handle in the ON or OFF position                                         | QO1LO         |            |
| Handle Blocking Device: Attaches to standard HOM 2P circuit breakers for holding the handle in the OFF position | HOM2HBD       |            |
| Handle Padlock Attachment: For padlocking 1P Standard HOM breakers in the ON or OFF position                    | HOM1PA        |            |
| Handle Padlock Attachment: For padlocking 2P Standard HOM circuit breakers in ON or OFF position                | 15–70 A       | HOM2PALA   |
|                                                                                                                 | 80–125 A      | HOM2PAHA   |
|                                                                                                                 | 150–200 A     | HOM2PAVHA  |
| Handle Padlock Attachment: For padlocking 1P CAFI, DF, GFI, and EPD HOM breakers in ON or OFF position          | HOMELEC1PA    |            |
| Handle Padlock Attachment: For padlocking 2P CAFI, GFI, and EPD HOM breakers in ON or OFF position              | HOMELEC2PALA  |            |
| Handle Padlock Attachment: For padlocking center poles of Homeline Quad breakers in the OFF position            | HOMQPA        |            |
| Handle Padlock Attachment: For padlocking main circuit breakers in convertible load center in OFF position      | 50–125 A      | QOM1PA [9] |
|                                                                                                                 | 100–225 A     | QOM2PA [9] |
| <b>Sub-Feed Lugs</b>                                                                                            |               |            |
| 125 A 2P plug-on—2 spaces required                                                                              | HOML2125      |            |
| 225 A 2P plug-on—4 spaces required                                                                              | HOML2225 [10] |            |

[9] 50–125 A QOM1 frame size; 100–225 A QOM2 frame size.

[10] Requires four spaces (1 AWG–300 kcmil Al/Cu). Use only in 1Ø panel rated 150 A or greater.

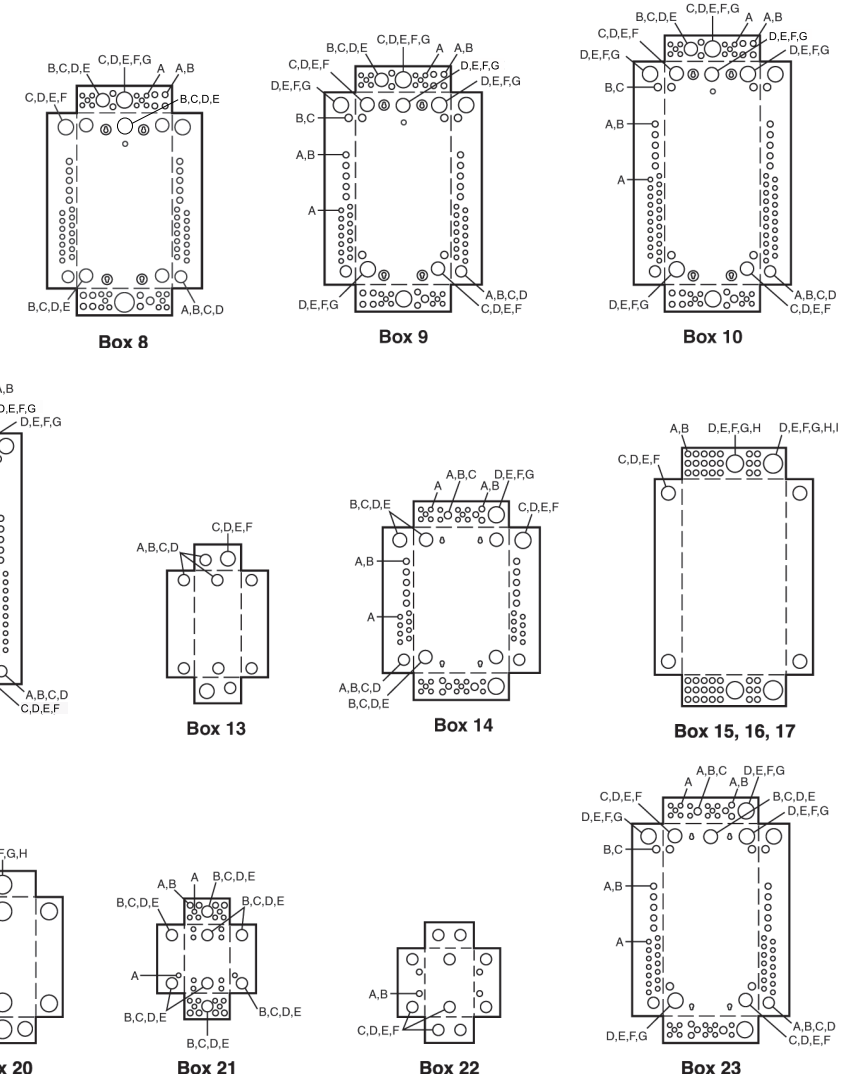
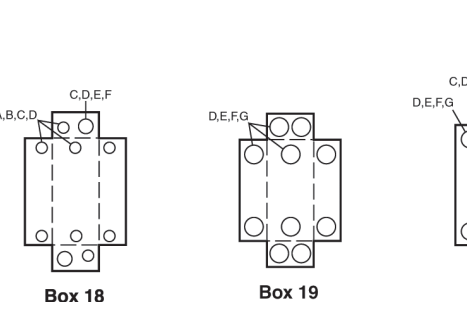
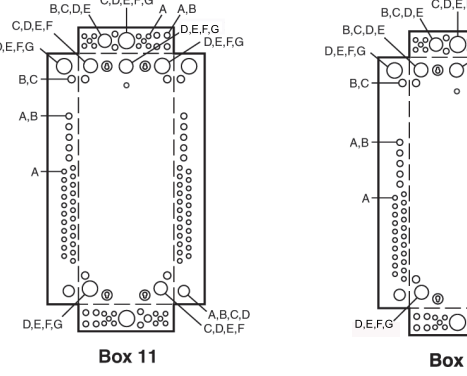
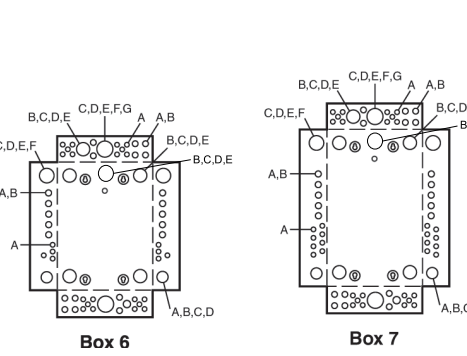
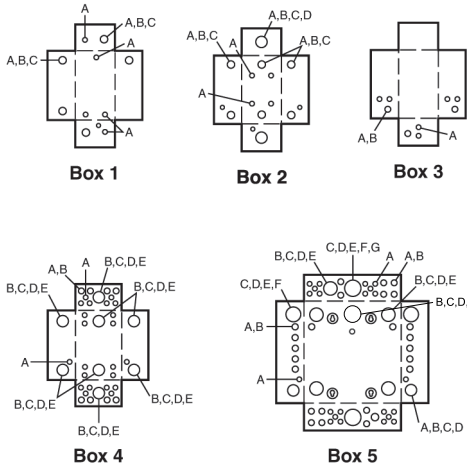
**Indoor Knockout Information and Enclosure Dimensions**

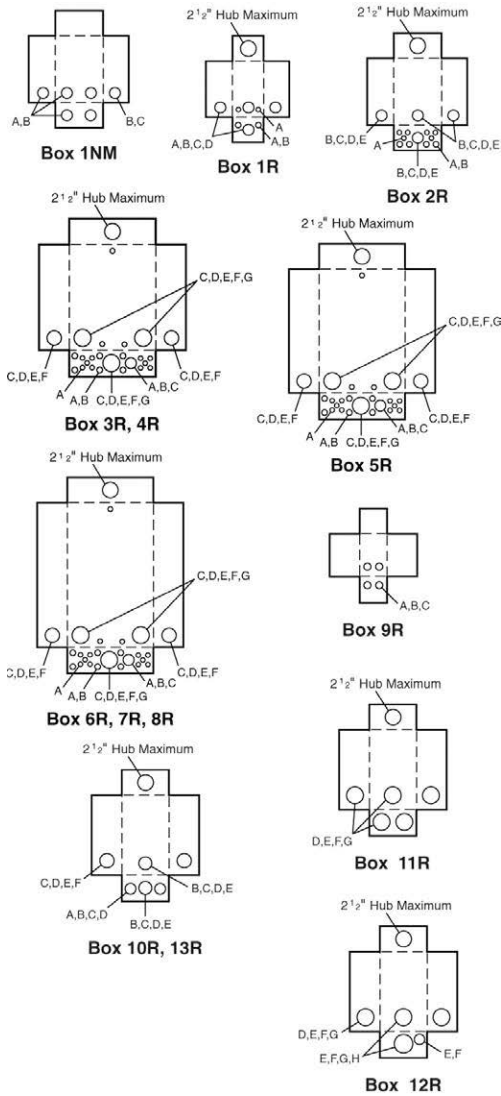
**Table 1.52: Enclosure Dimensions**

| Box No. | Dimensions |     |       | Dimensions |      |    | Box No. | Dimensions |     |       | Dimensions |      |     |
|---------|------------|-----|-------|------------|------|----|---------|------------|-----|-------|------------|------|-----|
|         | in.        | mm  |       | in.        | mm   |    |         | in.        | mm  |       | in.        | mm   |     |
| 1       | 3.81       | 97  | 6.72  | 171        | 3.00 | 76 | 13      | 5.88       | 149 | 13.12 | 333        | 3.38 | 86  |
| 2       | 4.81       | 122 | 9.30  | 236        | 3.19 | 81 | 14      | 14.25      | 362 | 20.92 | 531        | 3.75 | 95  |
| 3       | 4.81       | 122 | 9.30  | 236        | 3.19 | 81 | 15      | 20.00      | 508 | 50.00 | 1270       | 5.75 | 146 |
| 4       | 8.88       | 226 | 12.57 | 319        | 3.80 | 97 | 16      | 20.00      | 508 | 62.00 | 1727       | 5.75 | 146 |
| 5       | 14.25      | 362 | 14.92 | 379        | 3.75 | 95 | 17      | 20.00      | 508 | 53.00 | 1346       | 5.75 | 146 |
| 6       | 14.25      | 362 | 17.92 | 455        | 3.75 | 95 | 18      | 5.88       | 149 | 16.12 | 409        | 3.38 | 86  |
| 7       | 14.25      | 362 | 20.92 | 531        | 3.75 | 95 | 19      | 7.56       | 192 | 23.12 | 587        | 4.25 | 108 |
| 8       | 14.25      | 362 | 26.04 | 661        | 3.75 | 95 | 20      | 9.62       | 244 | 26.12 | 663        | 4.75 | 121 |
| 9       | 14.25      | 362 | 29.86 | 758        | 3.75 | 95 | 21      | 8.88       | 226 | 14.80 | 376        | 3.80 | 97  |
| 10      | 14.25      | 362 | 33.78 | 858        | 3.75 | 95 | 22      | 8.55       | 217 | 23.92 | 608        | 3.95 | 100 |
| 11      | 14.25      | 362 | 37.98 | 965        | 3.75 | 95 | 23      | 14.25      | 362 | 29.86 | 758        | 3.75 | 95  |
| 12      | 14.25      | 362 | 39.37 | 1000       | 3.75 | 95 | 24      | 14.25      | 362 | 43.15 | 1096       | 3.75 | 95  |
|         |            |     |       |            |      |    | 25      | 14.25      | 362 | 48.50 | 1235       | 3.75 | 95  |

**Table 1.53: Knockout Information**

| Symbol       | Knockouts |     |   |       |       |   |       |   |       |
|--------------|-----------|-----|---|-------|-------|---|-------|---|-------|
|              | A         | B   | C | D     | E     | F | G     | H | I     |
| Conduit Size | 1/2       | 3/4 | 1 | 1-1/4 | 1-1/2 | 2 | 2-1/2 | 3 | 3-1/2 |





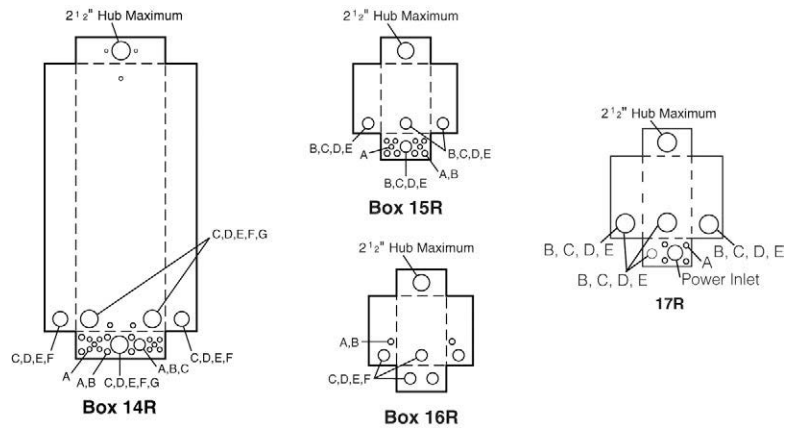
Enclosure Dimensions and Knockout Information

Table 1.54: Enclosure Dimensions

| Box No. | Dimensions |     |       |      |      |     |
|---------|------------|-----|-------|------|------|-----|
|         | W          |     | H     |      | D    |     |
|         | in.        | mm  | in.   | mm   | in.  | mm  |
| 1NM     | 6.52       | 166 | 8.79  | 223  | 3.90 | 99  |
| 1R [1]  | 4.88       | 124 | 9.38  | 238  | 4.00 | 102 |
| 2R      | 8.88       | 226 | 12.65 | 321  | 4.27 | 108 |
| 3R      | 14.75      | 375 | 18.92 | 481  | 4.52 | 115 |
| 4R      | 14.75      | 375 | 22.06 | 560  | 4.52 | 115 |
| 5R      | 14.75      | 375 | 26.04 | 661  | 4.52 | 115 |
| 6R      | 14.75      | 375 | 29.86 | 758  | 4.52 | 115 |
| 7R      | 14.75      | 375 | 33.78 | 858  | 4.52 | 115 |
| 8R      | 14.75      | 375 | 37.98 | 965  | 4.52 | 115 |
| 9R      | 4.56       | 116 | 6.50  | 165  | 3.88 | 99  |
| 10R     | 6.92       | 176 | 13.18 | 335  | 4.12 | 105 |
| 11R     | 7.56       | 192 | 23.24 | 590  | 4.75 | 121 |
| 12R     | 9.62       | 244 | 26.24 | 666  | 5.50 | 140 |
| 13R     | 6.92       | 176 | 16.18 | 411  | 4.12 | 105 |
| 14R     | 14.75      | 375 | 39.37 | 1000 | 4.52 | 115 |
| 15R     | 8.88       | 226 | 14.80 | 376  | 4.27 | 108 |
| 16R     | 8.55       | 217 | 24.75 | 629  | 4.16 | 106 |
| 17R     | 8.88       | 226 | 12.65 | 321  | 4.27 | 108 |

Table 1.55: Knockout Information

| Symbol       | Knockouts |         |       |           |           |       |           |       |
|--------------|-----------|---------|-------|-----------|-----------|-------|-----------|-------|
|              | A         | B       | C     | D         | E         | F     | G         | H     |
| Conduit Size | 1/2 in.   | 3/4 in. | 1 in. | 1-1/4 in. | 1-1/2 in. | 2 in. | 2-1/2 in. | 3 in. |



Bolt-On Hubs

Square D equipment with "R" or "RB" suffix, designated NEMA 3R rainproof construction, utilizes bolt-on hubs listed below. "RB" devices will accept 3/4 in. through 2-1/2 in. bolt-on hubs without the use of reducers. Off-center conduit thread openings and elongated mounting holes provide quick and easy adjustment to eliminate costly conduit offsets and bends. Catalog suffix "R" devices require 3 in. through 4 in. field cut opening. Hubs are suitable for use with conduit having ANSI standard taper pipe thread.

Table 1.56: Bolt-On Hubs UL Listed for "RB" Devices

| Conduit Size | 3/4 in. | 1 in. | 1-1/4 in. | 1-1/2 in. | 2 in. | 2-1/2 in. |
|--------------|---------|-------|-----------|-----------|-------|-----------|
| Hub Cat. No. | B075    | B100  | B125      | B150      | B200  | B250      |

NOTE: Closing cap (Cat. No. BCAP) is provided factory-installed on each device having "RB" suffix.

Table 1.57: Bolt-On Hubs UL Listed for Mounting in Field-Cut Opening

| Conduit Size | 3 in. | 4 in. |                                                                                               |
|--------------|-------|-------|-----------------------------------------------------------------------------------------------|
| Hub Cat. No. | B300  | B400  | Designed for mounting in field cut opening. Includes gasket and four mounting bolts and nuts. |

[1] HOME250SPA and QO260NATR top endwall has no hub opening.

**Catalog Number Logic for CSED**

**Table 1.58: Catalog Numbers for Combination Service Entrance Devices**

| Number Segment                         | Character                   | Description                                                             | R | C | 8 | 16 | D | 200 | C | H | X | S |
|----------------------------------------|-----------------------------|-------------------------------------------------------------------------|---|---|---|----|---|-----|---|---|---|---|
| Socket Type                            | Q                           | QO Ringless                                                             |   |   |   |    |   |     |   |   |   |   |
|                                        | R                           | HOM Ringless                                                            |   |   |   |    |   |     |   |   |   |   |
|                                        | C                           | QO Ring type                                                            |   |   |   |    |   |     |   |   |   |   |
|                                        | S                           | HOM Ring type                                                           |   |   |   |    |   |     |   |   |   |   |
| Service Feed                           | Blank                       | Combination overhead/underground                                        |   |   |   |    |   |     |   |   |   |   |
|                                        | C                           | Combination overhead/underground                                        |   |   |   |    |   |     |   |   |   |   |
|                                        | O                           | Overhead only                                                           |   |   |   |    |   |     |   |   |   |   |
|                                        | U                           | Underground only                                                        |   |   |   |    |   |     |   |   |   |   |
| Spaces (Service Discounts or Branches) | #                           | Maximum # of 1-pole circuits                                            |   |   |   |    |   |     |   |   |   |   |
|                                        | #                           | Maximum # of 1-pole spaces                                              |   |   |   |    |   |     |   |   |   |   |
| Interior                               | D                           | Dual main service disconnects (feed-thru lugs on meter mains only)      |   |   |   |    |   |     |   |   |   |   |
|                                        | F                           | Single main service disconnect with feed-thru lugs                      |   |   |   |    |   |     |   |   |   |   |
|                                        | L                           | Main lug interior (service disconnects field installed)                 |   |   |   |    |   |     |   |   |   |   |
|                                        | M                           | Single main service disconnect                                          |   |   |   |    |   |     |   |   |   |   |
| Amperage Rating                        | 100                         | 100 A                                                                   |   |   |   |    |   |     |   |   |   |   |
|                                        | 125                         | 125 A                                                                   |   |   |   |    |   |     |   |   |   |   |
|                                        | 150                         | 150 A                                                                   |   |   |   |    |   |     |   |   |   |   |
|                                        | 200                         | 200 A                                                                   |   |   |   |    |   |     |   |   |   |   |
|                                        | 225                         | 225 A                                                                   |   |   |   |    |   |     |   |   |   |   |
|                                        | 400                         | 400 A                                                                   |   |   |   |    |   |     |   |   |   |   |
| Enclosure Mounting Style               | C                           | Surface mount or convertible to semi-flush (use appropriate flange kit) |   |   |   |    |   |     |   |   |   |   |
|                                        | F                           | Semi-flush mount only                                                   |   |   |   |    |   |     |   |   |   |   |
|                                        | R                           | Reverse mount only                                                      |   |   |   |    |   |     |   |   |   |   |
|                                        | RB                          | Surface mount only with "B" hub provision in top endwall                |   |   |   |    |   |     |   |   |   |   |
|                                        | S                           | Surface mount only                                                      |   |   |   |    |   |     |   |   |   |   |
|                                        | PF                          | Home PoN semi-flush mount device                                        |   |   |   |    |   |     |   |   |   |   |
| Meter Socket Bypass Type               | PS                          | Home PoN surface mount device                                           |   |   |   |    |   |     |   |   |   |   |
|                                        | H                           | Horn by-pass                                                            |   |   |   |    |   |     |   |   |   |   |
|                                        | K                           | K-4 bolt-on, no by-pass                                                 |   |   |   |    |   |     |   |   |   |   |
|                                        | L                           | Class 320 with lever by-pass                                            |   |   |   |    |   |     |   |   |   |   |
|                                        | N                           | Class 320, No by-pass                                                   |   |   |   |    |   |     |   |   |   |   |
|                                        | B                           | Class 320 with test block by-pass                                       |   |   |   |    |   |     |   |   |   |   |
|                                        | Blank                       | No by-pass                                                              |   |   |   |    |   |     |   |   |   |   |
| X                                      | 2 piece lever by-pass cover |                                                                         |   |   |   |    |   |     |   |   |   |   |
| Application                            | S                           | Solar ready                                                             |   |   |   |    |   |     |   |   |   |   |

Rainproof Meter Mains

Table 1.59: Rainproof Meter Mains

| Ampere Rating                                                                                      | Bypass Type | Service (Type of Feed) |                | Short Circuit Current Rating | Cat. No.             | Service Disconnect(s) |                             |                    | Load Center and Branch Circuit Breakers (Order separately [1]) |          |                    |            | Hub Type (Order separately [2]) | Line Side Main Lugs AWG/kcmil (Al/Cu) | Service Ground Lug AWG/kcmil (Al/Cu) | Weight Each (Lbs) and Pallet Qty. |
|----------------------------------------------------------------------------------------------------|-------------|------------------------|----------------|------------------------------|----------------------|-----------------------|-----------------------------|--------------------|----------------------------------------------------------------|----------|--------------------|------------|---------------------------------|---------------------------------------|--------------------------------------|-----------------------------------|
|                                                                                                    |             | UL                     | UL and EU-SERC |                              |                      | 2P Circuits (Max.)    | Type (Order separately [3]) | Ampere Rating Max. | Max. Quantity                                                  |          | Ampere Rating Max. |            |                                 |                                       |                                      |                                   |
|                                                                                                    |             |                        |                |                              |                      |                       |                             |                    | Circuits                                                       | Tan-dems |                    |            |                                 |                                       |                                      |                                   |
| <b>Ring Type, QOT™</b>                                                                             |             |                        |                |                              |                      |                       |                             |                    |                                                                |          |                    |            |                                 |                                       |                                      |                                   |
| <b>Surface Mount Only</b>                                                                          |             |                        |                |                              |                      |                       |                             |                    |                                                                |          |                    |            |                                 |                                       |                                      |                                   |
| 125 A                                                                                              | None        | OH/UG                  | —              | 10 kA                        | C125RB               | 1                     | QOM1-VH                     | 125 A              | —                                                              | —        | —                  | —          | B                               | 4-1/0                                 | 8-1/0                                | 15, 54                            |
|                                                                                                    |             | OH/UG                  | —              | 22 kA                        | CM200S               | 1                     | QOM2-VH                     | 200 A              | —                                                              | —        | —                  | —          | A                               | 4-250                                 | (2)8-2/0                             | 26, 24                            |
| 200 A                                                                                              | None        | OH/UG                  | —              | 22 kA                        | C2M200S              | 1                     | QOM2-VH                     | 200 A              | —                                                              | —        | —                  | —          | A                               | 4-250                                 | (2)8-2/0                             | 27, 20                            |
|                                                                                                    |             | OH/UG                  | —              | 10 kA                        | C4L200S              | 2                     | QO                          | 100 A              | —                                                              | —        | —                  | —          | A                               | 4-250                                 | (2)8-2/0                             | 27, 28                            |
| <b>Ring Type, Homeline™</b>                                                                        |             |                        |                |                              |                      |                       |                             |                    |                                                                |          |                    |            |                                 |                                       |                                      |                                   |
| <b>Surface Mount Only</b>                                                                          |             |                        |                |                              |                      |                       |                             |                    |                                                                |          |                    |            |                                 |                                       |                                      |                                   |
| 125 A                                                                                              | None        | OH/UG                  | OH/UG          | 10 kA                        | SC8L125S             | 4                     | HOM                         | 125 A [4]          | —                                                              | —        | —                  | —          | A                               | 6-2/0                                 | 6-2/0                                | 31, 24                            |
| 200 A                                                                                              | None        | OH/UG                  | OH/UG          | 10 kA                        | SC12L200S            | 6                     | HOM                         | 200 A [5]          | —                                                              | —        | —                  | —          | A-L                             | 4-250                                 | 8-2/0                                | 40, 10                            |
| <b>Semiflush Mount only</b>                                                                        |             |                        |                |                              |                      |                       |                             |                    |                                                                |          |                    |            |                                 |                                       |                                      |                                   |
| 125 A                                                                                              | None        | OH/UG                  | OH/UG          | 10 kA                        | SC8L125F             | 4                     | HOM                         | 110 A              | —                                                              | —        | —                  | —          | A or B300                       | 6-2/0                                 | 6-2/0                                | 37, 20                            |
| 200 A                                                                                              | None        | OH [6]/UG              | OH [6]/UG      | 10 kA                        | SC12L200F            | 6                     | HOM                         | 200 A [7]          | —                                                              | —        | —                  | —          | A-L                             | 4-250                                 | 8-2/0                                | 47, 10                            |
| 200 A                                                                                              | None        | OH [6]/UG              | OH [6]/UG      | 22 kA                        | SC816F200F [8]       | 1                     | QOM2200VH [4]               | 200 A              | 8                                                              | 16       | 8                  | 200 A [7]  | A-L                             | 4-250                                 | 8-2/0                                | 51, 10                            |
| <b>Surface Mount—Supplied with Feed-Thru Lugs and provisions for Branch Circuit Breakers</b>       |             |                        |                |                              |                      |                       |                             |                    |                                                                |          |                    |            |                                 |                                       |                                      |                                   |
| 150 A                                                                                              | None        | OH/UG                  | OH/UG          | 22 kA                        | SC816F150S [8]       | 1                     | QOM2150VH [9]               | 150 A              | 8                                                              | 16       | 8                  | 150 A [10] | A-L                             | 4-250                                 | 8-2/0                                | 40, 10                            |
|                                                                                                    |             | —                      | —              | 10 kA                        | SC816D150C [8] [11]  | 1                     | HOM2150 [9]                 | 150 A 50 A         | 8                                                              | 16       | 8                  | 100 A [12] | A or A-L                        | 6-300                                 | 8-1/0                                | 48, 18                            |
|                                                                                                    |             | UG                     | UG             | 10 kA                        | SU816D150C [8] [11]  | 1                     | HOM                         | 150 A 50 A         | 8                                                              | 16       | 8                  | 100 A [12] | A or A-L                        | 6-300                                 | 8-1/0                                | 48, 18                            |
| 200 A                                                                                              | None        | OH/UG                  | OH/UG          | 22 kA                        | SC816F200S [8]       | 1                     | QOM2200VH [9]               | 200 A              | 8                                                              | 16       | 8                  | 200 A [13] | A-L                             | 4-250                                 | 8-2/0                                | 40, 10                            |
|                                                                                                    |             | —                      | —              | 10 kA                        | SC816D200C [8] [11]  | 1                     | HOM2200 [9]                 | 200 A 50 A         | 8                                                              | 16       | 8                  | 100 A [12] | A or A-L                        | 6-300                                 | 8-1/0                                | 48, 18                            |
|                                                                                                    |             | UG                     | UG             | 10 kA                        | SU816D200C [8] [11]  | 1                     | HOM                         | 200 A 50 A         | 8                                                              | 16       | 8                  | 100 A [12] | A or A-L                        | 6-300                                 | 8-1/0                                | 48, 18                            |
| <b>Ringless, QOT™</b>                                                                              |             |                        |                |                              |                      |                       |                             |                    |                                                                |          |                    |            |                                 |                                       |                                      |                                   |
| <b>Surface Mount Only</b>                                                                          |             |                        |                |                              |                      |                       |                             |                    |                                                                |          |                    |            |                                 |                                       |                                      |                                   |
| 200 A                                                                                              | None        | OH/UG                  | —              | 22 kA                        | RC200S [14]          | 1                     | QOM2-VH                     | 200 A              | —                                                              | —        | —                  | —          | A                               | 6-350                                 | (2)8-2/0                             | 26, 24                            |
|                                                                                                    | Lever       | OH/UG                  | —              | 10 kA                        | RCM200SL [14] [15]   | 1                     | QOM2-VH                     | 200 A              | —                                                              | —        | —                  | —          | A                               | 6-350                                 | 8-1/0                                | 60 / 14                           |
|                                                                                                    | None        | OH/UG                  | —              | 22 kA                        | RC2M200S [14]        | 1                     | QOM2-VH                     | 200 A              | —                                                              | —        | —                  | —          | A                               | 6-350                                 | (2)8-2/0                             | 27, 20                            |
|                                                                                                    | Horn        | OH/UG                  | —              | 22 kA                        | RC2M200SH [14]       | 1                     | QOM2-VH                     | 200 A 50 A         | —                                                              | —        | —                  | —          | A                               | 6-350                                 | (2)8-2/0                             | 27, 20                            |
|                                                                                                    | Lever       | OH/UG                  | —              | 10 kA                        | RC2M200SL [14] [15]  | 1                     | QOM2-VH                     | 200 A              | —                                                              | —        | —                  | —          | A                               | 6-350                                 | 8-1/0                                | 60 / 14                           |
|                                                                                                    |             | OH/UG                  | —              | 10 kA                        | RC2M200SL [14] [15]  | 1                     | QO-VH                       | 50 A               | —                                                              | —        | —                  | —          | A                               | 6-350                                 | 8-1/0                                | 60 / 14                           |
|                                                                                                    | None        | OH/UG                  | —              | 22 kA                        | QC12L200S [14] [15]  | 6                     | QO-VH                       | 200 A              | —                                                              | —        | —                  | —          | A                               | 6-350                                 | 8-2/0                                | 43, 21                            |
|                                                                                                    | None        | OH/UG                  | —              | 22 kA                        | QC12L200C [14]       | 6                     | QO-VH                       | 200 A [7]          | —                                                              | —        | —                  | —          | A                               | 6-350                                 | 12-2/0                               | 40, 21                            |
| <b>Surface Mount Only, Supplied with Feed-Thru Lugs and provisions for Branch Circuit Breakers</b> |             |                        |                |                              |                      |                       |                             |                    |                                                                |          |                    |            |                                 |                                       |                                      |                                   |
| 100 A                                                                                              | Horn        | OH/UG                  | —              | 22 kA                        | QC816F100SH [8] [14] | 1                     | QOM2100VH [9]               | 100 A              | 8                                                              | 16       | 8                  | 100        | A                               | 6-350                                 | 8-2/0                                | 43, 21                            |
|                                                                                                    |             | OH/UG                  | —              | 22 kA                        | QC816F100CH [8] [14] | 1                     | QOM2100VH [9]               | 100 A              | 8                                                              | 16       | 8                  | 100        | A                               | 6-350                                 | 12-2/0                               | 40, 21                            |
| 125 A                                                                                              | None        | OH/UG                  | —              | 22 kA                        | QC816F125S [8] [14]  | 1                     | QOM2125VH [9]               | 125 A              | 8                                                              | 16       | 8                  | 100        | A                               | 6-350                                 | 8-2/0                                | 43, 21                            |
|                                                                                                    | None        | OH/UG                  | —              | 22 kA                        | QC816F125C [8] [14]  | 1                     | QOM2125VH [9]               | 125 A              | 8                                                              | 16       | 8                  | 100        | A                               | 6-350                                 | 12-2/0                               | 40, 21                            |
|                                                                                                    | Horn        | OH/UG                  | —              | 22 kA                        | QC816F125SH [8] [14] | 1                     | QOM2125VH [9]               | 125 A              | 8                                                              | 16       | 8                  | 100        | A                               | 6-350                                 | 8-2/0                                | 43, 21                            |
| 150 A                                                                                              | None        | OH/UG                  | —              | 22 kA                        | QC816F150S [8] [14]  | 1                     | QOM2150VH [9]               | 150 A              | 8                                                              | 16       | 8                  | 150 A [17] | A                               | 6-350                                 | 8-2/0                                | 43, 21                            |
|                                                                                                    | None        | OH/UG                  | —              | 22 kA                        | QC816F150C [8] [14]  | 1                     | QOM2150VH [9]               | 150 A              | 8                                                              | 16       | 8                  | 150 A [17] | A                               | 6-350                                 | 12-2/0                               | 40, 21                            |
|                                                                                                    | Horn        | OH/UG                  | —              | 22 kA                        | QC816F150SH [8] [14] | 1                     | QOM2150VH [9]               | 150 A              | 8                                                              | 16       | 8                  | 150 A [17] | A                               | 6-350                                 | 8-2/0                                | 43, 21                            |
|                                                                                                    | Lever       | OH/UG                  | —              | 22 kA                        | QC816F150SL [18]     | 1                     | QOM2150-VH [9]              | 200 A              | 8                                                              | 16       | 8                  | 150 A      | A                               | 6-350                                 | 8-2/0                                | 74 / 12                           |

[1] To order branch circuit breakers, see QO Plug-On Circuit Breakers, page 1-10  
 [2] To order hubs, see Accessories and Hubs for CSEDs, page 1-31  
 [3] To order service disconnects, see Circuit Breakers for CSEDs, page 1-30 except as noted)  
 [4] Service disconnect supplied factory-installed.  
 [5] Use only 15–110 A and 150–200 A breakers.  
 [6] Suitable for OH service with addition of tunnel kit (SCTK20). Order separately.  
 [7] Use only 15–100 A and 150–200 A circuit breakers.  
 [8] Supplied with load side feed-thru lugs, for 4 AWG–250 kcmil (Al/Cu) conductors.  
 [9] Service disconnect supplied factory-installed.  
 [10] Use only 15–110 A and 150 A breakers.  
 [11] Convertible to semiflush with SC200F flange kit (order separately).  
 [12] A 100 A circuit breaker can be installed in bottom position only, all other positions are limited to 70 A max.  
 [13] Use only 15–110 A and 150–200 A breakers.  
 [14] Device supplied with barrel lock provisions factory-installed.  
 [15] 5th jaw factory-installed.  
 [16] Suitable for load wires to exit top endwall with addition of Tunnel Kit OHBS, see Table 1.65 Accessories, page 1-31, check with local utility for approval.  
 [17] Use only 15–100 A and 150 A circuit breakers.  
 [18] Supplied with load side feed-thru lugs, for 4 AWG–250 kcmil (Al/Cu) conductors.



by Schneider Electric

schneider-electric.us

# Rainproof, Meter Mains

Class 4119, 4120

# Combination Service Entrance Devices

Table 1.59 Rainproof Meter Mains (cont'd.)

| Ampere Rating                                                                                      | Bypass Type | Service (Type of Feed) |                | Short Circuit Current Rating | Cat. No.                        | Service Disconnect(s) |                             |                    | Load Center and Branch Circuit Breakers (Order separately [1]) |          |                    |            | Hub Type (Order separately [2]) | Line Side Main Lugs AWG/kcmil (Al/Cu) | Service Ground Lug AWG/kcmil (Al/Cu) | Weight Each (Lbs) and Pallet Qty. |       |
|----------------------------------------------------------------------------------------------------|-------------|------------------------|----------------|------------------------------|---------------------------------|-----------------------|-----------------------------|--------------------|----------------------------------------------------------------|----------|--------------------|------------|---------------------------------|---------------------------------------|--------------------------------------|-----------------------------------|-------|
|                                                                                                    |             | UL                     | UL and EU-SERC |                              |                                 | 2P Circuits (Max.)    | Type (Order separately [3]) | Ampere Rating Max. | Max. Quantity                                                  |          | Ampere Rating Max. |            |                                 |                                       |                                      |                                   |       |
|                                                                                                    |             |                        |                |                              |                                 |                       |                             |                    | Spaces                                                         | Circuits |                    | Tan-dems   |                                 |                                       |                                      |                                   |       |
| 200 A                                                                                              | None        | OH/UG                  | —              | 22 kA                        | QC816F200S [19] [20] [21] [22]  | 1                     | QOM2200VH [23]              | 200 A              | 8                                                              | 16       | 8                  | 200 A [24] | A                               | 6-350                                 | 8-2/0                                | 43, 21                            |       |
|                                                                                                    | Horn        | OH/UG                  | —              | 22 kA                        | QC816F200SH [19] [20] [21] [22] | 1                     | QOM2200VH [23]              | 200 A              | 8                                                              | 16       | 8                  | 200 A [24] | A                               | 6-350                                 |                                      |                                   |       |
|                                                                                                    | Horn        | OH/UG                  | —              | 22 kA                        | QC816F200CH [19] [20]           | 1                     | QOM2200VH [23]              | 200 A              | 8                                                              | 16       | 8                  | 200 A [24] | A                               | 6-350                                 | 12-2/0                               | 40, 21                            |       |
|                                                                                                    | Lever       | OH/UG                  | —              | 22 kA                        | QC816F200SL [19] [20] [21] [22] | 1                     | QOM2200-VH [23]             | 200 A              | 8                                                              | 16       | 8                  | 200 A      | A                               | 6-350                                 | 8-2/0                                | 74 / 12                           |       |
| <b>Ringless, Homeline™</b>                                                                         |             |                        |                |                              |                                 |                       |                             |                    |                                                                |          |                    |            |                                 |                                       |                                      |                                   |       |
| <b>Surface Mount Only</b>                                                                          |             |                        |                |                              |                                 |                       |                             |                    |                                                                |          |                    |            |                                 |                                       |                                      |                                   |       |
| 125 A                                                                                              | None        | OH/UG                  | —              | 10 kA                        | RC8L125S [25]                   | 4                     | HOM                         | 125 A [26]         | —                                                              | —        | —                  | —          | A                               | 6-2/0                                 | 6-2/0                                | 27, 32                            |       |
| 200 A                                                                                              | None        | OH/UG                  | —              | 10 kA                        | RC12L200S [20] [21] [22]        | 6                     | HOM                         | 200 A [24]         | —                                                              | —        | —                  | —          | A                               | 6-350                                 | 8-2/0                                | 43, 21                            |       |
| 200 A                                                                                              | None        | OH/UG                  | —              | 22 kA                        | RC12L200C [20]                  | 6                     | HOM                         | 200 A [24]         | —                                                              | —        | —                  | —          | A                               | 6-350                                 | 12-2/0                               | 40, 21                            |       |
| <b>Surface Mount Only, Supplied with Feed-Thru Lugs and provisions for Branch Circuit Breakers</b> |             |                        |                |                              |                                 |                       |                             |                    |                                                                |          |                    |            |                                 |                                       |                                      |                                   |       |
| 100 A                                                                                              | Horn        | OH/UG                  | —              | 22 kA                        | RC816F100SH [19] [20] [21] [22] | 1                     | QOM2100VH [23]              | 100 A              | 8                                                              | 16       | 8                  | 100 A      | A                               | 6-350                                 | 8-2/0                                | 43, 21                            |       |
| 100 A                                                                                              | Horn        | OH/UG                  | —              | 22 kA                        | RC816F100CH [19] [20] [21]      | 1                     | QOM2100VH [23]              | 100 A              | 8                                                              | 16       | 8                  | 100 A      |                                 |                                       | 12-2/0                               | 40, 21                            |       |
| 125 A                                                                                              | Horn        | OH/UG                  | —              | 22 kA                        | RC816F125SH [19] [21] [22]      | 1                     | QOM2125VH [23]              | 125 A              | 8                                                              | 16       | 8                  | 100 A      |                                 |                                       | 8-2/0                                | 43, 21                            |       |
| 125 A                                                                                              | Horn        | OH/UG                  | —              | 22 kA                        | RC816F125CH [19] [20]           | 1                     | QOM2125VH [23]              | 125 A              | 8                                                              | 16       | 8                  | 100 A      |                                 |                                       | 12-2/0                               | 40, 21                            |       |
| 150 A                                                                                              | None        | OH/UG                  | —              | 22 kA                        | RC816F150S [19] [20] [22]       | 1                     | QOM2150VH [23]              | 150 A              | 8                                                              | 16       | 8                  | 150 A [27] |                                 |                                       | 8-2/0                                | 43, 21                            |       |
|                                                                                                    | None        | OH/UG                  | —              | 22 kA                        | RC816F150C [19] [20]            | 1                     | QOM2150VH [23]              | 150 A              | 8                                                              | 16       | 8                  | 150 A [27] |                                 |                                       | 12-2/0                               | 40, 21                            |       |
|                                                                                                    | Horn        | OH/UG                  | —              | 22 kA                        | RC816F150SH [19] [20] [21] [22] | 1                     | QOM2150VH [23]              | 150 A              | 8                                                              | 16       | 8                  | 150 A [27] |                                 |                                       | 8-2/0                                | 43, 21                            |       |
|                                                                                                    | Horn        | OH/UG                  | —              | 22 kA                        | RC816F150CH [19] [20] [21]      | 1                     | QOM2150VH [23]              | 150 A              | 8                                                              | 16       | 8                  | 150 A [27] |                                 |                                       | 12-2/0                               | 40, 21                            |       |
| 200 A                                                                                              | Lever       | OH/UG                  | —              | 22 kA                        | RC816F150SL [20] [21] [28]      | 1                     | QOM2150-VH [23]             | 200 A              | 8                                                              | 16       | 8                  | 150 A      |                                 |                                       | 8-2/0                                | 72 / 12                           |       |
|                                                                                                    | None        | OH/UG                  | —              | 22 kA                        | RC816F200S [19] [20] [21] [22]  | 1                     | QOM2200VH [23]              | 200 A              | 8                                                              | 16       | 8                  | 200 A [24] |                                 |                                       | 8-2/0                                | 43, 21                            |       |
|                                                                                                    | None        | OH/UG                  | —              | 22 kA                        | RC816F200C [19] [20]            | 1                     | QOM2200VH [23]              | 200 A              | 8                                                              | 16       | 8                  | 200 A [24] |                                 |                                       | 12-2/0                               | 40, 21                            |       |
|                                                                                                    | Horn        | OH/UG                  | —              | 22 kA                        | RC816F200SH [19] [20] [21] [22] | 1                     | QOM2200VH [23]              | 200 A              | 8                                                              | 16       | 8                  | 200 A [24] |                                 |                                       | 8-2/0                                | 43, 21                            |       |
|                                                                                                    | Horn        | OH/UG                  | —              | 22 kA                        | RC816F200CH [19] [20] [21]      | 1                     | QOM2200VH [23]              | 200 A              | 8                                                              | 16       | 8                  | 200 A [24] |                                 |                                       | 12-2/0                               | 40, 21                            |       |
| 200 A                                                                                              | Lever       | OH/UG                  | —              | 22 kA                        | RC816F200SL [19] [20] [21] [28] | 1                     | QOM2200-VH [23]             | 200 A              | 8                                                              | 16       | 8                  | 200 A      |                                 |                                       | 8-2/0                                | 72 / 12                           |       |
|                                                                                                    | Horn        | OH/UG                  | —              | 10 kA                        | RC816D200CH [29] [19] [21] [25] | 1                     | HOM2200 [23]                | 200 A              | 8                                                              | 16       | 8                  | 100 A [30] |                                 |                                       | A or B300                            | 6-300                             | 6-1/0 |
|                                                                                                    |             |                        |                |                              |                                 |                       |                             | 50 A               |                                                                |          |                    |            |                                 |                                       |                                      |                                   |       |

[1] To order branch circuit breakers, see QO Plug-On Circuit Breakers, page 1-10

[2] To order hubs, see Accessories and Hubs for CSEDs, page 1-31

[3] To order service disconnects, see Circuit Breakers for CSEDs, page 1-30 except as noted

[19] Supplied with load side feed-thru lugs, for 4 AWG-250 kcmil (Al/Cu) conductors.

[20] Device supplied with barrel lock provisions factory-installed.

[21] 5th jaw factory-installed.

[22] Suitable for load wires to exit top endwall with addition of Tunnel Kit OHBS, see Table 1.65 Accessories, page 1-31, check with local utility for approval.

[23] Service disconnect supplied factory-installed.

[24] Use only 15-100 A and 150-200 A circuit breakers.

[25] Knockout provided in cover for use with barrel lock kit SCBRLLOCK (see Accessories).

[26] 125 A Homeline™ 2P circuit breaker can be installed in top position only. All other positions are limited to 100 A max.

[27] Use only 15-100 A and 150 A circuit breakers.

[28] Suitable for load wires to exit top endwall with addition of Tunnel Kit OHBL, see Table 1.65 Accessories, page 1-31, check with local utility for approval.

[29] Convertible to semiflush with SC200F flange kit (order separately).

[30] A 100 A circuit breaker can be installed in bottom position only, all other positions are limited to 70 A max.

Meter Mains and All-In-Ones (100 to 225 A Maximum)

- Ring or ringless type meter socket designs available
- UL Listed, suitable only for use as service equipment
- Meets EUSERC standards
- Service disconnect(s) are supplied factory-installed, except where noted
- Semiflush-reverse design available, supplied with load center (indoor access)
- Supplied with 100% branch neutrals, all unused terminals may be used for equipment grounding wires.
- Meets Federal Specification W-P-115c as Type 1, Class 2

Table 1.60: All-In-One Combination Service Entrance Devices

| Ampere Rating                                                                                                      | Bypass Type | Service (Type of Feed) UL and EUSERC | Short Circuit Current Rating | Cat. No. (DE3A)        | Service Disconnect(s) |                          |                    | Load Center and Branch Circuit Breakers (Order separately [31]) |        |          |                    | Hub Type [32] (Order separately) | Line Side Main Lug AWG/kcmil (Al/Cu) | Service Ground Lug AWG/kcmil (Al/Cu) | Weight Each (Lbs) and Pallet Qty. |
|--------------------------------------------------------------------------------------------------------------------|-------------|--------------------------------------|------------------------------|------------------------|-----------------------|--------------------------|--------------------|-----------------------------------------------------------------|--------|----------|--------------------|----------------------------------|--------------------------------------|--------------------------------------|-----------------------------------|
|                                                                                                                    |             |                                      |                              |                        | 2P Circuits (Max.)    | Type (Factory Installed) | Ampere Rating Max. | Max. Quantity                                                   | 1P     |          | Ampere Rating Max. |                                  |                                      |                                      |                                   |
|                                                                                                                    |             |                                      |                              |                        |                       |                          |                    |                                                                 | Spaces | Circuits |                    |                                  |                                      |                                      |                                   |
| <b>Ring Type, Homeline™</b>                                                                                        |             |                                      |                              |                        |                       |                          |                    |                                                                 |        |          |                    |                                  |                                      |                                      |                                   |
| <b>Surface Mount Only</b>                                                                                          |             |                                      |                              |                        |                       |                          |                    |                                                                 |        |          |                    |                                  |                                      |                                      |                                   |
| 100 A                                                                                                              | None        | OH/UG                                | 10 kA                        | SC1624M100S            | 1                     | HOM2100                  | 100 A              | 16                                                              | 24     | 8        | 100 A              | A                                | 6-2/0                                | 6-2/0                                | 32, 24                            |
| 125 A                                                                                                              | None        | OH/UG                                | 10 kA                        | SC1624M125S            | 1                     | HOM2125                  | 125 A              | 16                                                              | 24     | 8        | 125 A [33]         | A                                | 6-2/0                                | 6-2/0                                | 32, 24                            |
| 200 A                                                                                                              | None        | OH/UG                                | 22 kA                        | SC2040M200S            | 1                     | QOM2200VH                | 200 A              | 20                                                              | 40     | 20       | 200 A [34]         | A-L                              | 4-250                                | 6-2/0                                | 45, 10                            |
| 200 A                                                                                                              | None        | OH/UG                                | 10 kA                        | SC2040M200C [35]       | 1                     | HOM2200                  | 200 A              | 20                                                              | 40     | 20       | 100 A              | A or A-L                         | 6-300                                | 8-1/0                                | 47, 18                            |
| 200 A                                                                                                              | None        | UG                                   | 10 kA                        | SU2040M200C [35]       | 1                     | HOM2200                  | 200 A              | 20                                                              | 40     | 20       | 100 A              | A or A-L                         | 6-300                                | 8-1/0                                | 47, 18                            |
| <b>Semiflush Mount Only</b>                                                                                        |             |                                      |                              |                        |                       |                          |                    |                                                                 |        |          |                    |                                  |                                      |                                      |                                   |
| 100 A                                                                                                              | None        | OH/UG                                | 10 kA                        | SC1624M100F            | 1                     | HOM2100                  | 100 A              | 16                                                              | 24     | 8        | 100 A              | A or B30-0                       | 6-2/0                                | 6-2/0                                | 44, 20                            |
| 125 A                                                                                                              | None        | OH/UG                                | 10 kA                        | SC1624M125F            | 1                     | HOM2125                  | 125 A              | 16                                                              | 24     | 8        | 110 A              | A or B30-0                       | 6-2/0                                | 6-2/0                                | 44, 20                            |
|                                                                                                                    |             | OH[36]/UG                            | 22 kA                        | SC2040M125F            | 1                     | QOM2125VH                | 125 A              | 20                                                              | 40     | 20       | 110 A              | A or B30-0                       | 6-2/0                                | 6-2/0                                | 44, 20                            |
| 200 A                                                                                                              | None        | OH[36]/UG                            | 22 kA                        | SC2040M200F            | 1                     | QOM2200VH                | 200 A              | 20                                                              | 40     | 20       | 200 A [34]         | A-L                              | 4-250                                | 8-2/0                                | 51, 10                            |
|                                                                                                                    |             | OH[37]/UG                            | 22 kA                        | SC2636M200FPV [38]     | 1                     | QOM2200VH                | 200 A              | 26                                                              | 36     | 10       | 100 A              | A-L                              | 4-250                                | 8-2/0                                | 51, 10                            |
|                                                                                                                    |             |                                      |                              | SC3040M200F            | 1                     | QOM2200VH                | 200 A              | 30                                                              | 40     | 10       | 200 A              | A-L                              | 4-250                                | 8-2/0                                | 56, 10                            |
| 225 A                                                                                                              | None        | OH[37]/UG                            | 22 kA                        | SC3040M225F            | 1                     | QOM2225VH                | 225 A              | 30                                                              | 40     | 10       | 200 A              | A-L                              | 4-250                                | 8-2/0                                | 56, 10                            |
|                                                                                                                    |             |                                      |                              | SC2636M225FPV [38]     | 1                     | QOM2225VH                | 225 A              | 26                                                              | 36     | 10       | 100 A              | A-L                              | 4-250                                | 8-2/0                                | 56, 10                            |
| <b>Surface Mount Only</b>                                                                                          |             |                                      |                              |                        |                       |                          |                    |                                                                 |        |          |                    |                                  |                                      |                                      |                                   |
| 100 A                                                                                                              | None        | OH[39]                               | 10 kA                        | SO1020M100S            | 1                     | HOM2100                  | 100 A              | 10                                                              | 20     | 10       | 80 A               | A                                | 6-1                                  | 8-4                                  | 20, 42                            |
| 200 A                                                                                                              | None        | OH[39]                               | 22 kA                        | SO2040M200S            | 1                     | QOM2200VH                | 200 A              | 20                                                              | 40     | 20       | 200 A              | A                                | 6-350                                | 8-2/0                                | 43, 21                            |
| 200 A                                                                                                              | None        | OH/UG                                | 22 kA                        | SC3040M200S            | 1                     | QOM2200VH                | 200 A              | 30                                                              | 40     | 10       | 200 A              | A-L                              | 4-250                                | 8-2/0                                | 50, 10                            |
|                                                                                                                    |             |                                      |                              | SC40M200S              | 1                     | QOM2200VH                | 200 A              | 40                                                              | 40     | 0        | 200 A              | A-L                              | 4-250                                | 8-2/0                                | 52, 10                            |
| <b>REVERSE All-In-One—Semiflush Mount with Service Disconnect (outdoor access) and Load Center (indoor access)</b> |             |                                      |                              |                        |                       |                          |                    |                                                                 |        |          |                    |                                  |                                      |                                      |                                   |
| 200 A                                                                                                              | None        | UG                                   | 10 kA                        | SU3040M200R            | 1                     | QOM2200VH                | 200 A              | 30                                                              | 40     | 10       | 200 A [34]         | A or B30-0                       | 6-300                                | 12-1/0                               | 60, 15                            |
| 225 A                                                                                                              | None        | UG                                   | 10 kA                        | SU3040M225R            | 1                     | QOM2225VH                | 225 A              |                                                                 |        |          |                    |                                  |                                      |                                      |                                   |
| <b>Ringless, Homeline</b>                                                                                          |             |                                      |                              |                        |                       |                          |                    |                                                                 |        |          |                    |                                  |                                      |                                      |                                   |
| <b>Surface Mount Only</b>                                                                                          |             |                                      |                              |                        |                       |                          |                    |                                                                 |        |          |                    |                                  |                                      |                                      |                                   |
| 100 A                                                                                                              | None        | OH/UG                                | 10 kA                        | RC1624M100S            | 1                     | HOM2100                  | 100 A              | 16                                                              | 24     | 8        | 100 A              | A                                | 6-2/0                                | 6-2/0                                | 32, 24                            |
| 125 A                                                                                                              |             | [39]                                 |                              | RC1624M125S            | 1                     | HOM2125                  | 125 A              |                                                                 |        |          | 125 A [33]         |                                  |                                      |                                      |                                   |
| 125 A                                                                                                              | Horn        | OH/UG[39]                            | 22 kA                        | RC2040M125SH [40] [41] | 1                     | QOM2125VH                | 125 A              | 20                                                              | 40     | 20       | 125 A              | A                                | 6-350                                | 8-2/0                                | 43, 21                            |
| 125 A                                                                                                              | Horn        | OH/UG[39]                            | 22 kA                        | RC2040M125CH [40] [42] | 1                     | QOM2125VH                | 125 A              | 20                                                              | 40     | 20       | 125 A              |                                  |                                      |                                      | 40, 21                            |
| 150 A                                                                                                              | Horn        | OH/UG[39]                            | 22 kA                        | RC2040M150SH [40] [41] | 1                     | QOM2150VH                | 150 A              | 20                                                              | 40     | 20       | 150 A              | A                                | 6-350                                | 8-2/0                                | 43, 21                            |
|                                                                                                                    |             | OH/UG[39]                            | 22 kA                        | RC2040M150CH [40] [42] | 1                     | QOM2150VH                | 150 A              | 20                                                              | 40     | 20       | 150 A              |                                  |                                      |                                      | 40, 21                            |
| 200 A                                                                                                              | Lever       | OH/UG[39]                            | 22 kA                        | RC3040M150SL [43]      | 1                     | QOM2150VH [33]           | 200 A              | 30                                                              | 40     | 10       | 150 A              | A                                | 6-350                                | 8-2/0                                | 76 / 12                           |
|                                                                                                                    |             | None                                 | OH/UG[39]                    | 22 kA                  | RC2040M200S [40] [41] | 1                        | QOM2200VH          | 200 A                                                           | 20     | 40       | 20                 |                                  |                                      |                                      | 200 A                             |
|                                                                                                                    | None        | OH/UG[39]                            | 22 kA                        | RC2040M200C [40]       | 1                     | QOM2200VH                | 200 A              | 20                                                              | 40     | 20       | 200 A              | A                                | 6-350                                | 8-2/0                                | 40, 21                            |
|                                                                                                                    |             | OH/UG[39]                            | 22 kA                        | RC2040M200SH [40] [41] | 1                     | QOM2200VH                | 200 A              | 20                                                              | 40     | 20       | 200 A              |                                  |                                      |                                      | 43, 21                            |
|                                                                                                                    | Horn        | OH/UG[39]                            | 22 kA                        | RC2040M200CH [40]      | 1                     | QOM2200VH                | 200 A              | 20                                                              | 40     | 20       | 200 A              | A                                | 6-350                                | 8-2/0                                | 40, 21                            |
|                                                                                                                    |             | OH/UG[39]                            | 22 kA                        | RC3040M200SL [43]      | 1                     | QOM2200VH [33]           | 200 A              | 30                                                              | 40     | 10       | 200 A              |                                  |                                      |                                      | 76 / 12                           |
|                                                                                                                    | None        | OH/UG[39]                            | 22 kA                        | RC2040M200CGP          | 1                     | QOM2200VH                | 200 A              | 20                                                              | 40     | 20       | 200 A              | A                                | 6-350                                | 8-2/0                                | 48 / 21                           |
|                                                                                                                    |             | OH/UG[39]                            | 22 kA                        | RC2040M200CGP          | 1                     | QOM2200VH                | 200 A              | 20                                                              | 40     | 20       | 200 A              |                                  |                                      |                                      | 48 / 21                           |
| <b>Ringless, QO</b>                                                                                                |             |                                      |                              |                        |                       |                          |                    |                                                                 |        |          |                    |                                  |                                      |                                      |                                   |
| <b>Surface Mount Only</b>                                                                                          |             |                                      |                              |                        |                       |                          |                    |                                                                 |        |          |                    |                                  |                                      |                                      |                                   |
| 150 A                                                                                                              | Horn        | OH/UG[39]                            | 22 kA                        | QC2442M150SH [40] [41] | 1                     | QOM2150VH                | 150 A              | 24                                                              | 42     | 18       | 150 A              | A                                | 6-350                                | 8-2/0                                | 43, 21                            |
| 200 A                                                                                                              | None        | OH/UG[39]                            | 22 kA                        | QC2442M200S [40] [41]  | 1                     | QOM2200VH                | 200 A              | 24                                                              | 42     | 18       | 200 A              |                                  |                                      |                                      | 43, 21                            |
|                                                                                                                    | None        | OH/UG[39]                            | 22 kA                        | QC2442M200C [40]       | 1                     | QOM2200VH                | 200 A              | 24                                                              | 42     | 18       | 200 A              | A                                | 6-350                                | 8-2/0                                | 40, 21                            |
| Horn                                                                                                               |             | OH/UG[39]                            | 22 kA                        | QC2442M200SH [40] [41] | 1                     | QOM2200VH                | 200 A              | 24                                                              | 42     | 18       | 200 A              |                                  |                                      |                                      | 43, 21                            |
| 200 A                                                                                                              | Horn        | OH/UG[39]                            | 22 kA                        | QC2442M200CH [40] [42] | 1                     | QOM2200VH                | 200 A              | 24                                                              | 42     | 18       | 200 A              | A                                | 6-350                                | 8-2/0                                | 40, 21                            |
|                                                                                                                    |             | OH/UG[39]                            | 22 kA                        | QC3040M200S [41]       | 1                     | QOM2200VH                | 200 A              | 30                                                              | 40     | 10       | 200 A              |                                  |                                      |                                      | 40, 21                            |
| 200 A                                                                                                              | Hom         | OH/UG[39]                            | 22 kA                        | QC3040M200SH [41]      | 1                     | QOM2200VH                | 200 A              | 30                                                              | 40     | 10       | 200 A              | A                                | 6-350                                | 8-2/0                                | 40, 21                            |

[31] To order branch circuit breakers, see QO Plug-On Circuit Breakers, page 1-10

[32] To order hubs, see Accessories and Hubs for CSEDs, page 1-31

[33] 125 A Homeline™ 2P circuit breaker can be installed in top position only. All other positions are limited to 100 A max.

[34] Use only 15-110 A and 150-200 A circuit breakers.

[35] Convertible to semiflush with SC200F flange kit (order separately).

[36] Suitable for OH service with addition of tunnel kit (SCTK20). Order separately.

[37] Suitable for OH service with addition of tunnel kit (SCTK30). Order separately.

[38] For use with Photovoltaic Systems. Provisions for field-installed CT. If required by adopted code, order retaining kit PK2SCPV separately, see Table 1.65 Accessories, page 1-31.

[39] Device does not meet EUSERC Specifications.

[40] Device supplied with barrel lock provisions factory-installed.

[41] Suitable for load wires to exit top endwall with addition of Tunnel Kit OHBS, (see Table 1.65 Accessories, page 1-31, check with local utility for approval.

[42] 5th jaw factory-installed.

[43] Suitable for load wires to exit top endwall with addition of Tunnel Kit OHBL, (see Table 1.65 Accessories, page 1-31, check with local utility for approval.

**Meter Mains and All-in-Ones (300–400 A Devices)**

**Meter Mains and All-in-Ones**

- Ring or ringless type meter socket designs available
- UL Listed, suitable **only** for use as service equipment
- Meets EUSERC standards where indicated.

- Service disconnects are supplied factory-installed, except where noted
- Supplied with 100% branch neutrals; all unused terminals may be used for equipment grounding wires
- Meets Federal Specification W-P-115c as Type 1, Class 2

**Meter Mains:** Meets Federal Specification W-P-115c as Type 1, Class 2, UL Listed, suitable only for use as service equipment, 120/240 Vac, 1Ø3W, NEMA 3R Enclosure

**Table 1.61: Meter Mains**

| Ampere Rating                                                                                      | Bypass Type             | Service (Type of Feed) |                | Short Circuit Current Rating | Cat. No.                        | Service Disconnect(s) [44] |                              |                      | Load Center and Branch Circuit Breakers (Order separately [45]) |          |         |                    | Hub Type (Order separately [46]) | Line Side Main Lugs AWG/kcmil (Al/Cu) | Service Ground Lug AWG/kcmil (Al/Cu) | Weight Each (Lbs) and Pallet Qty. |
|----------------------------------------------------------------------------------------------------|-------------------------|------------------------|----------------|------------------------------|---------------------------------|----------------------------|------------------------------|----------------------|-----------------------------------------------------------------|----------|---------|--------------------|----------------------------------|---------------------------------------|--------------------------------------|-----------------------------------|
|                                                                                                    |                         | UL                     | UL and EU-SERC |                              |                                 | 2P Circuits (Max.)         | Type (Order separately [47]) | Ampere Rating (Max.) | Max. Quantity                                                   |          |         | Ampere Rating Max. |                                  |                                       |                                      |                                   |
|                                                                                                    |                         |                        |                |                              |                                 |                            |                              |                      | Spaces                                                          | Circuits | Tandems |                    |                                  |                                       |                                      |                                   |
| <b>Ring Type, QO</b>                                                                               |                         |                        |                |                              |                                 |                            |                              |                      |                                                                 |          |         |                    |                                  |                                       |                                      |                                   |
| <b>Surface and Semiflush Mount [44]</b>                                                            |                         |                        |                |                              |                                 |                            |                              |                      |                                                                 |          |         |                    |                                  |                                       |                                      |                                   |
| 400 A                                                                                              | None                    | UG                     | UG             | 25 kA                        | CU12L400CN [48]                 | 1                          | QDL22200 [49]                | 200 A                | —                                                               | —        | —       | —                  | A-L                              | (2) Studs                             | 4–250                                | 98, 4                             |
|                                                                                                    |                         |                        |                |                              | CU12L400FN [48]                 | 4                          | QDL, QGL, QJL [50]           | 200 A                | —                                                               | —        | —       | —                  |                                  |                                       |                                      |                                   |
|                                                                                                    |                         |                        |                |                              |                                 | 1                          | QO, QO-VH or QOH [51]        | 125 A [52]           | —                                                               | —        | —       | —                  |                                  |                                       |                                      |                                   |
| 400 A                                                                                              | Class 320 Manual Bypass | UG                     | —              | 25 kA                        | CU12L400CB [48] [53]            | 1                          | QDL22200 [49]                | 200 A                | —                                                               | —        | —       | —                  | A-L                              | (2) Studs                             | 4–250                                | 98, 4                             |
|                                                                                                    |                         |                        |                |                              | CU12L400FB [48] [53]            | 1                          | QDL, QGL, QJL [50]           | 200 A                | —                                                               | —        | —       | —                  |                                  |                                       |                                      |                                   |
|                                                                                                    |                         |                        |                |                              |                                 | 4                          | QO, QO-VH or QOH [51]        | 125 A [52]           | —                                                               | —        | —       | —                  |                                  |                                       |                                      |                                   |
| 400 A                                                                                              | None                    | UG                     | UG             | 25 kA                        | CU816D400CN [48] [54]           | 1                          | QDL22200 [49]                | 200 A                | 8                                                               | 16       | 8       | 200 A              | A-L                              | (2) Studs                             | 4–250                                | 98, 4                             |
| 400 A                                                                                              | Class 320 Manual Bypass | UG                     | —              | 25 kA                        | CU816D400CB [48] [52] [53]      | 1                          | QDL, QGL, QJL [50]           | 200 A                | —                                                               | —        | —       | —                  | A-L                              | (2) Studs                             | 4–250                                | 98, 4                             |
| 400 A                                                                                              | Class 320 Manual Bypass | UG                     | —              | 65 kA [44]                   | CUM400CB [48] [53]              | 1                          | LJL36400U31X [49]            | 400 A                | —                                                               | 2 [55]   | —       | 200 A              | A-L                              | (2) Studs                             | 4–250                                | 115, 4                            |
| <b>Ringless Type, QO</b>                                                                           |                         |                        |                |                              |                                 |                            |                              |                      |                                                                 |          |         |                    |                                  |                                       |                                      |                                   |
| 400 A                                                                                              | Class 320 Lever         | UG                     | —              | 25 kA                        | QU12L400SL [56] [53]            | 1                          | QDL22200 [49]                | 200 A                | —                                                               | —        | —       | —                  | A-L                              | (2) Studs                             | 4–250                                | 98, 4                             |
|                                                                                                    |                         |                        |                |                              |                                 | 1                          | QDL, QGL, QJL [50]           | 200 A                | —                                                               | —        | —       | —                  |                                  |                                       |                                      |                                   |
|                                                                                                    |                         |                        |                |                              |                                 | 4                          | QO, QO-VH or QOH [51]        | 125 A [52]           | —                                                               | —        | —       | —                  |                                  |                                       |                                      |                                   |
| <b>Surface Mount Only, Supplied with Feed-Thru Lugs and Provisions for Branch Circuit Breakers</b> |                         |                        |                |                              |                                 |                            |                              |                      |                                                                 |          |         |                    |                                  |                                       |                                      |                                   |
| 400 A                                                                                              | [57]                    | UG                     | —              | 25 kA                        | QU816D400SL [52] [56] [53]      | 1                          | QDL22200 [49]                | 200 A                | 8                                                               | 16       | 8       | 200 A              | A-L                              | (2) Studs                             | 4–250                                | 98, 4                             |
| <b>Surface and Semiflush Mount [44]</b>                                                            |                         |                        |                |                              |                                 |                            |                              |                      |                                                                 |          |         |                    |                                  |                                       |                                      |                                   |
| 400 A                                                                                              | Class 320 Lever         | UG                     | —              | 25 kA                        | QU12L400CL [56] [58] [53]       | 1                          | QDL22200 [49]                | 200 A                | —                                                               | —        | —       | —                  | A-L                              | (2) Studs                             | 4–250                                | 98, 4                             |
|                                                                                                    |                         |                        |                |                              | QU12L400FL [56] [58] [53]       | 1                          | QDL, QGL, QJL [50]           | 200 A                | —                                                               | —        | —       | —                  |                                  |                                       |                                      |                                   |
|                                                                                                    |                         |                        |                |                              |                                 | 4                          | QO, QO-VH or QOH [51]        | 125 A [52]           | —                                                               | —        | —       | —                  |                                  |                                       |                                      |                                   |
| 400 A                                                                                              | Class 320 Lever         | UG                     | —              | 25 kA                        | QU816D400CL [56] [52] [58] [53] | 1                          | QDL22200 [49]                | 200 A                | 8                                                               | 16       | 8       | 200 A              | A-L                              | (2) Studs                             | 4–250                                | 98, 4                             |
| 400 A                                                                                              | Class 320 Lever         | UG                     | —              | 65 kA [44]                   | QUM400CL [56] [53]              | 1                          | LJL36400U31X [49]            | 400 A                | —                                                               | 2 [55]   | —       | 200 A              | A-L                              | (2) Studs                             | 4–250                                | 120, 4                            |
| 400 A                                                                                              | K-4 Bolt-On             | UG                     | —              | 65 kA [44]                   | QUM400CK [48] [53]              | 1                          | LJL36400U31X [49]            | 400 A                | —                                                               | 2 [55]   | —       | 200 A              | A-L                              | (2) Studs                             | 4–250                                | 123, 4                            |
| 400 A                                                                                              | None                    |                        |                |                              |                                 |                            |                              |                      |                                                                 |          |         |                    |                                  |                                       |                                      |                                   |

[44] UL short circuit current rating is equal to the lowest interrupting rating of any circuit breaker installed.  
 [45] To order branch circuit breakers, see QO Plug-On Circuit Breakers, page 1-10  
 [46] To order hubs, see Accessories and Hubs for CSEDs, page 1-31  
 [47] To order service disconnects, see Circuit Breakers for CSEDs, page 1-30 except as noted)  
 [48] For use only on 120/240 Vac 1Ø3W system (4-jaw meter socket).  
 [49] Service disconnect supplied factory-installed.  
 [50] Additional service disconnect for field-installation: order prefix QBL at 10 kA, QDL at 25 kA, QGL at 65 kA, or QJL at 100 kA. Order separately. For complete circuit breaker catalog number, see Digest Section 7.  
 [51] Order two pole circuit breakers for field installation: order catalog designation QO for 10 kA, QO-VH for 22 kA or QOH for 42 kA short circuit current rating. See Table 1.18 Plug-On Circuit Breakers, page 1-10 or Table 1.63 Circuit Breakers for use with Meter Mains and All-in-One Devices, page 1-30.  
 [52] QO panel is rated 200 A maximum.  
 [53] Device configuration is not included in EUSERC standards. Consult applicable utility for acceptance.  
 [54] Supplied with load side feed-thru lugs for 6 AWG–250 kcmil (Al/Cu) conductors.  
 [55] Option for field installation of two Q-frame, 200 A max. 2-pole branch circuit breakers used as mains for two downstream load centers. Purchase installation kit BMK2Q400 and two Q-frame circuit breakers separately. Order QBL prefix at 10 kA, QDL prefix at 25 kA, or QGL prefix at 65 kA.  
 [56] Fifth jaw factory-installed.  
 [57] Device with suffix L has Class 320 lever bypass and device with suffix K has a K-4 bolt-on, no bypass.  
 [58] Knockout provided in cover for use with barrel lock kit SCBRLOCK (see Table 1.65 Accessories, page 1-31).

**Table 1.62: All-in-One Combination Service Entrance Devices**

| Surface and Semiflush Mount <sup>[59]</sup> |                  |    |    |       |                                          |   |                                                           |                |    |    |    |       |     |           |       |        |
|---------------------------------------------|------------------|----|----|-------|------------------------------------------|---|-----------------------------------------------------------|----------------|----|----|----|-------|-----|-----------|-------|--------|
| Ring Type, Homeline                         |                  |    |    |       |                                          |   |                                                           |                |    |    |    |       |     |           |       |        |
| 300 A                                       | Class 320 Manual | UG | —  | 25 kA | SU3040D300CB <sup>[60][61]</sup><br>[62] | 1 | QDL22200 <sup>[63]</sup><br>QDL, QGL, QJL <sup>[64]</sup> | 200 A<br>100 A | 30 | 40 | 10 | 200 A | A-L | (2) Studs | 4-250 | 100, 4 |
|                                             |                  |    |    |       | SU3040D300FB <sup>[60][61]</sup><br>[62] | 1 |                                                           |                |    |    |    |       |     |           |       |        |
| 400 A                                       | None             | UG | UG | 25 kA | SU3040D400CN <sup>[60][61]</sup><br>[62] | 1 | QDL22200 <sup>[63]</sup><br>QDL, QGL, QJL <sup>[64]</sup> | 200 A<br>200 A | 30 | 40 | 10 | 200 A | A-L | (2) Studs | 4-250 | 100, 4 |
|                                             |                  |    |    |       | SU3040D400FN <sup>[60][61]</sup><br>[62] | 1 |                                                           |                |    |    |    |       |     |           |       |        |
| 400 A                                       | Class 320 Manual | UG | —  | 25 kA | SU3040D400CB <sup>[60][61]</sup><br>[62] | 1 | QDL22200 <sup>[63]</sup><br>QDL, QGL, QJL <sup>[64]</sup> | 200 A<br>200 A | 30 | 40 | 10 | 200 A | A-L | (2) Studs | 4-250 | 100, 4 |
|                                             |                  |    |    |       | SU3040D400FB <sup>[60][61]</sup><br>[62] | 1 |                                                           |                |    |    |    |       |     |           |       |        |
| Ringless, Homeline                          |                  |    |    |       |                                          |   |                                                           |                |    |    |    |       |     |           |       |        |
| 400 A                                       | Class 320 Lever  | UG | —  | 25 kA | RU3040D400CL <sup>[61][65]</sup><br>[62] | 1 | QDL22200 <sup>[63]</sup><br>QDL, QGL, QJL <sup>[64]</sup> | 200 A<br>200 A | 30 | 40 | 10 | 200 A | A-L | (2) Studs | 4-250 | 100, 4 |
|                                             |                  |    |    |       | RU3040D400FL <sup>[61][65]</sup><br>[62] | 1 |                                                           |                |    |    |    |       |     |           |       |        |
| 400 A                                       | K-4 Bolt-on      | UG | —  | 25 kA | RU3040D400CK <sup>[61][62]</sup><br>[62] | 1 | QDL22200 <sup>[63]</sup><br>QDL, QGL, QJL <sup>[64]</sup> | 200 A<br>200 A | 30 | 40 | 10 | 200 A | A-L | (2) Studs | 4-250 | 100, 4 |
|                                             |                  |    |    |       | RU3040D400FK <sup>[61][62]</sup><br>[62] | 1 |                                                           |                |    |    |    |       |     |           |       |        |

**Circuit Breakers for CSEDs**

**Table 1.63: Circuit Breakers for use with Meter Mains and All-In-One Devices**

| Ampere Rating <sup>[66]</sup> | Type: HOM, 1P   | Type: HOM, 2P   | Type: QO, 1P    | Type: QO, 2P    | Type: QO-VH, 1P | Type: QO-VH, 2P |
|-------------------------------|-----------------|-----------------|-----------------|-----------------|-----------------|-----------------|
|                               | Cat. No. (DE3D) | Cat. No. (DE3D) | Cat. No. (DE2A) | Cat. No. (DE2A) | Cat. No. (DE2A) | Cat. No. (DE2A) |
| 10                            | —               | —               | QO110           | —               | —               | —               |
| 15                            | HOM115          | —               | QO115           | —               | QO115VH         | —               |
| 20                            | HOM120          | —               | QO120           | —               | QO120VH         | —               |
| 25                            | HOM125          | —               | QO125           | —               | QO125VH         | —               |
| 30                            | HOM130          | HOM230          | QO130           | QO230           | QO130VH         | QO230VH         |
| 35                            | —               | HOM235          | QO135           | QO235           | —               | —               |
| 40                            | HOM140          | HOM240          | QO140           | QO240           | —               | QO240VH         |
| 45                            | —               | HOM245          | QO145           | QO245           | —               | —               |
| 50                            | HOM150          | HOM250          | QO150           | QO250           | —               | QO250VH         |
| 60                            | —               | HOM260          | QO160           | QO260           | —               | QO260VH         |
| 70                            | —               | HOM270          | QO170           | QO270           | —               | QO270VH         |
| 80                            | —               | HOM280          | —               | QO280           | —               | QO280VH         |
| 90                            | —               | HOM290          | —               | QO290           | —               | QO290VH         |
| 100                           | —               | HOM2100         | —               | QO2100          | —               | QO2100VH        |
| 110                           | —               | HOM2110         | —               | QO2110          | —               | QO2110VH        |
| 125                           | —               | HOM2125         | —               | QO2125          | —               | QO2125VH        |
| 150                           | —               | HOM2150BB       | —               | QO2150          | —               | QO2150VH        |
| 175                           | —               | HOM2175BB       | —               | QO2175          | —               | QO2175VH        |
| 200                           | —               | HOM2200BB       | —               | QO2200          | —               | QO2200VH        |

| Ampere Rating <sup>[66]</sup> | Type: QOM1-VH, 2P       | Type: QOM2-VH, 2P | Type: QDL, 2P <sup>[67]</sup> |
|-------------------------------|-------------------------|-------------------|-------------------------------|
|                               | Cat. No. (DE3D)         | Cat. No. (DE3D)   | Cat. No. (DE2A)               |
| 50                            | QOM50VH <sup>[68]</sup> | —                 | —                             |
| 60                            | QOM60VH                 | —                 | —                             |
| 70                            | QOM70VH                 | —                 | QDL22070                      |
| 80                            | QOM80VH                 | —                 | QDL22080                      |
| 90                            | QOM90VH                 | —                 | QDL22090                      |
| 100                           | QOM100VH                | QOM2100VH         | QDL22100                      |
| 110                           | QOM110VH                | —                 | QDL22110                      |
| 125                           | QOM125VH                | QOM2125VH         | QDL22125                      |
| 150                           | —                       | QOM2150VH         | QDL22150                      |
| 175                           | —                       | QOM2175VH         | QDL22175                      |
| 200                           | —                       | QOM2200VH         | QDL22200                      |
| 225                           | —                       | QOM225VH          | —                             |

<sup>[59]</sup> UL short circuit current rating is equal to the lowest interrupting rating of any circuit breaker installed.  
<sup>[60]</sup> For use only on 120/240 Vac 1Ø3W system (4-jaw meter socket).  
<sup>[61]</sup> Knockout provided in cover for use with barrel lock kit SCBRLLLOCK (see Accessories).  
<sup>[62]</sup> Device configuration is not included in EUSERC standards. Consult applicable utility for acceptance.  
<sup>[63]</sup> Service disconnect supplied factory-installed.  
<sup>[64]</sup> Additional service disconnect for field-installation: order prefix QBL at 10 kA, QDL at 25 kA, QGL at 65 kA, or QJL at 100 kA. Order separately. For complete circuit breaker catalog number, see Digest Section 7.  
<sup>[65]</sup> 5th jaw factory-installed.  
<sup>[66]</sup> Do not exceed mains rating of device.  
<sup>[67]</sup> For additional interrupting rating circuit breakers, order circuit breaker prefix QBL at 10 kA, QGL at 65 kA or QJL at 100 kA.  
<sup>[68]</sup> Reference National Electrical Code Article 230-79.

Table 1.64: Hubs and Closing Plates

| Hub Series                                                        | Conduit Size (Inches) | Cat. No.   | Disc. Sch. |
|-------------------------------------------------------------------|-----------------------|------------|------------|
| Closing Plate for "A" Hub opening                                 |                       |            |            |
| A                                                                 | 1.00                  | A100       | DE4        |
|                                                                   | 1.25                  | A125       | DE4        |
|                                                                   | 1.50                  | A150       | DE4        |
|                                                                   | 2.00                  | A200       | DE4        |
|                                                                   | 2.50                  | A250       | DE4        |
| Adapter plate to allow use of "A" Hubs on "A-L" size hub openings |                       | AAP        | DE4        |
| Closing Plate for "A-L" Hub opening                               |                       |            |            |
| A-L                                                               | 2.00                  | A200L [69] | DE4        |
|                                                                   | 2.50                  | A250L      | DE4        |
|                                                                   | 3.00                  | A300L      | DE4        |
|                                                                   | 3.50                  | A350L      | DE4        |
|                                                                   | 4.00                  | A400L      | DE4        |
| Closing Plate for "B" Hub opening                                 |                       |            |            |
| B                                                                 | 0.75                  | B075       | DE1A       |
|                                                                   | 1.00                  | B100       | DE1A       |
|                                                                   | 1.25                  | B125       | DE1A       |
|                                                                   | 1.50                  | B150       | DE1A       |
|                                                                   | 2.00                  | B200       | DE1A       |
|                                                                   | 2.50                  | B250       | DE1A       |
| B300                                                              | 3.00                  | B300       | DE1A       |

Accessories and Hubs for CSEDs

Table 1.65: Accessories

| Description                                                                                                                                                                                                                                                                             | Cat. No.                         | Disc. Sch.        |
|-----------------------------------------------------------------------------------------------------------------------------------------------------------------------------------------------------------------------------------------------------------------------------------------|----------------------------------|-------------------|
| Generator Kit: Interlocks main service disconnect and generator circuit breaker (order separately). For :<br>Homeline™ CSED Devices RC816F-, RC2040M-, SO2040M- containing suffix -C or -CH<br>QO CSED Devices QC816F-, QC2442M- containing suffix -C or -CH                            | RCGK2<br>QCGK3                   | DE4<br>DE4        |
| Backfed inverter circuit breaker retaining kit for SC2636M200FPV and SC2636M225FPV                                                                                                                                                                                                      | PK2SCPV                          | DE4               |
| <b>Fifth Jaw Kit for:</b> Meter Main Types: C, RC, SC, QC<br>All-In-One Types: SC, SU (100–225 A), QC, RC, SO                                                                                                                                                                           | 5J                               | DE4               |
| Bypass (Horn Type) for Ringless Type Meter Mains and All-In-Ones (100–200 A) (except for RC8L125S, RC1624M100S and RC1624M125S–use RCHB).                                                                                                                                               | MMHB                             | DE4               |
| Lexan Meter Socket Cover Plate for:<br>Ring and Ringless Type Meter Mains<br>Ring and Ringless Type All-In-Ones                                                                                                                                                                         | 29007                            | DE4               |
| Meter Socket Sealing Rings for Ring Type Meter Mains and All-In-Ones:<br>Snap Type Aluminum (Std.)<br>Screw Type Aluminum<br>Snap Type Stainless Steel                                                                                                                                  | 2920910001<br>29008W<br>ARPO0026 | DE5<br>DE4<br>DE4 |
| Anti-Inversion Kit . For use ONLY on 400 A Meter Mains and All-In-Ones with lever bypass.                                                                                                                                                                                               | MMLRK                            | DE4               |
| Trim Kit for 2 in. X 6 in. stud wall, used with Reverse All-In-Ones, SU3040M200R, and SU3040M225R                                                                                                                                                                                       | SU2X6TRIM                        | DE4               |
| Barrel Lock Kit (Barrel Lock not included), supplied with bracket and mounting screw, refer to listings for where used.                                                                                                                                                                 | SCBRLLOCK                        | DE4               |
| <b>Semiflush Flange Kit for:</b> Meter Mains: SC816D150/200C and RC816D200CH<br>All-In-Ones: SC2040M200C                                                                                                                                                                                | SC200F                           | DE4               |
| Semiflush Flange Kit for ring- and ringless-type Meter Mains and All-In-Ones (400 A Only)                                                                                                                                                                                               | FK400                            | DE4               |
| Ringless Type Utility Cover for RU3040D400CL/FL, QU12L400CL/FL, and QU816D400CL/FL. Includes one piece meter socket and pull box cover with handles and closing plate.                                                                                                                  | R400L                            | DE4               |
| Lug Kit includes (4) lugs, for use with 2 AWG–600 kcmil Al/Cu conductors. Lugs are for standard 2-Hole mounting. Meter Main and All-In-One units supplied with (2) studs per phase and neutral will accept one lug per phase and neutral. Not for use on 400 A devices with "K" suffix. | CMELK4                           | DE4               |
| Branch Circuit Breaker Field Installation Kit for two Q-Frame Circuit Breakers (QBL, QDL, or QGL, order separately). For CUM400CB, QUM400CL or QUM400CK - includes (2) mounting pans, (4) wires.                                                                                        | BMK2Q400                         | DE4               |
| Overhead Feed Trough for 400 A ring- and ringless-type Meter Mains and All-In-Ones.                                                                                                                                                                                                     | OCK400                           | DE4               |
| Touch-Up Paint (ASA49 Gray)                                                                                                                                                                                                                                                             | PK49SP                           | DE1               |
| Ground Bar Kit, Meter Mains and All-In-Ones QC, RC, and SC (100–225 A)                                                                                                                                                                                                                  | PK15GTA                          | DE3A              |
| <b>Filler Plate for:</b> Meter Main Types: QC, CU All-In-One Types: QC                                                                                                                                                                                                                  | QOFP                             | DE3A              |
| <b>Filler Plate for:</b> Meter Main Types: RC, SC All-In-One Types: SC, RC, SU                                                                                                                                                                                                          | HOMFP                            | DE3A              |
| <b>Neutral Lug (6-2/0 AWG) for:</b> Meter Main Types: RC, SC, QC All-In-One Types: SC, SU, QC, RC                                                                                                                                                                                       | LK100AN                          | DE3A              |
| <b>Overhead Barrier Tunnel Kit for Ringless &amp; Horn Bypass in RC/QC Devices</b>                                                                                                                                                                                                      | OHBS                             | DE4               |
| <b>Overhead Barrier Tunnel Kit for Lever Bypass RC/QC Devices</b>                                                                                                                                                                                                                       | OHBL                             | DE4               |

[69] Supplied with AAP adapter plate and "A" hub.

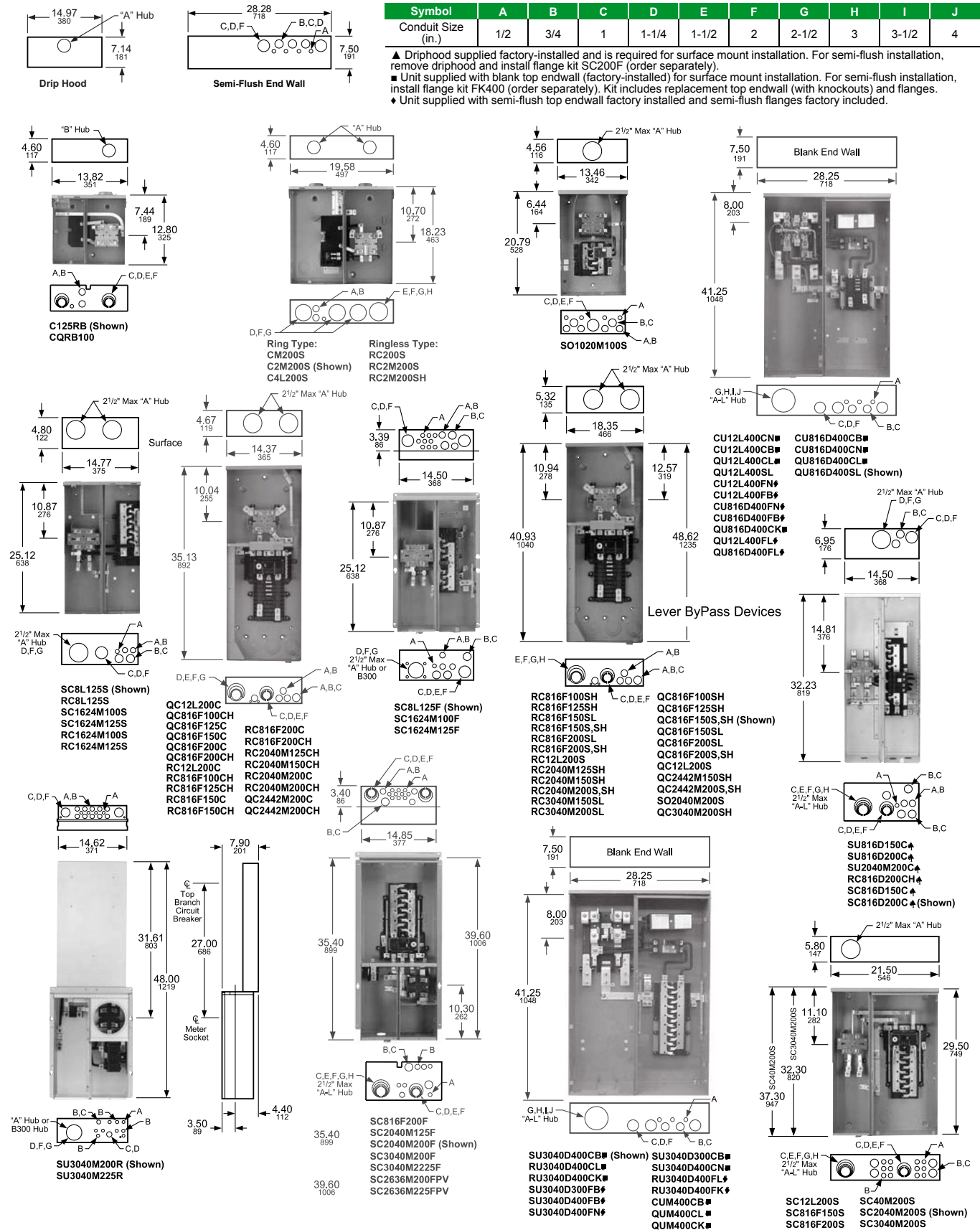
Dimensions for CSEDs

Table 1.66: Knockouts

| Symbol             | A   | B   | C | D     | E     | F | G     | H | I     | J |
|--------------------|-----|-----|---|-------|-------|---|-------|---|-------|---|
| Conduit Size (in.) | 1/2 | 3/4 | 1 | 1-1/4 | 1-1/2 | 2 | 2-1/2 | 3 | 3-1/2 | 4 |

- ▲ Drip hood supplied factory-installed and is required for surface mount installation. For semi-flush installation, remove drip hood and install flange kit SC200F (order separately).
- Unit supplied with blank top end wall (factory-installed) for surface mount installation. For semi-flush installation, install flange kit FK400 (order separately). Kit includes replacement top end wall (with knockouts) and flanges.
- ◆ Unit supplied with semi-flush top end wall factory installed and semi-flush flanges factory included.

LOAD CENTERS



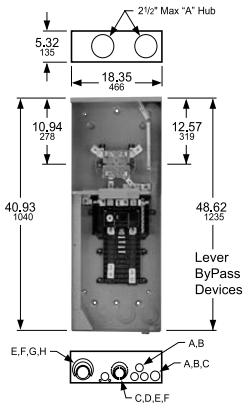
**Meter Mains and All-In-Ones**

- Ringless Meter Sockets with barrel lock provisions factory installed except for Cat. No. SO2040M200SS which is a Ring Style meter socket with no provisions for barrel lock to secure the meter cover
- UL Listed, suitable only for use as service equipment
- Service disconnect(s) are supplied factory-installed, except where noted
- Supplied with 100% branch neutrals, all unused terminals may be used for equipment grounding wires
- Meets Federal Specification W-P-115c as Type 1, Class 2
- All devices have a 3" KO in the bottom endwall
- Provisions for Field Installed CTs All Devices
- Solar Ready kit SR69064A fits All Devices Below, order from Table 1.66

**Table 1.67: All-In-One Combination Service Entrance Devices**

| Ampere Rating                                                                                | Bypass Type | Service Type | Short Circuit Current Rating | Cat. No.             | Service Disconnect(s)    |                                             |               | Load Center and Branch Circuit Breakers (Order Separately [1]) |          |         |                    | Hub Type (Order Separately [2]) | Line Side Main Lugs AWG/kcmil (Al/Cu) | Service Ground Lug AWG/kcmil (Al/Cu) |       |
|----------------------------------------------------------------------------------------------|-------------|--------------|------------------------------|----------------------|--------------------------|---------------------------------------------|---------------|----------------------------------------------------------------|----------|---------|--------------------|---------------------------------|---------------------------------------|--------------------------------------|-------|
|                                                                                              |             |              |                              |                      | 2P Circuits (Max.)       | Type (Factory Installed except where noted) | Ampere Rating | Max. Quantity                                                  |          |         | Ampere Rating Max. |                                 |                                       |                                      |       |
|                                                                                              |             |              |                              |                      |                          |                                             |               | Spaces                                                         | Circuits | Tandems |                    |                                 |                                       |                                      |       |
| <b>Meter Mains [3]</b>                                                                       |             |              |                              |                      |                          |                                             |               |                                                                |          |         |                    |                                 |                                       |                                      |       |
| <b>Surface Mount Only</b>                                                                    |             |              |                              |                      |                          |                                             |               |                                                                |          |         |                    |                                 |                                       |                                      |       |
| <b>Surface Mount—Supplied with Feed-Thru Lugs and Provisions for Branch Circuit Breakers</b> |             |              |                              |                      |                          |                                             |               |                                                                |          |         |                    |                                 |                                       |                                      |       |
| QC                                                                                           | 150 A       | None         | OH/UG                        | 22 kA                | QC816F150SS [4] [5]      | 1                                           | QOM2150VH     | 150 A                                                          | 8        | 16      | 8                  | 150 A                           | A                                     | 350                                  | 8–2/0 |
|                                                                                              |             | Lever        | OH/UG                        | 22 kA                | QC816F150SLS [4] [6]     | 1                                           | QOM2150VH     | 150 A                                                          | 8        | 16      | 8                  | 150 A                           |                                       |                                      |       |
|                                                                                              | 200 A       | None         | OH/UG                        | 22 kA                | QC816F200SS [4] [5]      | 1                                           | QOM2200VH     | 200 A                                                          | 8        | 16      | 8                  | 200 A                           |                                       |                                      |       |
|                                                                                              |             | Lever        | OH/UG                        | 22 kA                | QC816F200SLS [4] [6]     | 1                                           | QOM2200VH     | 200 A                                                          | 8        | 16      | 8                  | 200 A                           |                                       |                                      |       |
| <b>Surface Mount—Supplied with Feed-Thru Lugs and provisions for Branch Circuit Breakers</b> |             |              |                              |                      |                          |                                             |               |                                                                |          |         |                    |                                 |                                       |                                      |       |
| Homeline                                                                                     | 150 A       | None         | OH/UG                        | 22 kA                | RC816F150SS [4] [5]      | 1                                           | QOM2150VH     | 150 A                                                          | 8        | 16      | 8                  | 150 A                           | A                                     | 6-350                                | 8–2/0 |
|                                                                                              |             | Lever        | OH/UG                        | 22 kA                | RC816F150SLS [4] [6]     | 1                                           | QOM2150VH     | 150 A                                                          | 8        | 16      | 8                  | 150 A                           | A                                     | 6-350                                | 8–2/0 |
|                                                                                              | 200 A       | None         | OH/UG                        | 22 kA                | RC816F200SS [4] [5]      | 1                                           | QOM2200VH     | 200 A                                                          | 8        | 16      | 8                  | 200 A                           | A                                     | 6-350                                | 8–2/0 |
|                                                                                              |             | Horn         | OH/UG                        | 22 kA                | RC816F200SHS [4] [7] [5] | 1                                           | QOM2200VH     | 200 A                                                          | 8        | 16      | 8                  | 200 A                           | A                                     | 6-350                                | 8–2/0 |
|                                                                                              | Lever       | OH/UG        | 22 kA                        | RC816F200SLS [4] [6] | 1                        | QOM2200VH                                   | 200 A         | 8                                                              | 16       | 8       | 200 A              | A                               | 6-350                                 | 8–2/0                                |       |
| <b>All-in-One Combination Service Entrance Devices [3]</b>                                   |             |              |                              |                      |                          |                                             |               |                                                                |          |         |                    |                                 |                                       |                                      |       |
| <b>Surface Mount Only</b>                                                                    |             |              |                              |                      |                          |                                             |               |                                                                |          |         |                    |                                 |                                       |                                      |       |
| QC                                                                                           | 200 A       | None         | OH/UG                        | 22 kA                | QC2442M200SS [5]         | 1                                           | QOM2200VH     | 200 A                                                          | 24       | 42      | 18                 | 200 A                           | A                                     | 6-350                                | 8–2/0 |
|                                                                                              |             | Horn         | OH/UG                        | 22 kA                | QC2442M200SHS [7] [5]    | 1                                           | QOM2200VH     | 200 A                                                          | 24       | 42      | 18                 | 200 A                           | A                                     | 6-350                                | 8–2/0 |
| Homeline                                                                                     | 150 A       | Horn         | OH/UG                        | 22 kA                | RC2040M150SHS [7] [5]    | 1                                           | QOM2150VH     | 150 A                                                          | 20       | 40      | 20                 | 150 A                           | A                                     | 6-350                                | 8–2/0 |
|                                                                                              |             | Lever        | OH/UG                        | 22 kA                | RC3040M150SLS [6]        | 1                                           | QOM2150VH     | 150 A                                                          | 30       | 40      | 10                 | 150 A                           | A                                     | 6-350                                | 8–2/0 |
|                                                                                              | 200 A       | None         | OH/UG                        | 22 kA                | RC2040M200SS [5]         | 1                                           | QOM2200VH     | 200 A                                                          | 20       | 40      | 20                 | 200 A                           | A                                     | 6-350                                | 8–2/0 |
|                                                                                              |             | Horn         | OH/UG                        | 22 kA                | RC2040M200SHS [7] [5]    | 1                                           | QOM2200VH     | 200 A                                                          | 20       | 40      | 20                 | 200 A                           | A                                     | 6-350                                | 8–2/0 |
|                                                                                              |             | None         | OH                           | 22 kA                | SO2040M200SS [5]         | 1                                           | QOM2200VH     | 200 A                                                          | 20       | 40      | 20                 | 200 A                           | A                                     | 6-350                                | 8–2/0 |
|                                                                                              |             | Lever        | OH/UG                        | 22 kA                | RC3040M200SLS [6]        | 1                                           | QOM2200VH     | 200 A                                                          | 30       | 40      | 10                 | 200 A                           | A                                     | 6-350                                | 8–2/0 |

\* Kit is to be installed between meter socket and Main Disconnect. May be used with Solar PV, Wind, fuel generators, and other power generation sources up to 80% of Mains Rating Maximum 160 A.



- RC816F150SS
- RC816F200SS
- RC816F200SHS
- QC816F150SS
- QC816F200SS
- RC2040M150SHS
- RC2040M200SS
- RC2040M200SHS
- SO2040M200SS
- QC2442M200SS
- QC2442M200SHS
- QC816F150SLS
- RC816F150SLS
- RC3040M150SLS
- QC816F200SLS
- RC816F200SLS
- RC3040M200SLS

**Table 1.68: Knockouts**

| Symbol             | A   | B   | C | D     | E     | F | G     | H | I     | J |
|--------------------|-----|-----|---|-------|-------|---|-------|---|-------|---|
| Conduit Size (in.) | 1/2 | 3/4 | 1 | 1-1/4 | 1-1/2 | 2 | 2-1/2 | 3 | 3-1/2 | 4 |

**Table 1.69: All-in-One Combination Service Entrance Devices—Plug on Neutral**

| Main Breaker                       | Bus Bar Ampere Rating | Bypass Type | Service Type | Short Circuit Current Rating | Cat. No.         | Service Disconnect(s) |                                             |               | Load Center and Branch Circuit Breakers (Order Separately) |          |         |                    | Hub Type (Order Separately) | Line Side Main Lugs AWG/kcmil (Al/Cu) | Service Ground Lug AWG/kcmil (Al/Cu) |
|------------------------------------|-----------------------|-------------|--------------|------------------------------|------------------|-----------------------|---------------------------------------------|---------------|------------------------------------------------------------|----------|---------|--------------------|-----------------------------|---------------------------------------|--------------------------------------|
|                                    |                       |             |              |                              |                  | 2P Circuits (Max.)    | Type (Factory Installed except where noted) | Ampere Rating | Max. Quantity                                              |          |         | Ampere Rating Max. |                             |                                       |                                      |
|                                    |                       |             |              |                              |                  |                       |                                             |               | Spaces                                                     | Circuits | Tandems |                    |                             |                                       |                                      |
| <b>Homeline Surface Mount Only</b> |                       |             |              |                              |                  |                       |                                             |               |                                                            |          |         |                    |                             |                                       |                                      |
| 200 A                              | 200 A                 | None        | OH/UG        | 22 kA                        | RC3042M200PS [5] | 1                     | QOM2200VH                                   | 30            | 42                                                         | 12       | 200 A   | A                  | 6-350                       | 12–2/0                                |                                      |

[1] To order load centers and branch circuit breakers, see QC Plug-On Circuit Breakers, page 1-10 and Homeline Plug-On Circuit Breakers, page 1-20  
 [2] See Bolt-On Hubs, page 1-24  
 [3] Solar Ready Kit Part Number SR69064A \* (This Kit Fits All Solar Ready Devices)  
 [4] Supplied with load side feed-thru lugs, for 4AWG-250 kcmil Al/Cu conductors.  
 [5] Suitable for load wires to exit top endwall with addition of Tunnel Kit OHBS. See (see Table 1.65 Accessories, page 1-31, check with local utility for approval.  
 [6] Suitable for load wires to exit top endwall with addition of Tunnel Kit OHBL. See (see Table 1.65 Accessories, page 1-31, check with local utility for approval.  
 [7] Device supplied with horn bypass and 5th jaw factory installed

Homeline Solar Ready PoN CSEDs

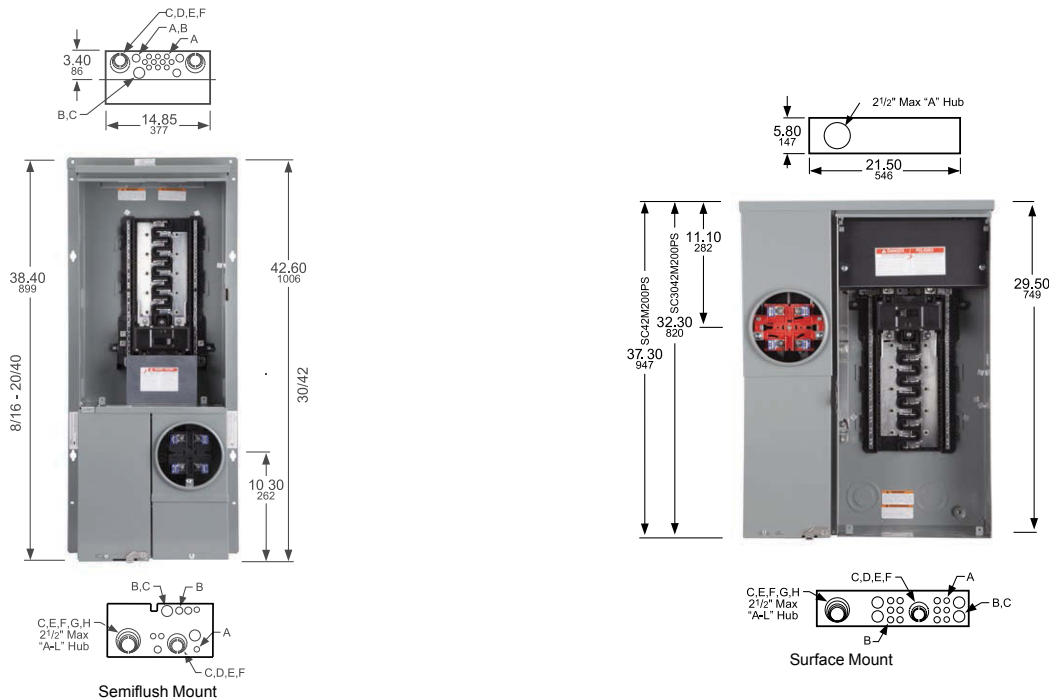
- Ring-type Meter Sockets
- UL Listed, suitable only for use as service equipment
- Service disconnect(s) are supplied factory-installed, except where noted
- Interiors accept plug-on neutral and pigtail style branch circuit breakers
- Supplied with a fully distributed neutral bar, all unused terminals may be used for equipment grounding wires
- Meets Federal Specification W-P-115c as Type 1, Class 2
- Solar Ready kit SR69064A fits all devices below
- All devices have a 3" KO in the bottom endwall
- Provisions for field installed CTs on All devices
- Meets EUSERC requirements

Table 1.70: All-In-One Combination Service Entrance Devices

| Main Breaker                | Bus Bar Ampere Rating | Bypass Type | Service Type | Short Circuit Current Rating | Cat. No. [1]    | Service Disconnect(s) |                                             | Load Center and Branch Circuit Breakers (Order Separately Pages 1-2, 1-3, 1-4) |          |         |                    | Hub Type (Order Separately [2]) | Line Side Main Lugs AWG/kcmil (Al/Cu) | Service Ground Lug AWG/kcmil (Al/Cu) |
|-----------------------------|-----------------------|-------------|--------------|------------------------------|-----------------|-----------------------|---------------------------------------------|--------------------------------------------------------------------------------|----------|---------|--------------------|---------------------------------|---------------------------------------|--------------------------------------|
|                             |                       |             |              |                              |                 | 2P Circuits (Max.)    | Type (Factory Installed except where noted) | Max. Quantity                                                                  |          |         | Ampere Rating Max. |                                 |                                       |                                      |
|                             |                       |             |              |                              |                 |                       |                                             | Spaces                                                                         | Circuits | Tandems |                    |                                 |                                       |                                      |
| <b>Semiflush Mount Only</b> |                       |             |              |                              |                 |                       |                                             |                                                                                |          |         |                    |                                 |                                       |                                      |
| 200 A                       | 225 A                 | None        | OH[3]/UG     | 22 kA                        | SC816F200PF [4] | 1                     | QOM2200VH                                   | 8                                                                              | 16       | 8       | 200 A              | A-L                             | 4-250                                 | 8-2/0                                |
| 125 A                       |                       | None        | OH[3]/UG     | 22 kA                        | SC2040M125PF    | 1                     | QOM2125VH                                   | 20                                                                             | 40       | 20      | 110 A              |                                 |                                       |                                      |
| 200 A                       |                       | None        | OH[3]/UG     | 22 kA                        | SC2040M200PF    | 1                     | QOM2200VH                                   | 20                                                                             | 40       | 20      | 200 A              |                                 |                                       |                                      |
|                             |                       | None        | OH[5]/UG     | 22 kA                        | SC3042M200PF    | 1                     | QOM2200VH                                   | 30                                                                             | 42       | 12      | 200 A              |                                 |                                       |                                      |
| 225 A                       |                       | None        | OH[5]/UG     | 22 kA                        | SC3042M225PF    | 1                     | QOM2225VH                                   | 30                                                                             | 42       | 12      | 200 A              |                                 |                                       |                                      |
| <b>Surface Mount Only</b>   |                       |             |              |                              |                 |                       |                                             |                                                                                |          |         |                    |                                 |                                       |                                      |
| 150 A                       | 200 A                 | None        | OH/UG        | 22 kA                        | SC816F150PS [4] | 1                     | QOM2150VH                                   | 8                                                                              | 16       | 8       | 150 A              | A-L                             | 4-250                                 | 8-2/0                                |
| 200 A                       |                       | None        | OH/UG        | 22 kA                        | SC816F200PS [4] | 1                     | QOM2200VH                                   | 8                                                                              | 16       | 8       | 200 A              |                                 |                                       |                                      |
|                             |                       | None        | OH/UG        | 22 kA                        | SC2040M200PS    | 1                     | QOM2200VH                                   | 20                                                                             | 40       | 20      | 200 A              |                                 |                                       |                                      |
|                             |                       | None        | OH/UG        | 22 kA                        | SC3042M200PS    | 1                     | QOM2200VH                                   | 30                                                                             | 42       | 12      | 200 A              |                                 |                                       |                                      |
|                             |                       | None        | OH/UG        | 22 kA                        | SC42M200PS      | 1                     | QOM2200VH                                   | 42                                                                             | 42       | 0       | 200 A              |                                 |                                       |                                      |

Table 1.71: Knockouts

| Symbol             | A   | B   | C | D     | E     | F | G     | H | I     | J |
|--------------------|-----|-----|---|-------|-------|---|-------|---|-------|---|
| Conduit Size (in.) | 1/2 | 3/4 | 1 | 1-1/4 | 1-1/2 | 2 | 2-1/2 | 3 | 3-1/2 | 4 |



[1] Accepts Solar Ready Kit Part Number SR69064A. Check with local utility for approval and order separately.  
 [2] See Bolt-On Hubs, page 1-24  
 [3] Suitable for OH service with addition of tunnel kit (SCTKP20). Check with local utility for approval and order separately.  
 [4] Supplied with load side feed-thru lugs, for 4AWG-250 kcmil Al/Cu conductors.  
 [5] Suitable for OH service with addition of tunnel kit (SCTKP30). Check with local utility for approval and order separately.

**1Ø3W—120/240 Vac—240 Vac—UL Listed**

**Table 1.72: Enclosed Molded Case Switch, Switch Included, Does NOT provide overcurrent protection**

| Service     | Ampere Rating | General Purpose | Rainproof | Box No. [1] |
|-------------|---------------|-----------------|-----------|-------------|
| 240 Vac     | 60 A [2] [3]  | QO260NATS       | QO200TR   | 2, 9R [4]   |
|             |               |                 | QO200TRNM | 1NM         |
|             |               |                 | QO260NATR | 1R          |
| 120/240 Vac | 100 A [5]     | QO2000NS        | QO2000NRB | 13, 10R     |



QO200TRNM

**Table 1.73: Housing Bracket**

| Description                                                                              | Cat. No. |
|------------------------------------------------------------------------------------------|----------|
| Bracket used with QO200TR for stucco, aluminum and vinyl siding. (This item is obsolete) | PKHB     |

**Table 1.74: Enclosed GFCI Circuit Breakers, GFCI Circuit Breaker Included—10 kA Short Circuit Current Rating**

| Service     | Ampere Rating | Type 3R—Rainproof         | Circuit Breaker Included | Box No. [1]                         |
|-------------|---------------|---------------------------|--------------------------|-------------------------------------|
| 120/240 Vac | 50 A          | QOE250GFINM<br>HOME250SPA | QO250GFI<br>HOM250GFI    | 1NM (Non-metallic)<br>1R (Metallic) |



QO3100BNF  
With Cover Removed


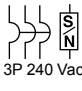
**Table 1.75: 2-Pole Circuit Breaker Enclosures—22 kA Short Circuit Current Rating**

| Service [6] | Ampere Rating  | General Purpose [7]        | Rainproof                | Box No. [1]        |
|-------------|----------------|----------------------------|--------------------------|--------------------|
| 120/240 Vac | 100 A<br>125 A | QO2100BNF/S<br>QO2125BNF/S | QO2100BNRB<br>QO2125BNRB | 13, 10R<br>18, 13R |
| 240 Vac     | 100 A          | QO3100BNF/S                | QO3100BNRB               | 13, 10R            |

60A Max. Circuit Breaker Enclosures—10 kA Short Circuit Current Rating  
Circuit breaker not included. Order separately from **QO Plug-On Circuit Breakers**, page 1-10. Will not accept QO-GFI circuit breaker nor QO circuit breakers with factory-installed accessories.

|         |          |   |       |        |
|---------|----------|---|-------|--------|
| 240 Vac | 60 A [2] | — | QO2TR | 9R [4] |
|---------|----------|---|-------|--------|

**Table 1.76: Q Frame Enclosures and Q Frame Circuit Breakers**

| Service                                                                                                      | Enclosure Only [8]               |                                  |                    | Circuit Breaker (Order Separately)                                                                |            |           |          |               |
|--------------------------------------------------------------------------------------------------------------|----------------------------------|----------------------------------|--------------------|---------------------------------------------------------------------------------------------------|------------|-----------|----------|---------------|
|                                                                                                              | Type 1—General Purpose [7]       | Type 3R—Rainproof                | Box No. [1]        | Ampere Rating                                                                                     | 10 k AIR   | 25 k AIR  | 65 k AIR | 100 k AIR     |
| <br>2P 240 Vac<br>Maximum | Q22200NS [9]<br>or<br>Q23225NF/S | Q22200NRB [9]<br>or<br>Q23225NRB | 19, 11R<br>20, 12R | 70 A                                                                                              | QBL22070   | QDL22070  | QGL22070 | QJL22070      |
|                                                                                                              |                                  |                                  |                    | 80 A                                                                                              | QBL22080   | QDL22080  | QGL22080 | QJL22080      |
|                                                                                                              |                                  |                                  |                    | 90 A                                                                                              | QBL22090   | QDL22090  | QGL22090 | QJL22090      |
|                                                                                                              |                                  |                                  |                    | 100 A                                                                                             | QBL22100   | QDL22100  | QGL22100 | QJL22100      |
|                                                                                                              |                                  |                                  |                    | 110 A                                                                                             | QBL22110   | QDL22110  | QGL22110 | QJL22110      |
|                                                                                                              |                                  |                                  |                    | 125 A                                                                                             | QBL22125   | QDL22125  | QGL22125 | QJL22125      |
|                                                                                                              |                                  |                                  |                    | 150 A                                                                                             | QBL22150   | QDL22150  | QGL22150 | QJL22150      |
|                                                                                                              |                                  |                                  |                    | 175 A                                                                                             | QBL22175   | QDL22175  | QGL22175 | QJL22175      |
|                                                                                                              |                                  |                                  |                    | 200 A                                                                                             | QBL22200   | QDL22200  | QGL22200 | QJL22200      |
|                                                                                                              |                                  |                                  |                    | 225 A                                                                                             | QBL22225   | QDL22225  | QGL22225 | QJL22225      |
|                                                                                                              |                                  |                                  |                    | <br>3P 240 Vac | Q23225NF/S | Q23225NRB | 20, 12R  | 70 A          |
| 80 A                                                                                                         | QBL32080                         | QDL32080                         | QGL32080           |                                                                                                   |            |           |          | QJL32080 [10] |
| 90 A                                                                                                         | QBL32090                         | QDL32090                         | QGL32090           |                                                                                                   |            |           |          | QJL32090 [10] |
| 100 A                                                                                                        | QBL32100                         | QDL32100                         | QGL32100           |                                                                                                   |            |           |          | QJL32100 [10] |
| 110 A                                                                                                        | QBL32110                         | QDL32110                         | QGL32110           |                                                                                                   |            |           |          | QJL32110 [10] |
| 125 A                                                                                                        | QBL32125                         | QDL32125                         | QGL32125           |                                                                                                   |            |           |          | QJL32125 [10] |
| 150 A                                                                                                        | QBL32150                         | QDL32150                         | QGL32150           |                                                                                                   |            |           |          | QJL32150 [10] |
| 175 A                                                                                                        | QBL32175                         | QDL32175                         | QGL32175           |                                                                                                   |            |           |          | QJL32175 [10] |
| 200 A                                                                                                        | QBL32200                         | QDL32200                         | QGL32200           |                                                                                                   |            |           |          | QJL32200 [10] |
| 225 A                                                                                                        | QBL32225                         | QDL32225                         | QGL32225           |                                                                                                   |            |           |          | QJL32225 [10] |

[1] See Table 1.53 Knockout Information, page 1-23

[2] Not suitable for service equipment.

[3] Maximum 10 hp 240 Vac.

[4] Top endwall has no hub opening.

[5] Maximum 20 hp 240 Vac.

[6] Not for use with one pole QO circuit breakers. Circuit breakers not included. Order QO type circuit breakers separately from pages 1-2 and 1-3. Accepts QO circuit breakers with factory-installed accessories. Order equipment ground bar PKOGTA2, if required.


[7] Order F for flush, S for surface.

[8] Factory-installed groundable neutral assembly includes (2) ground lugs and (2) neutral lugs. Equipment ground kit PKOGTA2 also included.

[9] Accepts 200 A max. 2P Q Frame circuit breakers.

[10] Equipment ground bar kit PKOGTA2 factory-included.

Table 1.77: QOM2 Enclosures and QOM2 Circuit Breakers

| Service                                                                                                     | Enclosure Only [11]         |                   |              | QOM2 Circuit Breaker (Order Separately) [12] |               |
|-------------------------------------------------------------------------------------------------------------|-----------------------------|-------------------|--------------|----------------------------------------------|---------------|
|                                                                                                             | Type 1 General Purpose [13] | Type 3R Rainproof | Box No. [14] | Ampere Rating                                | 22 k AIR      |
|                                                                                                             | Cat. No.                    | Cat. No.          |              |                                              | Cat. No. [15] |
|  <p>2P 240 Vac Maximum</p> | QOM22225NF/S                | QOM22225NRB       | 22, 16R      | 100 A                                        | QOM2100VH     |
|                                                                                                             |                             |                   |              | 125 A                                        | QOM2125VH     |
|                                                                                                             |                             |                   |              | 150 A                                        | QOM2150VH     |
|                                                                                                             |                             |                   |              | 175 A                                        | QOM2175VH     |
|                                                                                                             |                             |                   |              | 200 A                                        | QOM2200VH     |
|                                                                                                             |                             |                   | 225 A        | QOM2225VH                                    |               |



QOM22225NS  
With Cover Removed



Q22200NS  
With Cover Removed



Q23225NF

(Order Q-Frame circuit breaker separately)

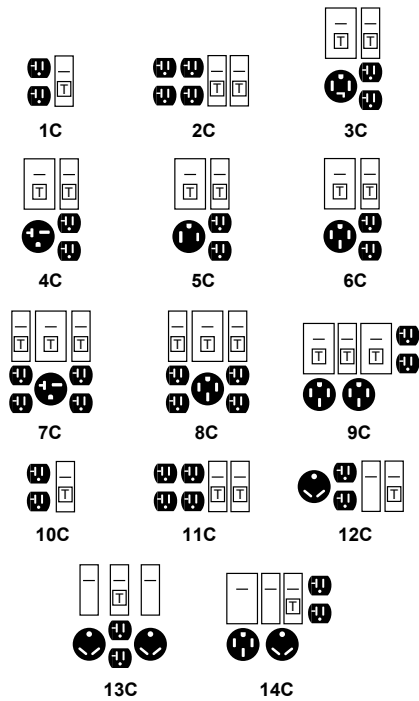
[11] Equipment ground bar kit PKOGTA2 factory-included.

[12] Add suffix 1021 for 120, 208 or 240 Vac shunt trip.

[13] Order F for flush, S for surface.

[14] See Table 1.53 Knockout Information, page 1-23

[15] DE3A Discount Schedule.



### Power Outlet Panels for Construction Sites

- Provide temporary power at construction sites.
- Each receptacle protected by QO-GFI circuit breaker in compliance with NEC® requirements.
- Each enclosure is rainproof.
- 10 kA short circuit current rating.
- UL Listed as suitable for use as temporary site service equipment.
- Provided with neutral bonding provisions.
- Boxes have provisions for type "B" hubs to be field-installed.

Table 1.78: Construction Site Panels

| Power Outlet Configuration | Service [1] | Mains Ampere Rating | Circuit Breaker (Included)   | Receptacles (Included) |   |   |   |   |    | Cat. No. [2] | Main Wire Size AWG [3] |      |
|----------------------------|-------------|---------------------|------------------------------|------------------------|---|---|---|---|----|--------------|------------------------|------|
|                            |             |                     |                              | A                      | C | D | E | F | Cu |              | Al                     |      |
| 1C                         | 1Ø2W        | 40 A                | (1) QO120GFI                 | 1                      |   |   |   |   |    | PAK10C1      | 14-6                   | 12-6 |
| 2C                         | 1Ø2W        | 40 A                | (2) QO120GFI                 | 2                      |   |   |   |   |    | PAK11C [4]   | 14-6                   | 12-6 |
| 3C                         | 1Ø3W        | 70 A                | (1) QO120GFI<br>(1) QO230GFI | 1                      |   |   | 1 |   |    | PAK31CGFI    | 8-1                    | 8-1  |
| 4C                         | 1Ø3W        | 70 A                | (1) QO120GFI<br>(1) QO220GFI | 1                      |   | 1 |   |   |    | PAK36C1GFI   | 8-1                    | 8-1  |
| 5C                         | 1Ø3W        | 70 A                | (1) QO120GFI<br>(1) QO250GFI | 1                      |   |   |   | 1 |    | PAK51CGFI    | 8-1                    | 8-1  |
| 6C                         | 1Ø3W        | 70 A                | (1) QO120GFI<br>(1) QO250GFI | 1                      | 1 |   |   |   |    | PAK55CGFI    | 8-1                    | 8-1  |
| 7C                         | 1Ø3W        | 70 A                | (2) QO120GFI<br>(1) QO220GFI | 2                      |   | 1 |   |   |    | PAK72CGFI    | 8-1                    | 8-1  |
| 8C                         | 1Ø3W        | 70 A                | (2) QO120GFI<br>(1) QO250GFI | 2                      | 1 |   |   |   |    | PAK76CGFI    | 8-1                    | 8-1  |
| 9C                         | 1Ø3W        | 100 A               | (1) QO120GFI<br>(2) QO250GFI | 1                      | 2 |   |   |   |    | PAK1004CGFI  | 14-1                   | 12-1 |

### Power Outlet Panels for Recreational Vehicle Parks

- Provide electrical power to individual recreational vehicle park sites.
- Each receptacle protected by appropriate GFI or Standard QO™ circuit breaker.
- All receptacles and circuit breakers included.
- 10 kA short circuit current rating.
- UL Listed.
- All enclosures are rainproof.
- No neutral bonding provisions.
- Loop-feed provisions.

Table 1.79: Recreational Vehicle Park Panels

| Power Outlet Configuration                                              | Service [1] | Mains Ampere Rating | Circuit Breaker (Included)             | Receptacles (Included) [5] |   |   | Cat. No.                        | Main Wire Size AWG/kcmil [6] |          |
|-------------------------------------------------------------------------|-------------|---------------------|----------------------------------------|----------------------------|---|---|---------------------------------|------------------------------|----------|
|                                                                         |             |                     |                                        | A                          | B | C |                                 | Phase and Neutral            |          |
| <b>Underground or Overhead Loop-Feed Terminals—Non-Pedestal [2] [7]</b> |             |                     |                                        |                            |   |   |                                 |                              |          |
| 11C                                                                     | 1Ø2W        | 40 A                | (2) QO120GFI                           | 2                          |   |   | PAK11CTG                        |                              |          |
| 12C                                                                     | 1Ø2W        | 50 A                | (1) QO120GFI<br>(1) QO130              | 1                          | 1 |   | PAK41CTG [8]                    | 14-6                         | 12-6     |
|                                                                         |             |                     | (2) QO130                              |                            |   |   |                                 |                              | 12-1     |
| 14C                                                                     | 1Ø3W        | 100 A               | (1) QO120GFI<br>(1) QO250<br>(1) QO130 | 1                          | 1 | 1 | PAK75CTG<br>(Not Loop Feed) [8] | 14-1                         | 12-1     |
| <b>Pedestal Mounted—Underground Loop-Feed Terminals [9] [10]</b>        |             |                     |                                        |                            |   |   |                                 |                              |          |
| 11C                                                                     | 1Ø2W        | 40 A                | (2) QO120GFI                           | 2                          |   |   | PAK11PG                         |                              |          |
| 12C                                                                     | 1Ø2W        | 50 A                | (1) QO120GFI<br>(1) QO130              | 1                          | 1 |   | PAK41PG [8]                     |                              |          |
| 13C                                                                     | 1Ø2W        | 75 A                | (1) QO120GFI<br>(2) QO130              | 1                          | 2 |   | PAK61PG [8]                     | (2)6-250                     | (2)6-250 |
| 14C                                                                     | 1Ø3W        | 100 A               | (1) QO120GFI<br>(1) QO250<br>(1) QO130 | 1                          | 1 | 1 | PAK75PG [8]                     |                              |          |

|   |  |                                           |
|---|--|-------------------------------------------|
| A |  | 20 A 125 V 2W and Grd.<br>NEMA 5-20R      |
| B |  | 30 A 125 V 2W and Grd<br>ANSI 73.13       |
| C |  | 50 A 125/250 V 3W and Grd.<br>NEMA 14-50R |
| D |  | 20 A 250 V 2W and Grd.<br>NEMA 6-20R      |
| E |  | 30 A 125/250 V 3W and Grd.<br>NEMA 14-30R |
| F |  | 50 A 250 V 2W and Grd.<br>NEMA 6-50R      |

All non-pedestal devices have provisions to field-install a Type "B" hub on the bottom endwall for bottom feed from a conduit riser. Order Type "B" bolt-on hub (B250 Max.) and two mounting screws (Cat. No. 8002505501) and two hex nuts (Cat. No. 2340102000).

[1] (1Ø2W 120 Vac) (1Ø3W 120/240 Vac)  
 [2] Devices have a bolt-on factory-installed closing cap. Order type "B" bolt-on hub separately from page 1-18.  
 [3] Equipment ground terminal suitable for (2) 14 or 12 AWG Cu or (2) 12 or 10 AWG Al.  
 [4] Receptacles in this device are in bottom endwall and are accessible with outer door padlocked. "Order Only" from Lexington—Minimum order quantity is 50 devices.  
 [5] 20 A receptacles protected by 20 A GFI circuit breaker.  
 [6] Two wires each per phase, neutral, and equipment ground—for loop feed (except PAK75CTG).  
 [7] Equipment ground terminal suitable for (2) 14-12 AWG Cu or (2) 12-10 Al.  
 [8] GFI circuit breaker can be substituted for standard 30 A circuit breaker. Add suffix "FI" to catalog number. Example: PAK41CTGFI.  
 [9] Stabilizer foot available for use in unstable ground, order HNPSF  
 [10] Equipment ground terminals suitable for (2) 10-2/0 AWG Cu or (2) 6-2/0 AWG Al.

