

DLM WIRED STANDARD SWITCHES

LMSW-200 SERIES

Low voltage pushbutton switches for control of multiple loads

Customizable buttons with LED status indicators

Plug n' Go automatic configuration and Push n' Learn for personalization

IR transceiver for wireless configuration and remote control

Plug to other components using Cat 5e cables with RJ45 connectors eliminating wiring errors



DESCRIPTION

LMSW-200 Series Wall Switches are programmable, low voltage devices for manual on/off, dimming, and scene control of one or more loads from one or more locations. They are part of the Digital Lighting Management (DLM) system and can control any load(s) connected to DLM room controllers.

OPERATION

LMSW-200 Series Switches operate on Class 2 power supplied to a DLM local network by one or more room controllers. The switches send a digital signal whenever a button or rocker is pressed by a user. Plug n' Go™ automatic configuration assigns on/off, dimming, or scene behaviors to each button and rocker based on the switch's button layout and the types and quantities of other connected loads. When multiple switches are installed, default operation is for multi-way control; each switch controls all of the loads on the system. Button assignments may be quickly reconfigured using Push n' Learn™. Any scenes created may be redefined by adjusting room lighting to the desired scene level, and pressing and holding a scene button. Additional switch settings may be changed using DLM configuration tools.

FEATURES

- Software lockable configuration button, accessible without faceplate removal
- Digital Lighting Management components plug together on a free-topology Category 5e DLM local network
- Infrared (IR) transceiver for wireless configuration and control
- Sleek single gang devices fit decorator wall plates
- Switches may be used for multi-way control
- Each button and rocker can control individual or multiple loads. Buttons can instead control one scene. LED indicates status.
- Each button can be used to dim assigned loads
- Custom engraving available to replace standard engraving
- The product meets the materials restrictions of RoHS

BUTTON FEATURES & IR COMMUNICATIONS

Each button and rocker has an LED showing the status of the load(s) or scene assigned to it. The single-zone dimmer LMSW-211 also has an LED ladder in the bezel to track and annunciate the light level of controlled loads. When an unassigned button is pressed, the LED will blink. Buttons ship with the standardized engraving shown here, but may be personalized with custom-engraved buttons. The IR transceiver in each switch allows two-way communication for wireless system configuration.

APPLICATIONS

LMSW-200 Series Wall Switches are recommended for virtually all applications, including commercial offices, education environments, and health care facilities. Multiple switch types and quantities can be used in the same switch gang or room to create the ideal, multi-way user control scheme. LMSW-200 Series Wall Switches increase energy savings and improve the return on investment of any Digital Lighting Management system.

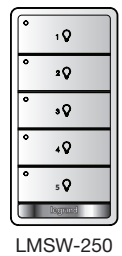
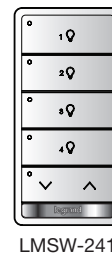
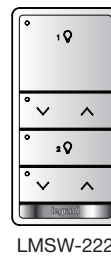
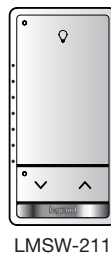
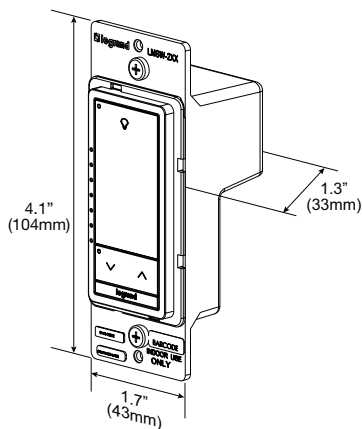
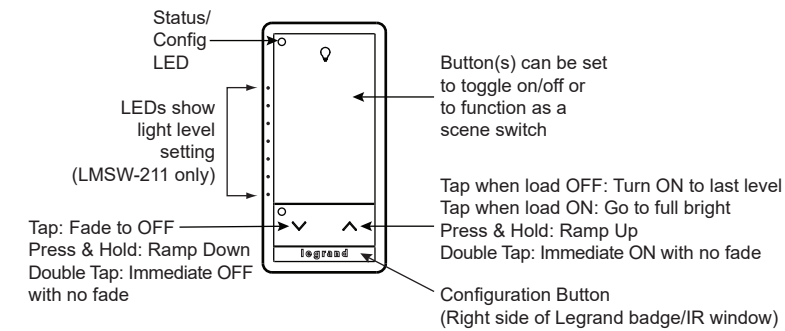
PROJECT		LOCATION/ TYPE	
---------	--	-------------------	--

SPECIFICATIONS

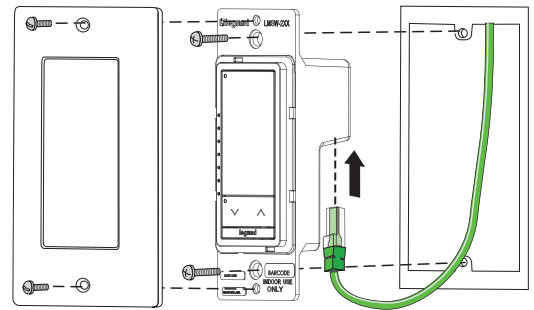
- Input voltage: 24VDC from DLM local network
- Current consumption: 5mA
- DLM local network connection: 2 RJ45 ports
- Many button configurations; LED status indicator for each button
- Infrared (IR) transceiver
- Operating conditions: for indoor use only; 32-131°F (0-55°C); 5-95% RH, non-condensing
- UL and cUL listed
- FCC part 15 compliant
- Five year warranty

CONTROLS & MOUNTING

Product Controls, Dimensions and Models



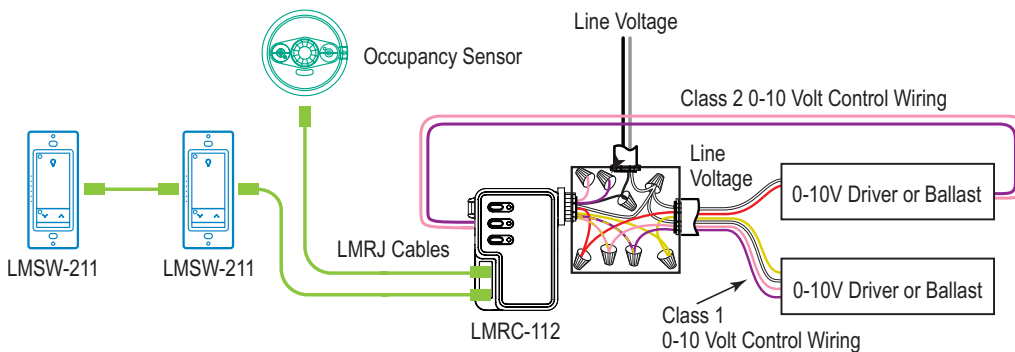
Mounting



LMSW-200 Series Switches fit in standard single gang boxes.

CONNECTING

Sample Connection Diagram with Multi-way Bi-level Control



Plug DLM local network components together in any configuration using Cat 5e cables with RJ45 connectors.

ORDERING INFORMATION

Catalog #		Color	Description
<input type="checkbox"/>	LMSW-210-W	White	1-Button Standard Wall Switch Common Application Single-zone On/Off
<input type="checkbox"/>	LMSW-210-LA	Light Almond	
<input type="checkbox"/>	LMSW-210-I	Ivory	
<input type="checkbox"/>	LMSW-210-GRY	Gray	
<input type="checkbox"/>	LMSW-210-BK	Black	
<input type="checkbox"/>	LMSW-210-BR	Brown	
<input type="checkbox"/>	LMSW-210-RED	Red	
<input type="checkbox"/>	LMSW-211-W	White	
<input type="checkbox"/>	LMSW-211-LA	Light Almond	
<input type="checkbox"/>	LMSW-211-I	Ivory	
<input type="checkbox"/>	LMSW-211-GRY	Gray	
<input type="checkbox"/>	LMSW-211-BK	Black	
<input type="checkbox"/>	LMSW-211-BR	Brown	
<input type="checkbox"/>	LMSW-211-RED	Red	
<input type="checkbox"/>	LMSW-220-W	White	2-Button Standard Wall Switch Common Application Dual-zone On/Off
<input type="checkbox"/>	LMSW-220-LA	Light Almond	
<input type="checkbox"/>	LMSW-220-I	Ivory	
<input type="checkbox"/>	LMSW-220-GRY	Gray	
<input type="checkbox"/>	LMSW-220-BK	Black	
<input type="checkbox"/>	LMSW-220-BR	Brown	
<input type="checkbox"/>	LMSW-220-RED	Red	
<input type="checkbox"/>	LMSW-222-W	White	
<input type="checkbox"/>	LMSW-222-LA	Light Almond	
<input type="checkbox"/>	LMSW-222-I	Ivory	
<input type="checkbox"/>	LMSW-222-GRY	Gray	
<input type="checkbox"/>	LMSW-222-BK	Black	
<input type="checkbox"/>	LMSW-222-BR	Brown	
<input type="checkbox"/>	LMSW-222-RED	Red	
<input type="checkbox"/>	LMSW-241-W	White	4-Button, 1-Rocker Standard Wall Switch Common Application Multi-zone Scene Control
<input type="checkbox"/>	LMSW-241-LA	Light Almond	
<input type="checkbox"/>	LMSW-241-I	Ivory	
<input type="checkbox"/>	LMSW-241-GRY	Gray	
<input type="checkbox"/>	LMSW-241-BK	Black	
<input type="checkbox"/>	LMSW-241-BR	Brown	
<input type="checkbox"/>	LMSW-241-RED	Red	

Catalog #		Color	Description
<input type="checkbox"/>	LMSW-250-W	White	5-Button Standard Wall Switch Common Application Multi-zone Load Control
<input type="checkbox"/>	LMSW-250-LA	Light Almond	
<input type="checkbox"/>	LMSW-250-I	Ivory	
<input type="checkbox"/>	LMSW-250-GRY	Gray	
<input type="checkbox"/>	LMSW-250-BK	Black	
<input type="checkbox"/>	LMSW-250-BR	Brown	
<input type="checkbox"/>	LMSW-250-RED	Red	
BAA/BABA Compliant Models*			
<input type="checkbox"/>	LMSW-210-W-U	White	1-Button Standard Wall Switch
<input type="checkbox"/>	LMSW-211-W-U	White	1-Button, 1-Rocker Standard Wall Switch
<input type="checkbox"/>	LMSW-220-W-U	White	2-Button Standard Wall Switch
<input type="checkbox"/>	LMSW-222-W-U	White	2-Button, 2-Rocker Standard Wall Switch
<input type="checkbox"/>	LMSW-241-W-U	White	4-Button, 1-Rocker Standard Wall Switch
<input type="checkbox"/>	LMSW-250-W-U	White	5-Button Standard Wall Switch

*Product is compliant with the Buy American Act and Build America, Buy America Act

Note: Switches do not include face plates. Order decorator style plate separately. Legrand radiant® plates are recommended for optimal color matching.

31964r6 Rev 12/25