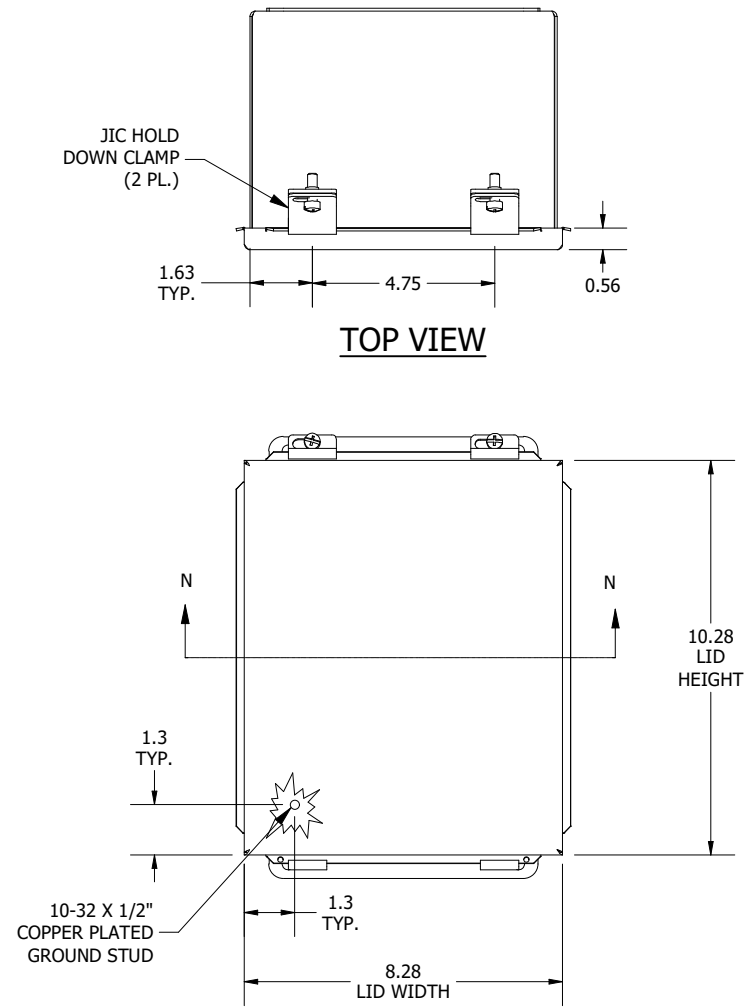
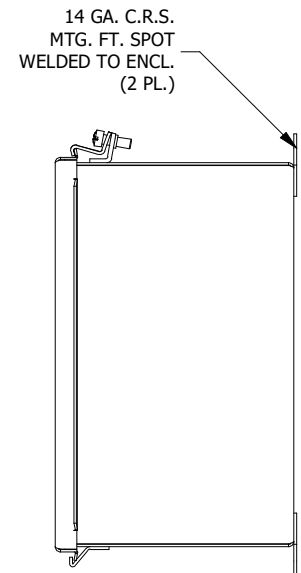


LEFT SIDE VIEW

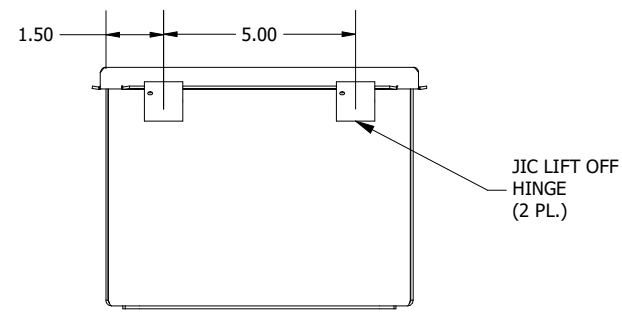


TOP VIEW

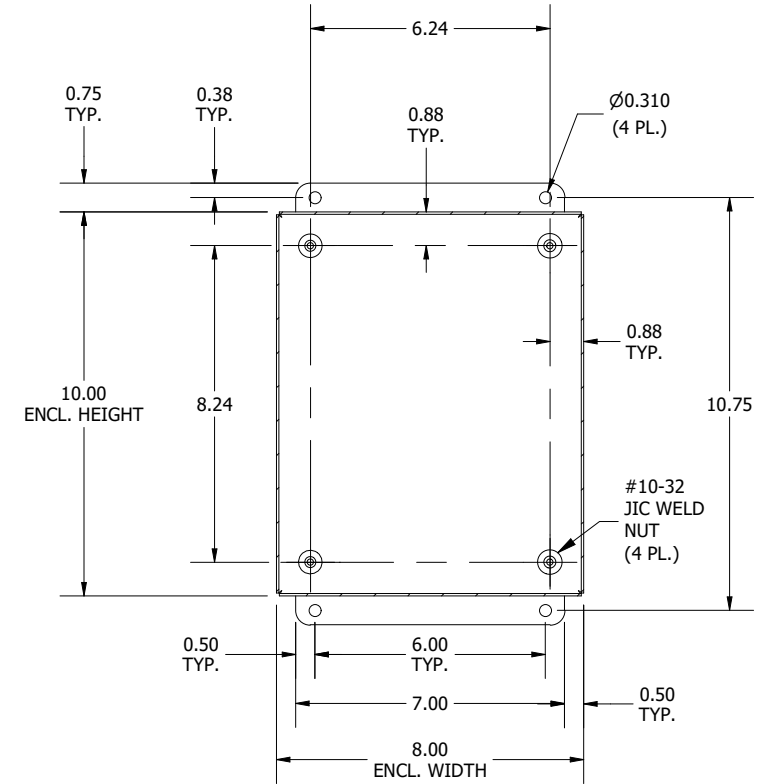
FRONT VIEW



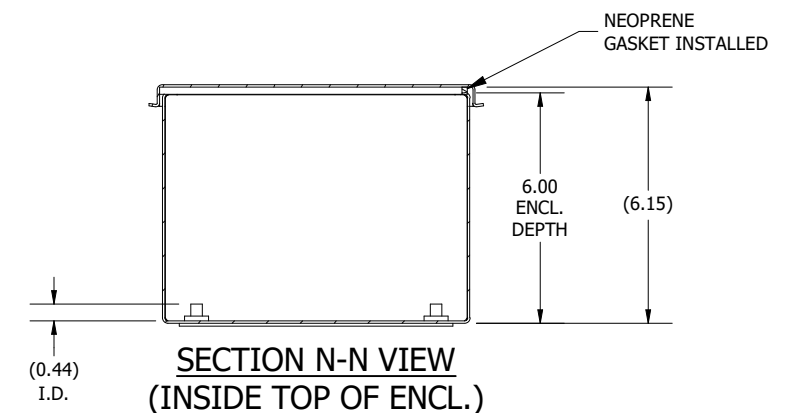
RIGHT SIDE VIEW



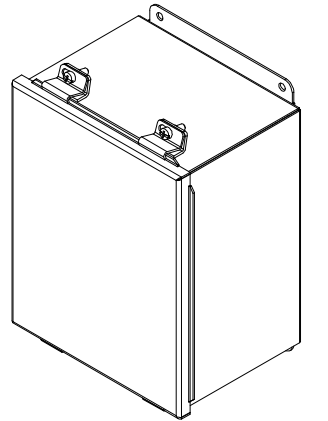
BOTTOM VIEW



SECTION M-M  
(INSIDE BACK OF ENCLOSURE)



SECTION N-N VIEW  
(INSIDE TOP OF ENCL.)



PART #:B100806  
 (DATA SUBJECT TO CHANGE WITHOUT NOTICE)  
 THIS DRAWING IS THE PROPERTY OF HUBBELL INC. WIEGMANN  
 ALL INFORMATION IS PROPRIETARY AND NOT TO BE DUPLICATED