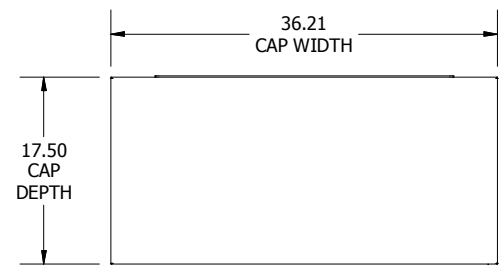
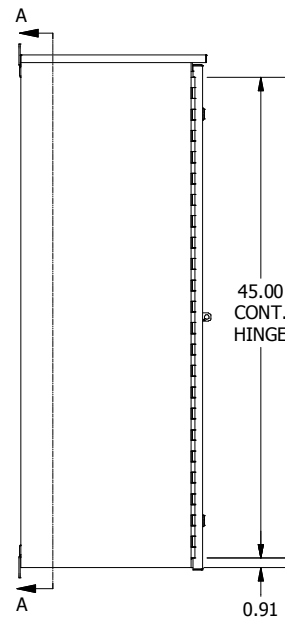


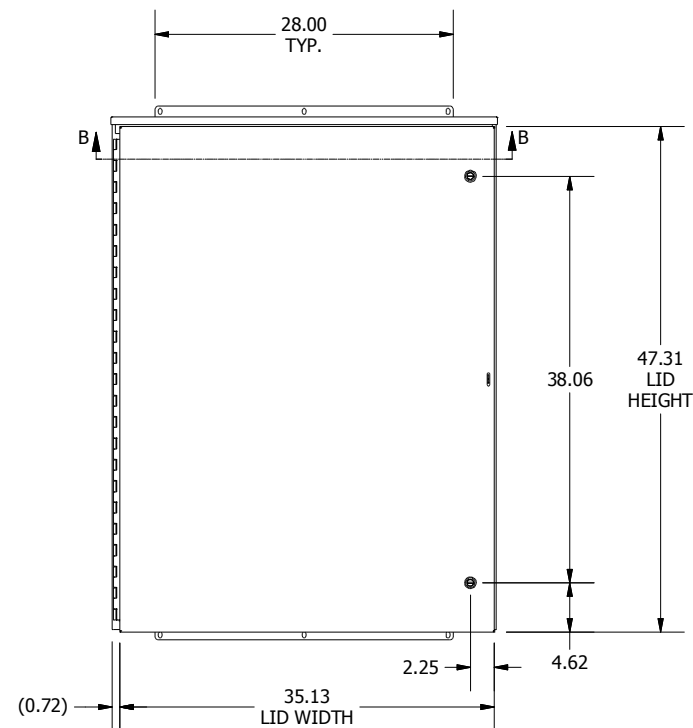
REVISION HISTORY			
REV	DESCRIPTION	BY	DATE
A	ECO#: HFW161018-02	VD	02/06/2017



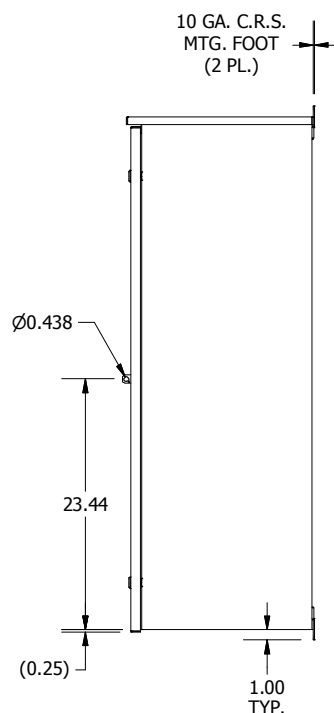
TOP VIEW



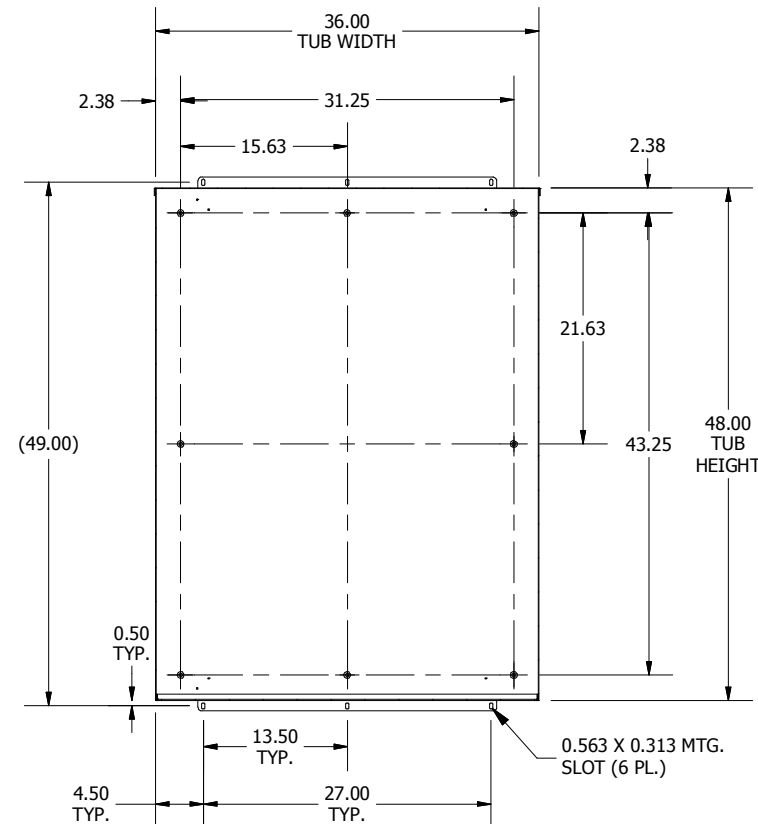
LEFT SIDE VIEW



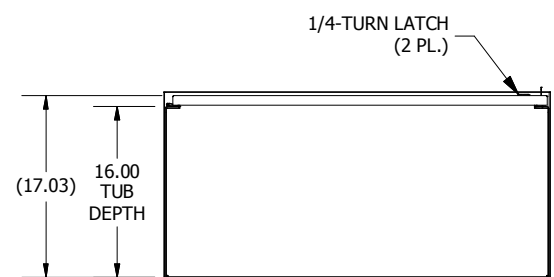
FRONT VIEW



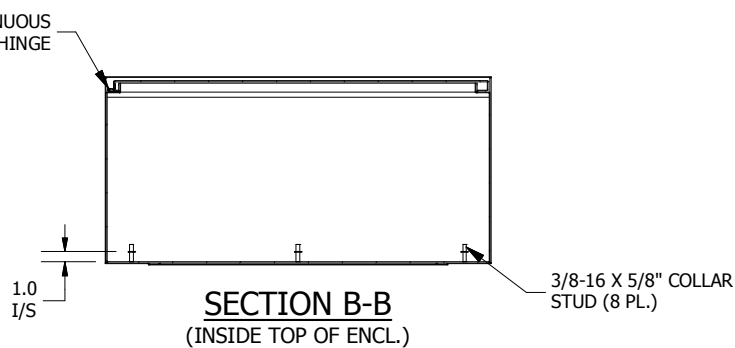
RIGHT SIDE VIEW



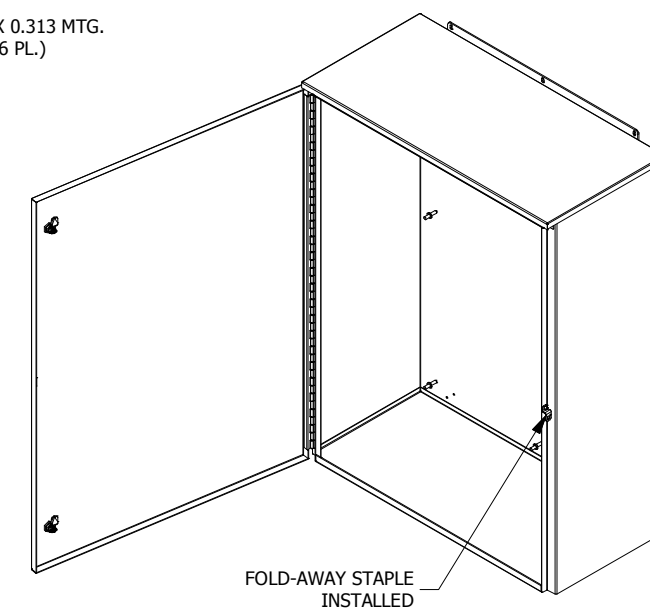
**SECTION A-A
(INSIDE BACK OF ENCL.)**



BOTTOM VIEW



**SECTION B-B
(INSIDE TOP OF ENCL.)**



**FOLD-AWAY STAPLE
INSTALLED**

- NOTES:**
1. ALL DIMENSIONS ARE FROM OUTSIDE UNLESS OTHERWISE NOTED.
 2. ENCLOSURE IS FABRICATED FROM 14 GA. CARBON STEEL.
 3. COLLAR STUDS ARE PROVIDED FOR MOUNTING OPTIONAL SUB PANEL.
 4. ENCLOSURE IS WELDED TOGETHER.
 5. FINISH: ANSI-61 GRAY TEXTURE POLYESTER POWDER (INTERIOR/EXTERIOR).
 6. ENCLOSURE IS RATED UL TYPE 3R.

DIMENSIONS ARE IN INCHES (MM). TOLERANCES UNLESS OTHERWISE SPECIFIED ARE AS FOLLOWS:
 .X = ±.06 (1.6)
 .XX = ±.031 (.8)
 .XXX = ±.016 (.25)
 Ø = ±.005
 ANGLE TOL ±1°



WIEGMANN
 FREEBURG, ILLINOIS, USA

—NOTICE— THIS DRAWING IS THE PROPERTY OF WIEGMANN, A DIVISION OF HUBBELL INCORPORATED. IT IS LOANED TO YOU AND MUST NOT BE USED IN ANY WAY DETRIMENTAL TO THE INTEREST OF WIEGMANN.

PART NUMBER:
RHC483616

MATERIAL:
SEE NOTE

SCALE: NONE
 DRAWN BY: PS
 CHK'D BY: VR

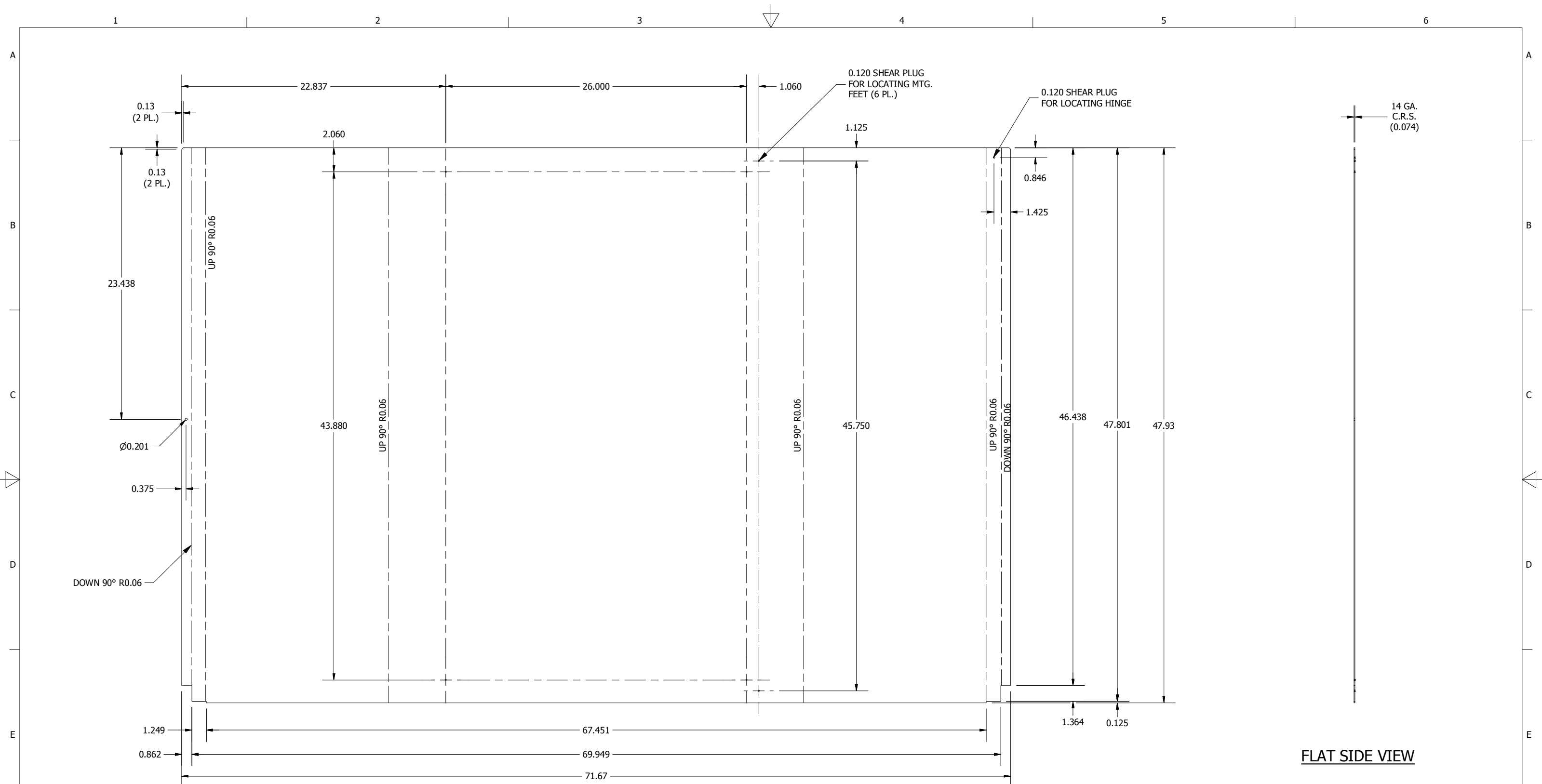
CHK'D DATE: 7/7/2014
 CREATED ON: 7/7/2014

DESCRIPTION:
RHC, NEMA 3R ENCL., CS, 48X36X16

DWG. NO.
HWRHC483616_1

REV.
A

SHEET 1 OF 9



BLR FLAT PATTERN VIEW

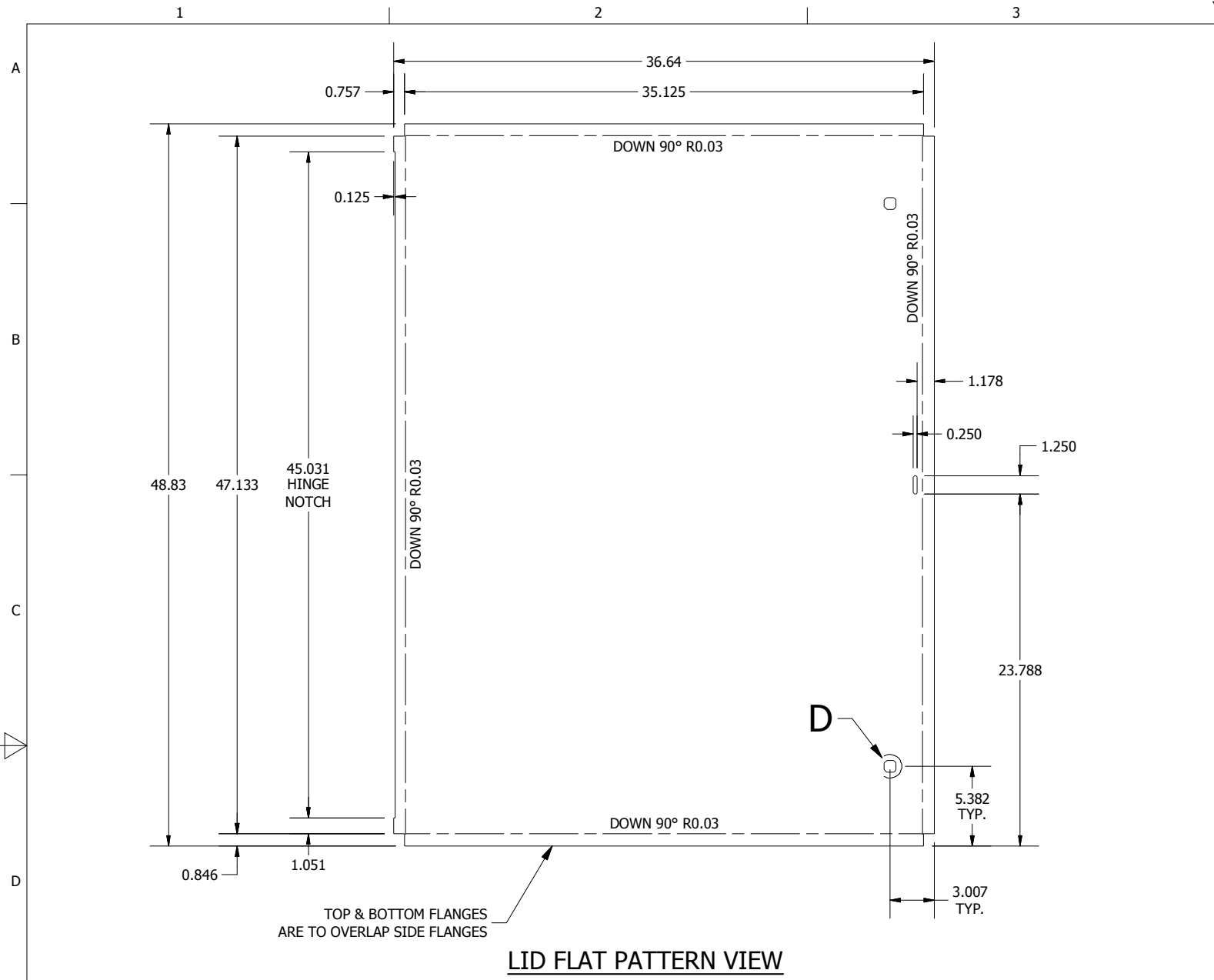
FLAT SIDE VIEW

DIMENSIONS ARE IN INCHES (MM). TOLERANCES UNLESS OTHERWISE SPECIFIED ARE AS FOLLOWS:
 .X = ±.06 (1.6)
 .XX = ±.031 (.8)
 .XXX = ±.016 (.25)
 Ø = ±.005
 ANGLE TOL ±1°

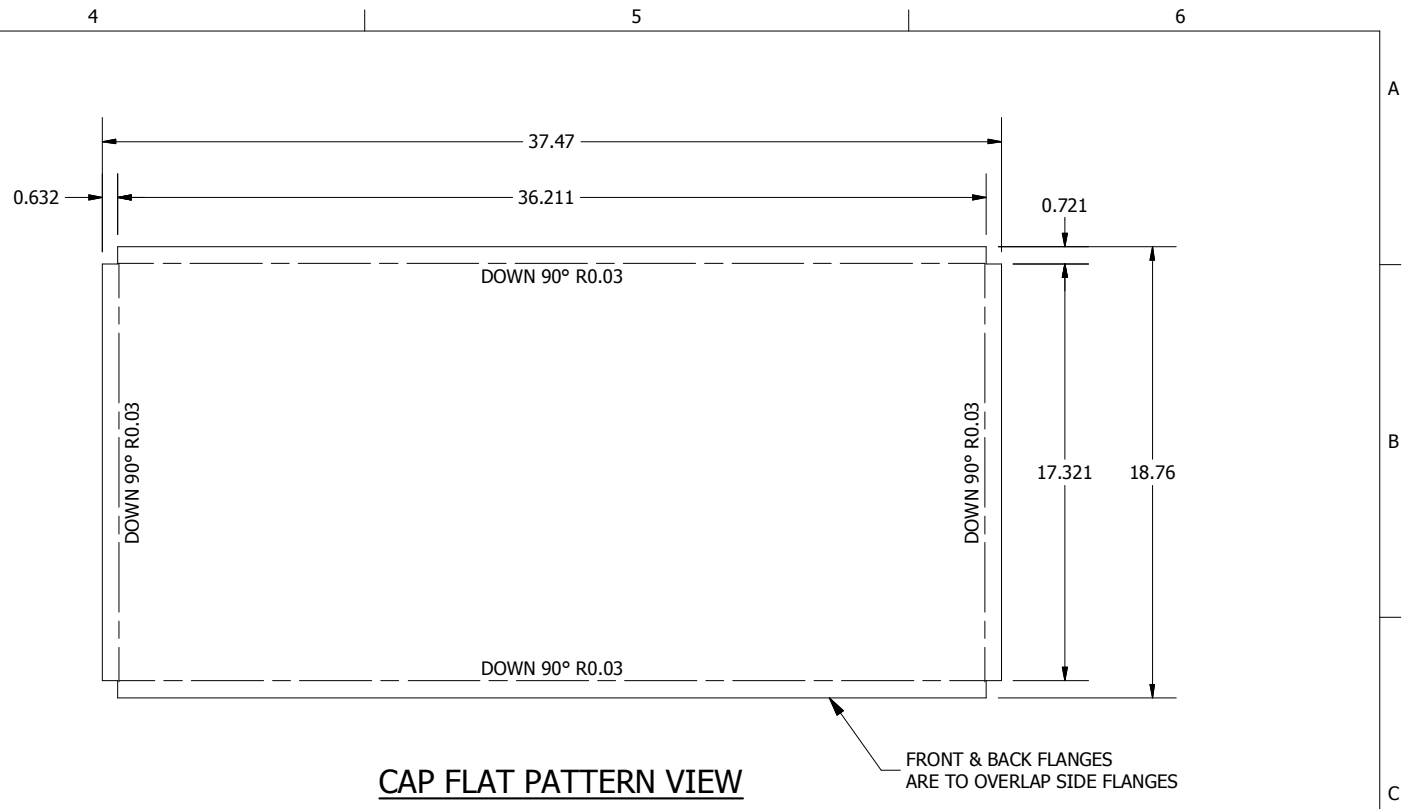
HUBBELL® **WIEGMANN**®
 FREEBURG, ILLINOIS, USA

—NOTICE— THIS DRAWING IS THE PROPERTY OF WIEGMANN, A DIVISION OF HUBBELL INCORPORATED. IT IS LOANED TO YOU AND MUST NOT BE USED IN ANY WAY DETRIMENTAL TO THE INTEREST OF WIEGMANN.

PART NUMBER: RHC483616BLR	MATERIAL: SEE NOTE	SCALE: NONE	CHK'D DATE: 7/7/2014
DESCRIPTION: RHC, BLR, MEDIUM, CS, 48X36X16		DRAWN BY: PS	CREATED ON: 7/7/2014
		CHK'D BY: VR	DWG. NO. HWDRHC483616_2.1
		REV. A	
		SHEET 2 OF 9	



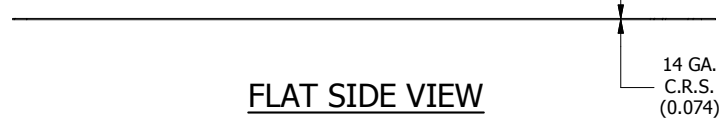
LID FLAT PATTERN VIEW



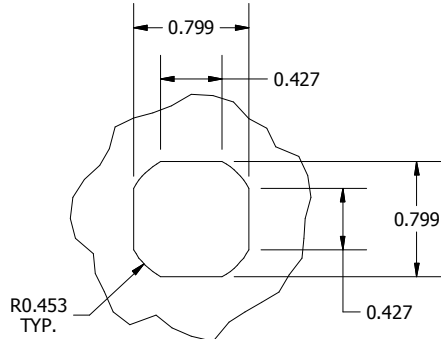
CAP FLAT PATTERN VIEW



FLAT SIDE VIEW



FLAT SIDE VIEW



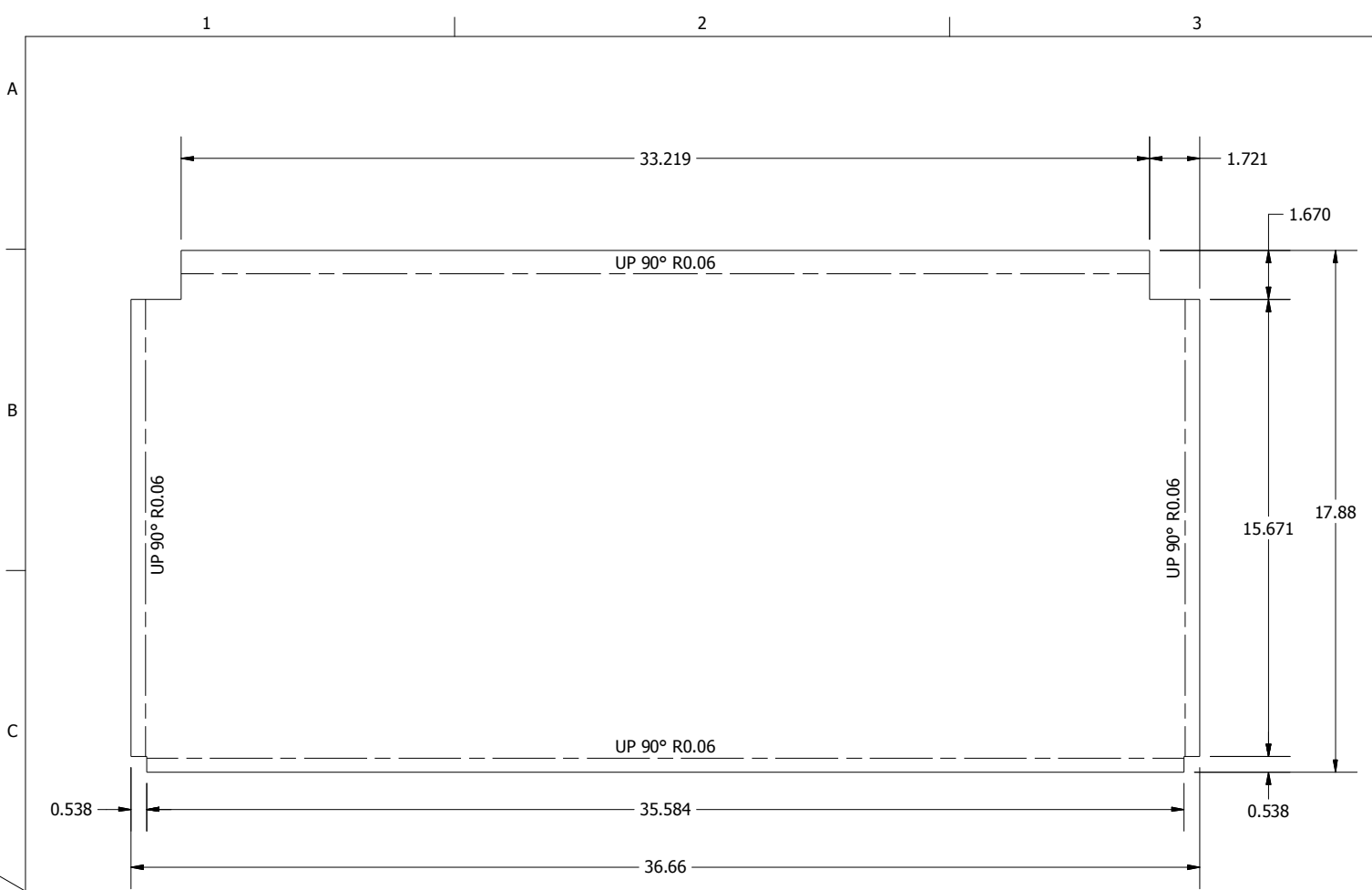
**DETAIL D (2 PL.)
(LATCH PUNCHING DETAIL)**

DIMENSIONS ARE IN INCHES (MM). TOLERANCES UNLESS OTHERWISE SPECIFIED ARE AS FOLLOWS:
 .X = ±.06 (1.6)
 .XX = ±.031 (.8)
 .XXX = ±.016 (.25)
 Ø = ±.005
 ANGLE TOL ±1'

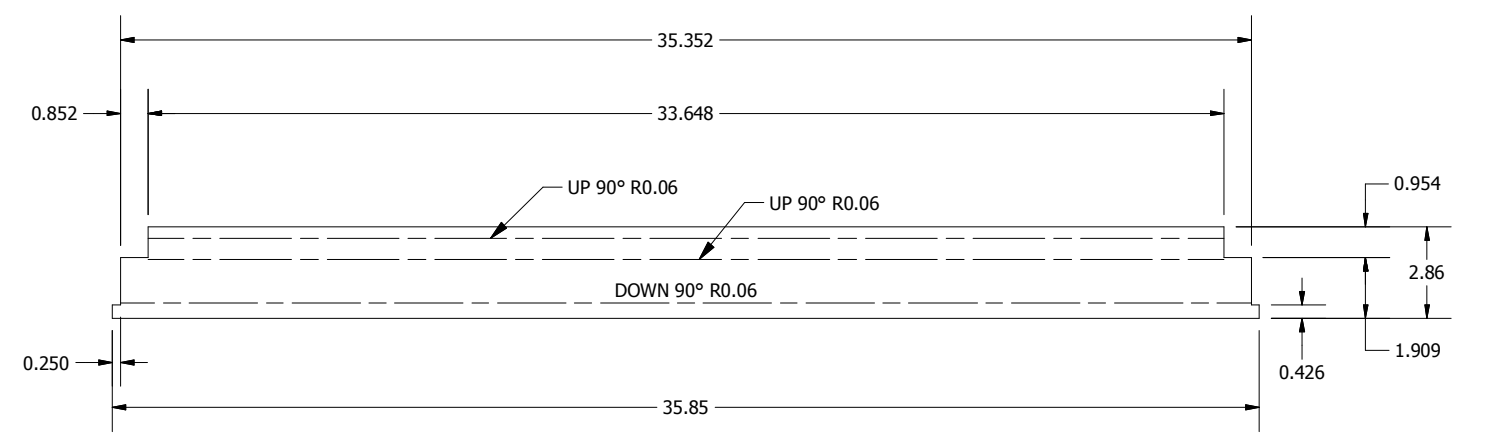
HUBBELL **WIEGMANN**
 FREEBURG, ILLINOIS, USA

—NOTICE— THIS DRAWING IS THE PROPERTY OF WIEGMANN, A DIVISION OF HUBBELL INCORPORATED. IT IS LOANED TO YOU AND MUST NOT BE USED IN ANY WAY DETRIMENTAL TO THE INTEREST OF WIEGMANN.

PART NUMBER: RHC4836LID	MATERIAL: SEE NOTE	SCALE: NONE	CHK'D DATE: 7/7/2014
DESCRIPTION: RHC, LID, CS, NEMA 3R, 48X36		DRAWN BY: PS	CREATED ON: 7/7/2014
		CHK'D BY: VR	DWG. NO. HWD RHC483616_2.2
		REV. A	
		SHEET 3 OF 9	



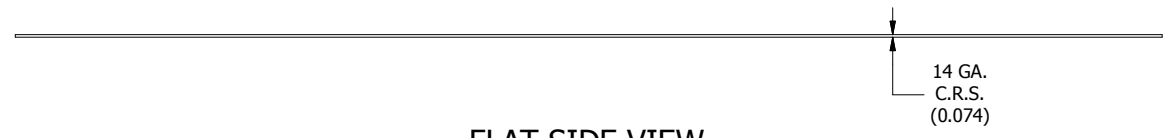
BOTTOM ENDWALL FLAT PATTERN VIEW



TOP ENDWALL FLAT PATTERN VIEW



FLAT SIDE VIEW



FLAT SIDE VIEW

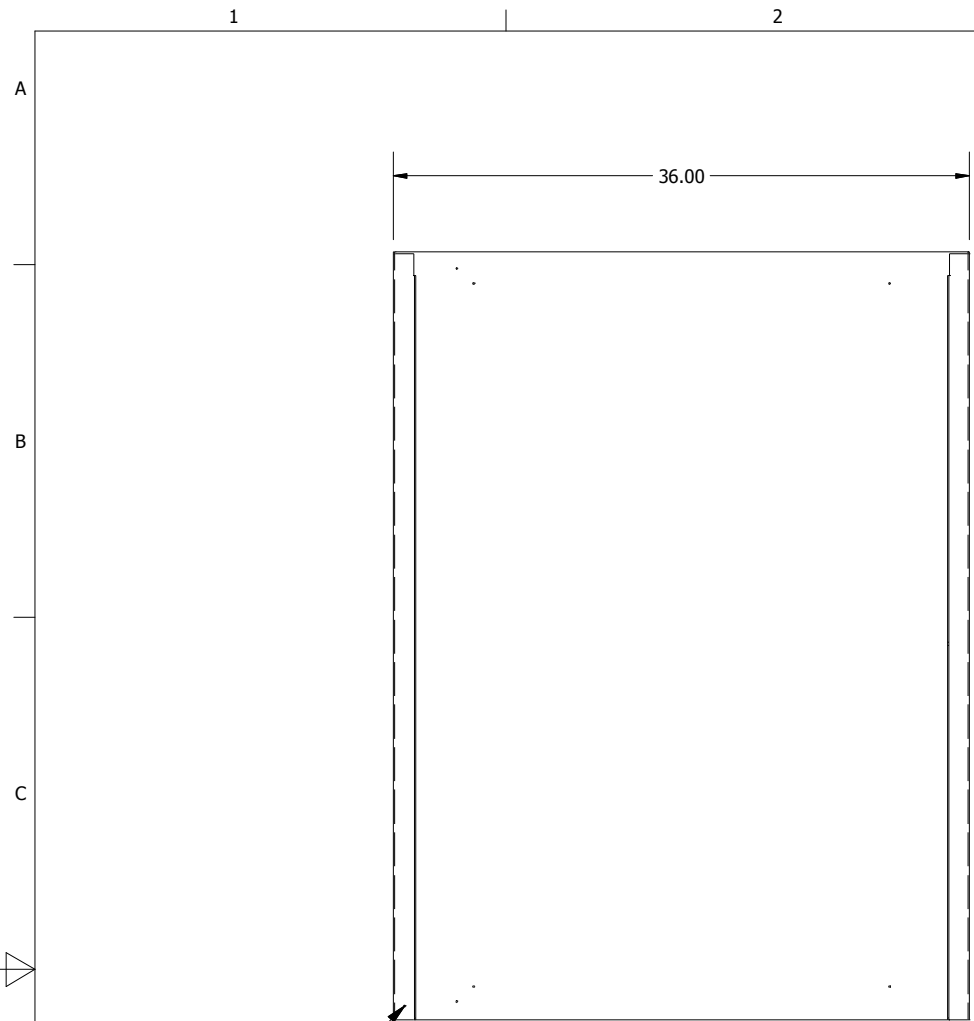
DIMENSIONS ARE IN INCHES (MM). TOLERANCES UNLESS OTHERWISE SPECIFIED ARE AS FOLLOWS:
 .X = ±.06 (1.6)
 .XX = ±.031 (.8)
 .XXX = ±.016 (.25)
 Ø = ±.005
 ANGLE TOL ± 1'

HUBBELL [®] **WIEGMANN** [®]
 FREEBURG, ILLINOIS, USA

—NOTICE— THIS DRAWING IS THE PROPERTY OF WIEGMANN, A DIVISION OF HUBBELL INCORPORATED. IT IS LOANED TO YOU AND MUST NOT BE USED IN ANY WAY DETRIMENTAL TO THE INTEREST OF WIEGMANN.

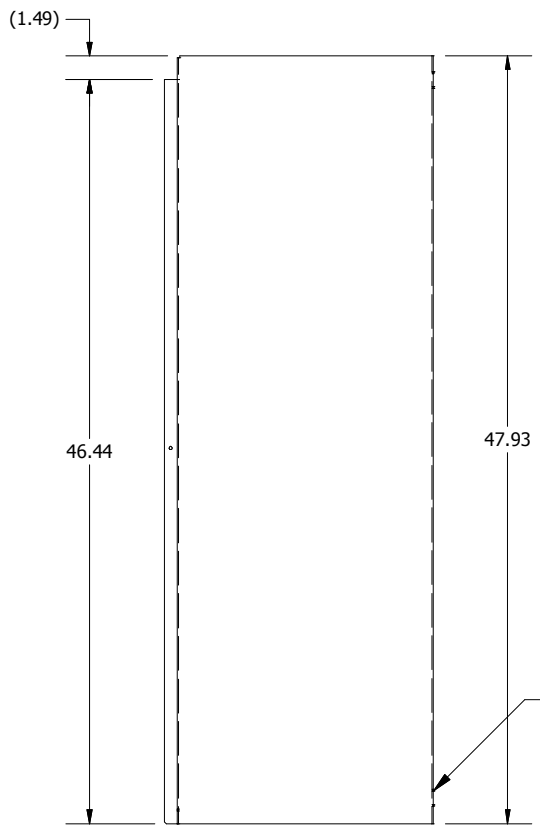
PART NUMBER: RHC3616BTM	MATERIAL: SEE NOTE	SCALE: NONE	CHK'D DATE: 7/7/2014
DESCRIPTION: RHC, BTM, CS, NEMA 3R, 36X16		DRAWN BY: PS	CREATED ON: 7/7/2014
		CHK'D BY: VR	DWG. NO. HWDRHC483616_2.3
		REV. A	
		SHEET 4 OF 9	

SHEET 4 OF 9	
--------------	--



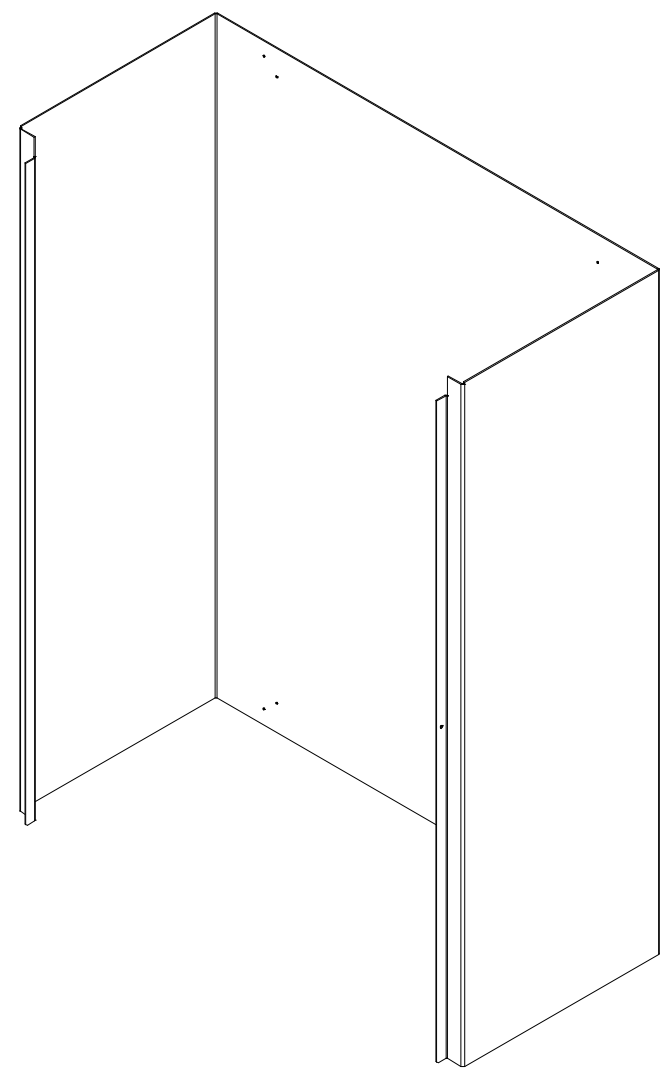
BLR FRONT VIEW

0.120 SHEAR PLUG FOR LOCATING HINGE (PROTRUDE OUTWARD)




SIDE VIEW

0.120 SHEAR PLUGS FOR LOCATING MTG. FEET (PROTRUDE OUTWARD)



BOTTOM VIEW

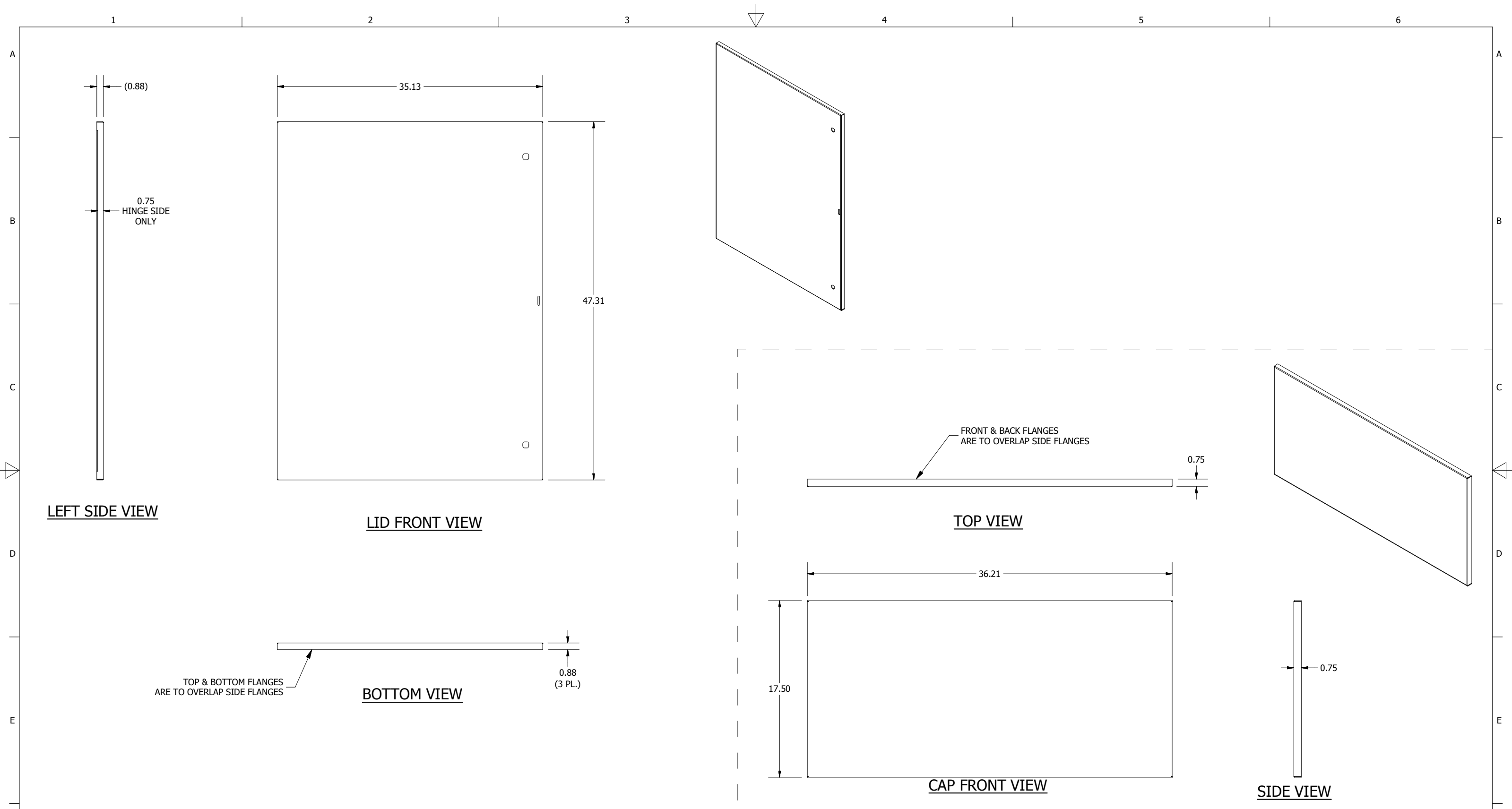
DIMENSIONS ARE IN INCHES (MM). TOLERANCES UNLESS OTHERWISE SPECIFIED ARE AS FOLLOWS:
 .X = ±.05 (1.6)
 .XX = ±.031 (.8)
 .XXX = ±.016 (.25)
 Ø = ±.005
 ANGLE TOL ±1'


WIEGMANN
 FREEBURG, ILLINOIS, USA

-NOTICE- THIS DRAWING IS THE PROPERTY OF WIEGMANN, A DIVISION OF HUBBELL INCORPORATED. IT IS LOANED TO YOU AND MUST NOT BE USED IN ANY WAY DETRIMENTAL TO THE INTEREST OF WIEGMANN.

PART NUMBER: RHC483616BLR	MATERIAL: SEE NOTE	SCALE: NONE	CHK'D DATE: 7/7/2014
DESCRIPTION: RHC, BLR, MEDIUM, CS, 48X36X16		DRAWN BY: PS	CREATED ON: 7/7/2014
		CHK'D BY: VR	DWG. NO. HWDRHC483616_3.1
		REV. A	
		SHEET 5 OF 9	

SHEET 5 OF 9	
--------------	--



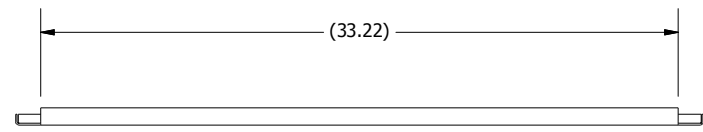
DIMENSIONS ARE IN INCHES (MM). TOLERANCES UNLESS OTHERWISE SPECIFIED ARE AS FOLLOWS:
 .X = ±.06 (1.6)
 .XX = ±.031 (.8)
 .XXX = ±.016 (.25)
 Ø = ±.005
 ANGLE TOL ± 1'



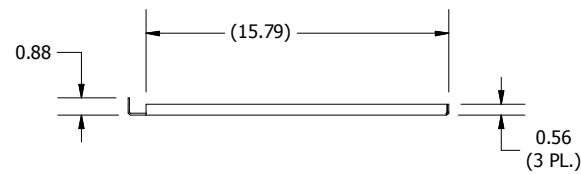
WIEGMANN
 FREEBURG, ILLINOIS, USA

—NOTICE— THIS DRAWING IS THE PROPERTY OF WIEGMANN, A DIVISION OF HUBBELL INCORPORATED. IT IS LOANED TO YOU AND MUST NOT BE USED IN ANY WAY DETRIMENTAL TO THE INTEREST OF WIEGMANN.

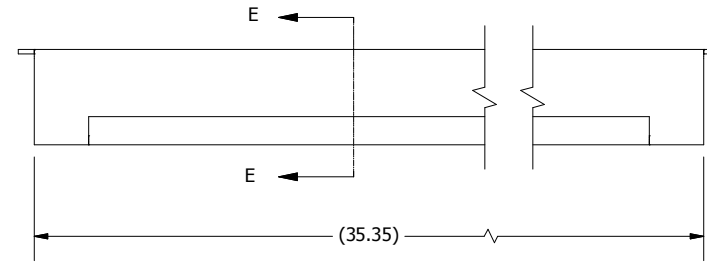
PART NUMBER: RHC4836LID	MATERIAL: SEE NOTE	SCALE: NONE	CHK'D DATE: 7/7/2014
DESCRIPTION: RHC, LID, CS, NEMA 3R, 48X36		DRAWN BY: PS	CREATED ON: 7/7/2014
		CHK'D BY: VR	DWG. NO. HWDRHC483616_3.2
		SHEET 6 OF 9	REV. A



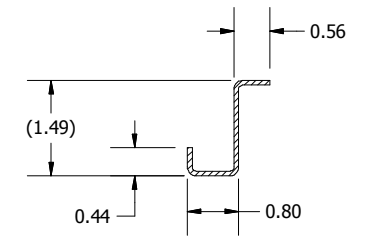
BOTTOM ENDWALL FRONT VIEW



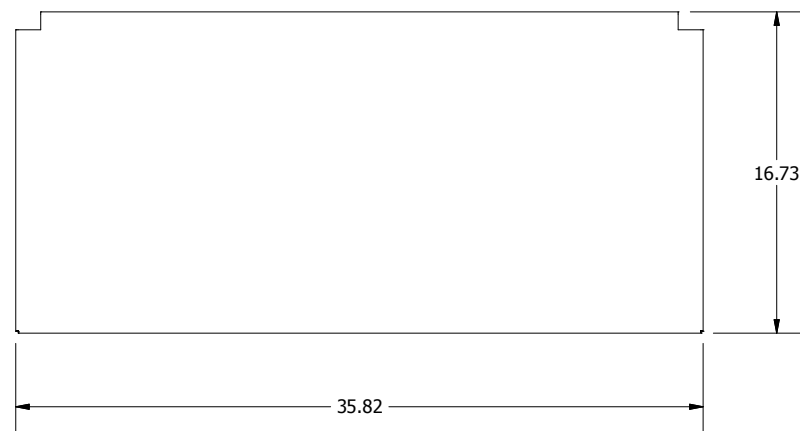
SIDE VIEW



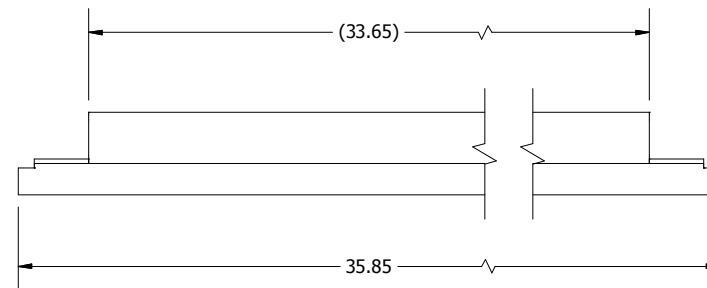
TOP ENDWALL FRONT VIEW



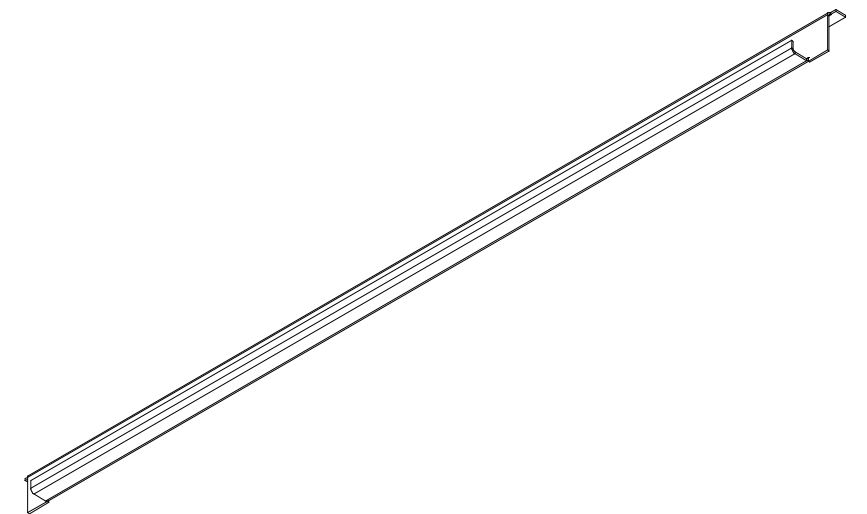
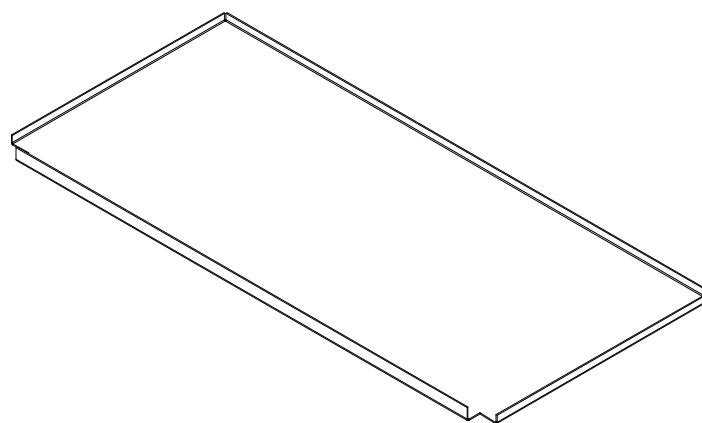
SECTION E-E



BOTTOM VIEW



BOTTOM VIEW



DIMENSIONS ARE IN INCHES (MM). TOLERANCES UNLESS OTHERWISE SPECIFIED ARE AS FOLLOWS:
 .X = ±.06 (1.6)
 .XX = ±.031 (.8)
 .XXX = ±.016 (.25)
 Ø = ±.005
 ANGLE TOL ±1'



WIEGMANN
 FREEBURG, ILLINOIS, USA

-NOTICE- THIS DRAWING IS THE PROPERTY OF WIEGMANN, A DIVISION OF HUBBELL INCORPORATED. IT IS LOANED TO YOU AND MUST NOT BE USED IN ANY WAY DETRIMENTAL TO THE INTEREST OF WIEGMANN.

PART NUMBER:
RHC3616BTM

MATERIAL:
SEE NOTE

SCALE: NONE
 DRAWN BY: PS
 CHK'D BY: VR

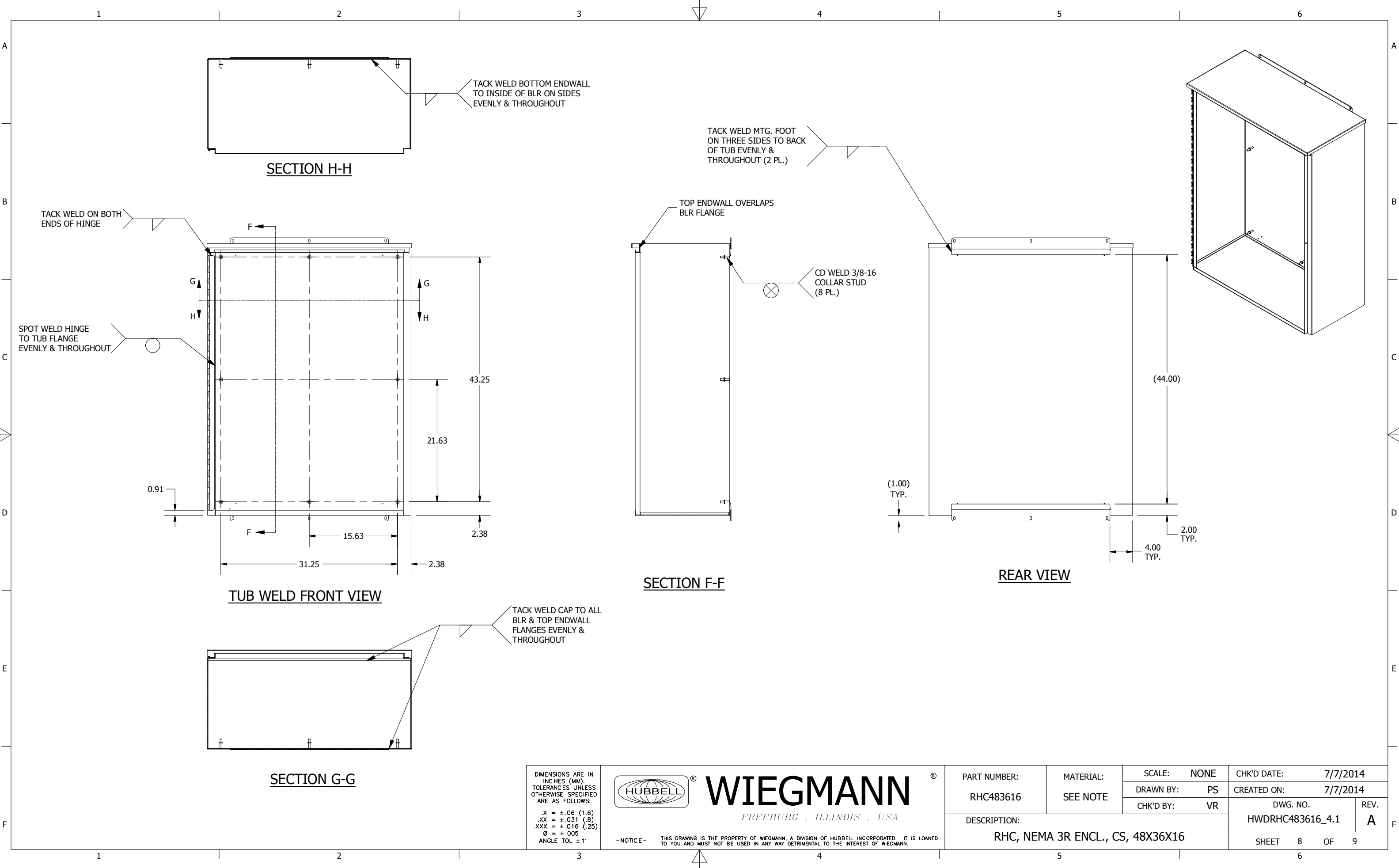
CHK'D DATE: 7/7/2014
 CREATED ON: 7/7/2014

DESCRIPTION:
RHC, BTM, CS, NEMA 3R, 36X16

DWG. NO.
HWD RHC483616_3.3

REV.
A

SHEET 7 OF 9



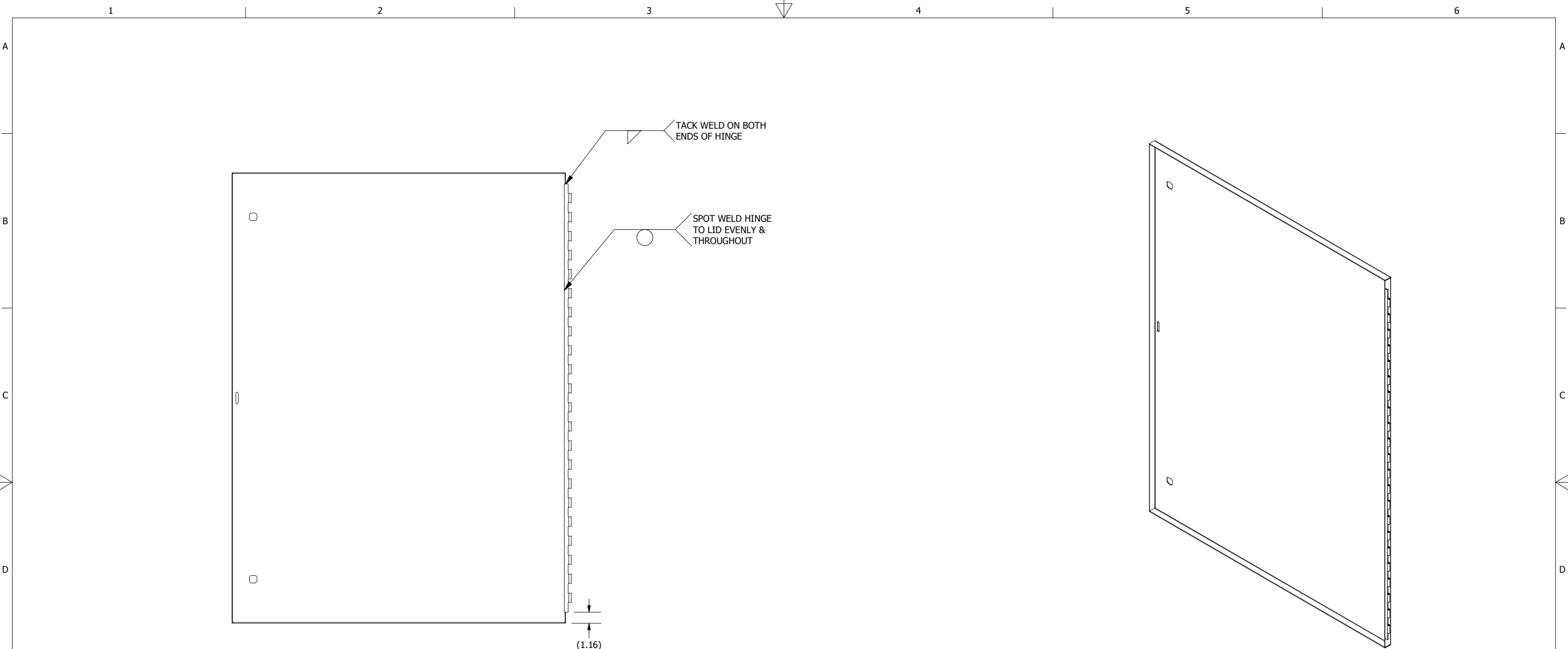
DIMENSIONS ARE IN INCHES (MM). TOLERANCES UNLESS OTHERWISE SPECIFIED ARE AS FOLLOWS:
 .X = ±.06 (1.6)
 .XX = ±.031 (.8)
 .XXX = ±.016 (.25)
 Ø = ±.005
 ANGLE TOL ±1°



WIEGMANN
 FREEBURG, ILLINOIS, USA

—NOTICE— THIS DRAWING IS THE PROPERTY OF WIEGMANN, A DIVISION OF HUBBELL INCORPORATED. IT IS LOANED TO YOU AND MUST NOT BE USED IN ANY WAY DETRIMENTAL TO THE INTEREST OF WIEGMANN.


PART NUMBER: RHC483616	MATERIAL: SEE NOTE	SCALE: NONE	CHK'D DATE: 7/7/2014
		DRAWN BY: PS	CREATED ON: 7/7/2014
DESCRIPTION: RHC, NEMA 3R ENCL., CS, 48X36X16		CHK'D BY: VR	DWG. NO. HWD RHC483616_4.1
		REV. A	
		SHEET 8 OF 9	



LID WELD INSIDE VIEW

(1.16)

DIMENSIONS ARE IN INCHES (MM). TOLERANCES UNLESS OTHERWISE SPECIFIED ARE AS FOLLOWS:
 .X = ±.06 (1.6)
 .XX = ±.031 (.8)
 .XXX = ±.016 (.25)
 Ø = ±.005
 ANGLE TOL ± 1'


WIEGMANN
 FREEBURG , ILLINOIS , USA

-NOTICE- THIS DRAWING IS THE PROPERTY OF WIEGMANN, A DIVISION OF HUBBELL INCORPORATED. IT IS LOANED TO YOU AND MUST NOT BE USED IN ANY WAY DETRIMENTAL TO THE INTEREST OF WIEGMANN.

PART NUMBER:
RHC483616

DESCRIPTION:
RHC, NEMA 3R ENCL., CS, 48X36X16

MATERIAL:
SEE NOTE

SCALE: NONE
 DRAWN BY: PS
 CHK'D BY: VR

CHK'D DATE: 7/7/2014
 CREATED ON: 7/7/2014

DWG. NO. HWD RHC483616_4.2	REV. A
SHEET 9 OF 9	