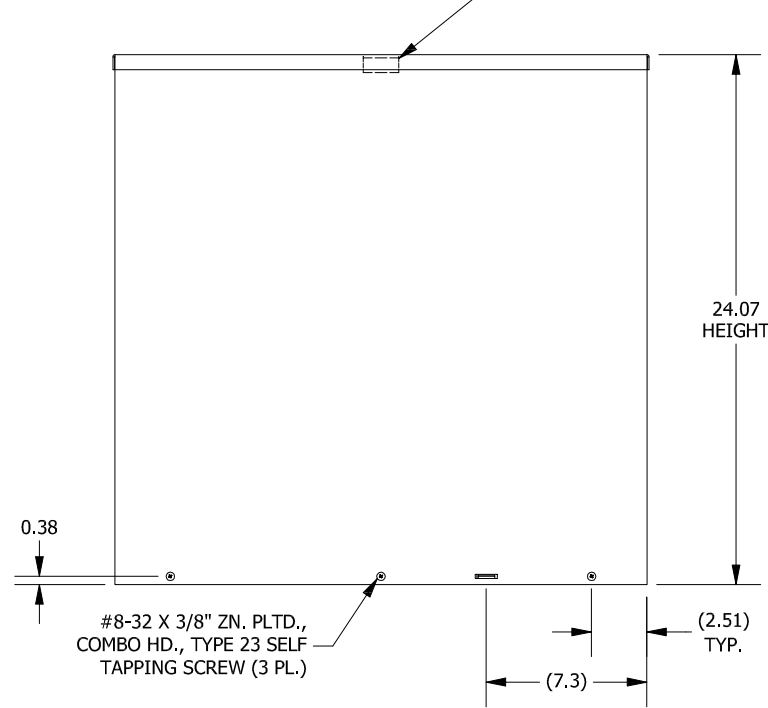
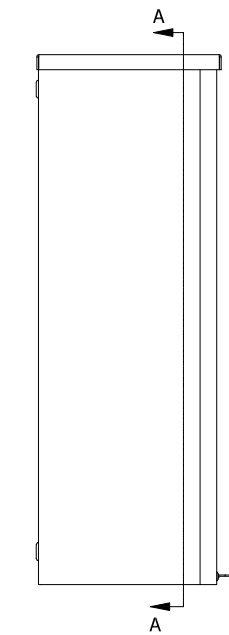


TOP VIEW

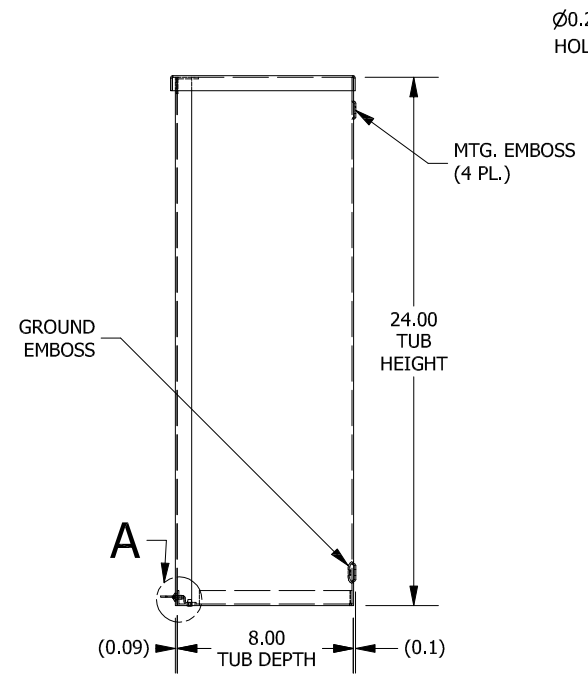
LID BRACKET SPOT WELDED TO CAP



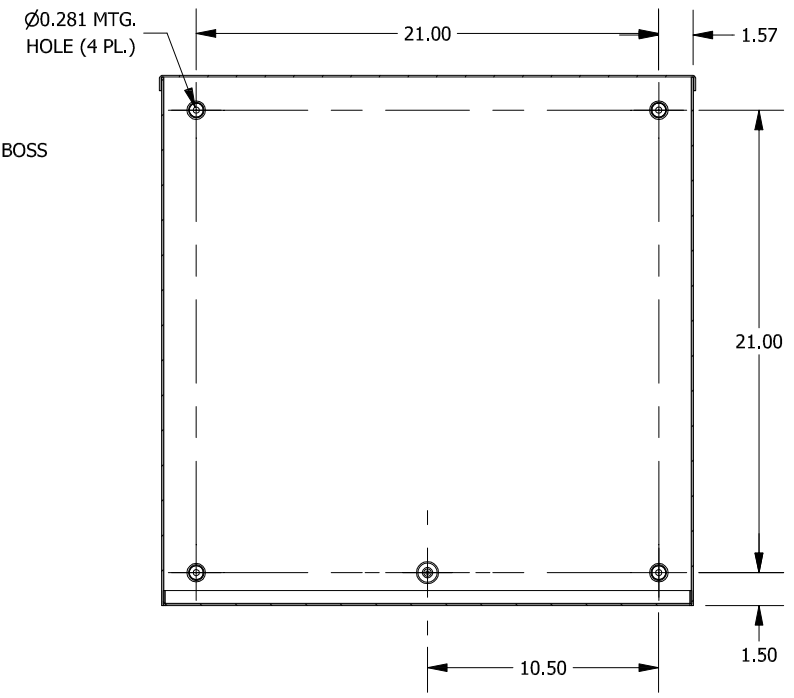
FRONT VIEW



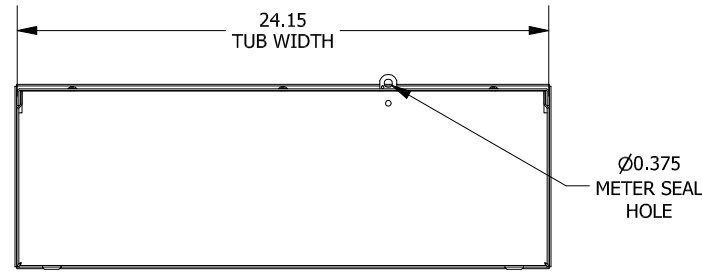
LEFT SIDE VIEW



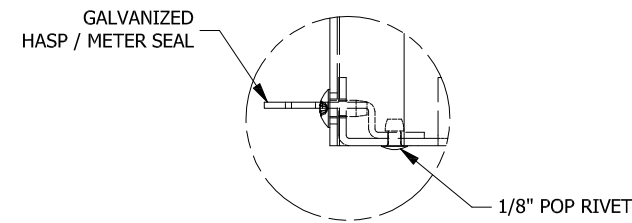
RIGHT SIDE VIEW



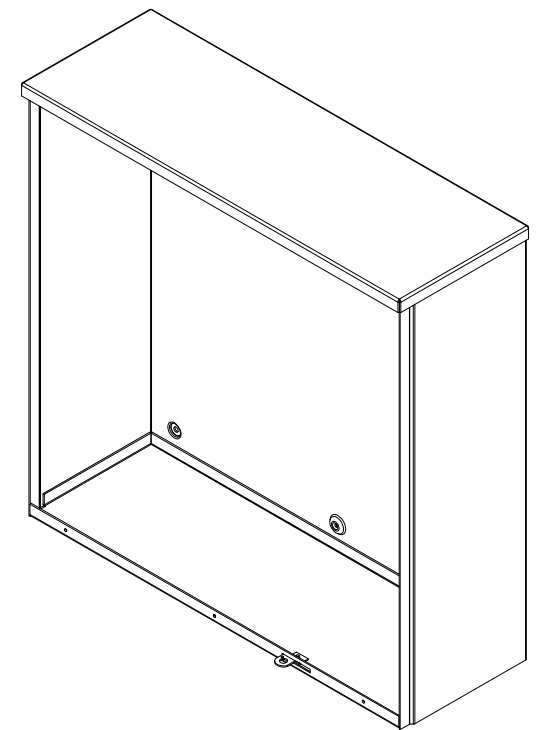
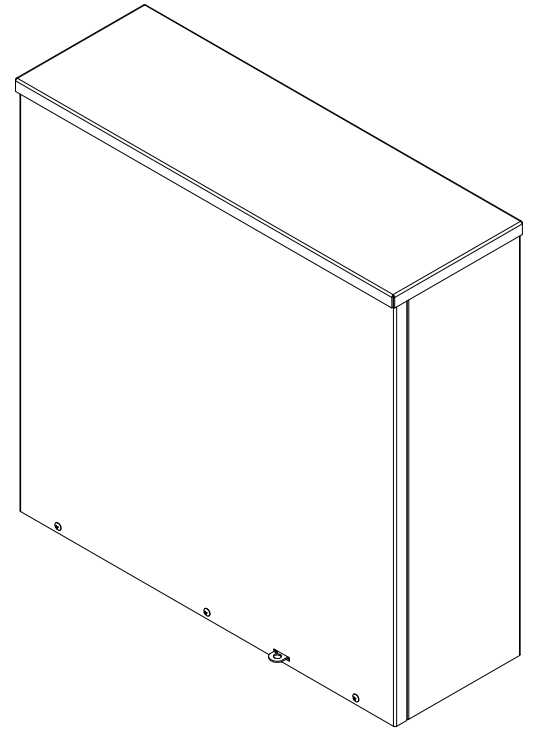
**SECTION A-A
(INSIDE BACK OF ENCL.)**



BOTTOM VIEW



**DETAIL A
(METER SEAL DETAIL)**



PART#: RSC242408
(DATA SUBJECT TO CHANGE WITHOUT NOTICE)

THIS DRAWING IS PROPERTY OF HUBBELL INC. WIEGMANN
ALL INFORMATION IS PROPRIETARY AND NOT TO BE DUPLICATED