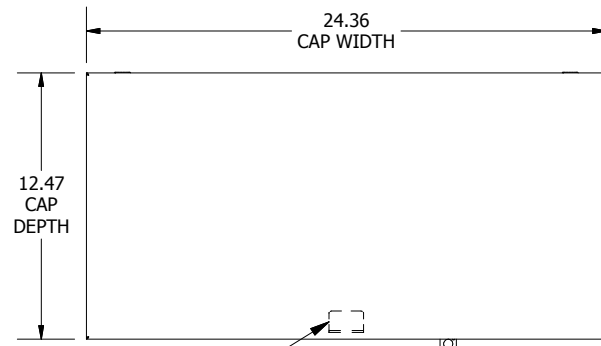


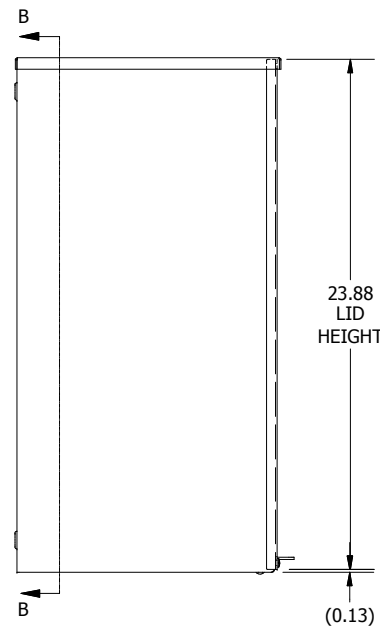
# PART#: RSC242412NKSS (DATA SUBJECT TO CHANGE WITHOUT NOTICE)

THIS DRAWING IS PROPERTY OF HUBBELL INC. WIEGMANN  
ALL INFORMATION IS PROPRIETARY AND NOT TO BE DUPLICATED

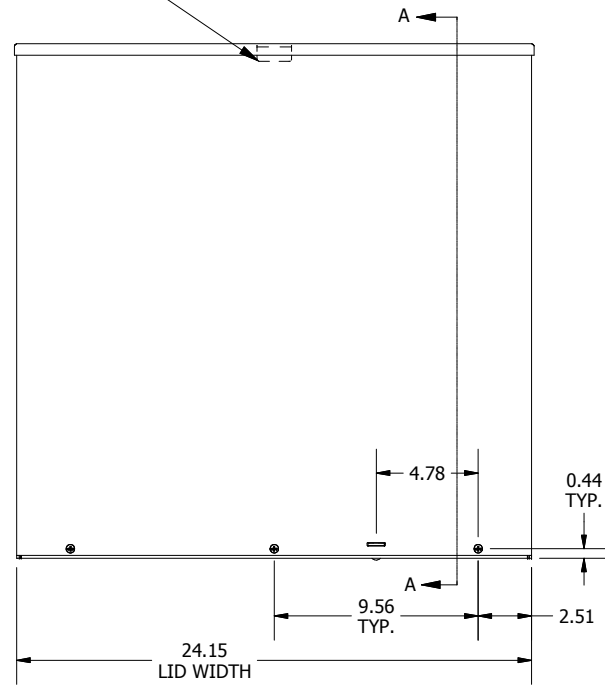


**TOP VIEW**

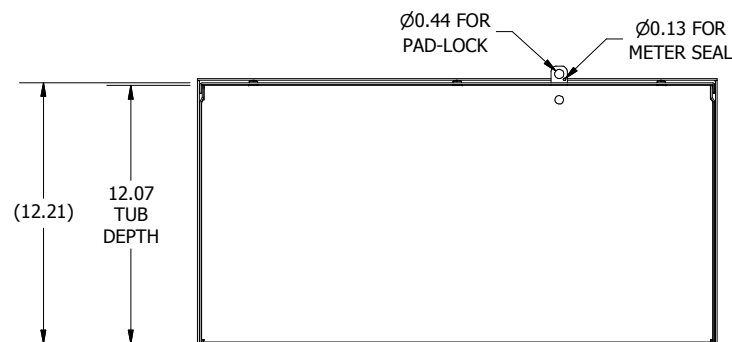
LID BRACKET  
WELDED TO CAP



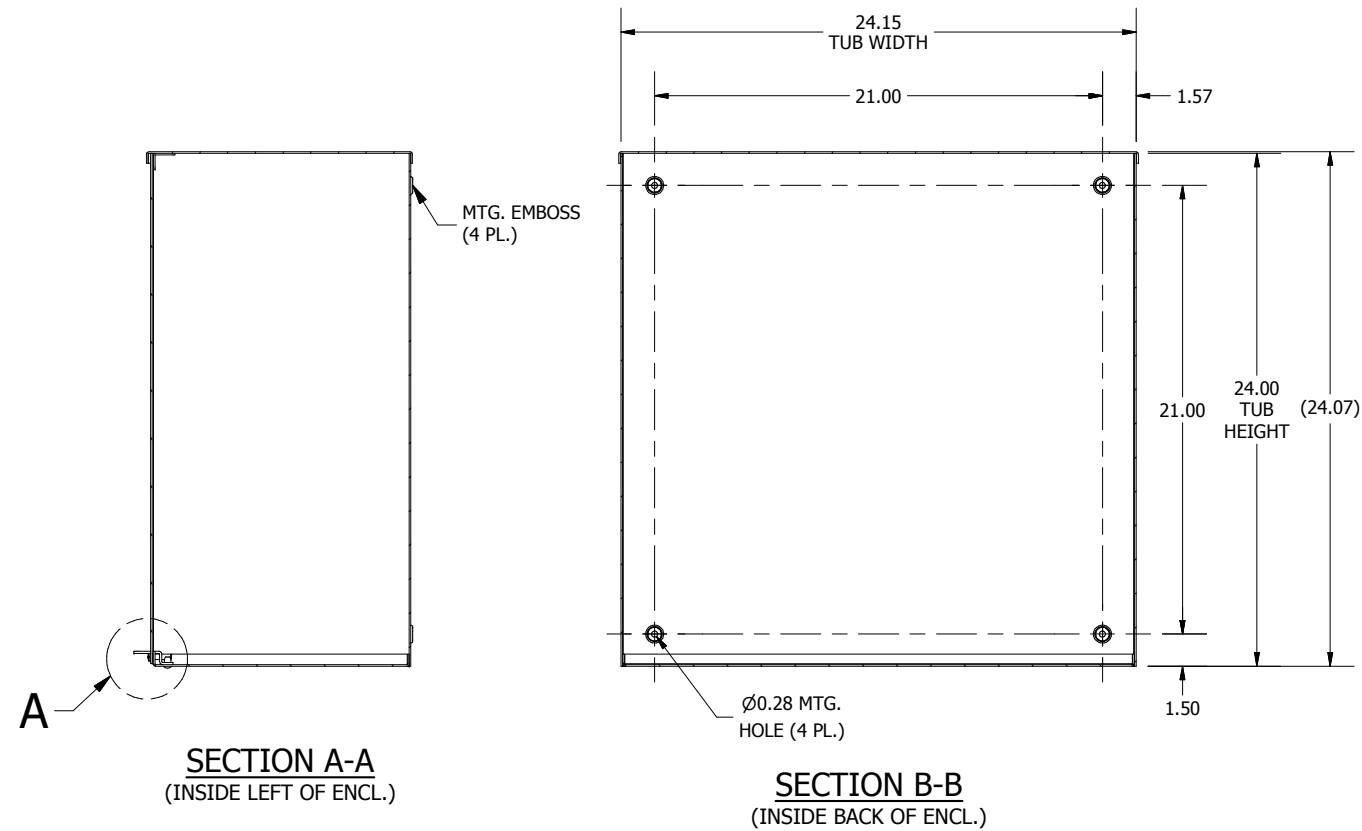
**LEFT SIDE VIEW**



**FRONT VIEW**

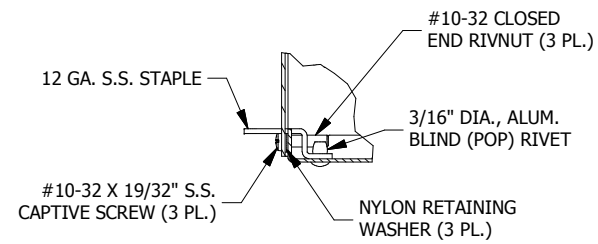


**BOTTOM VIEW**

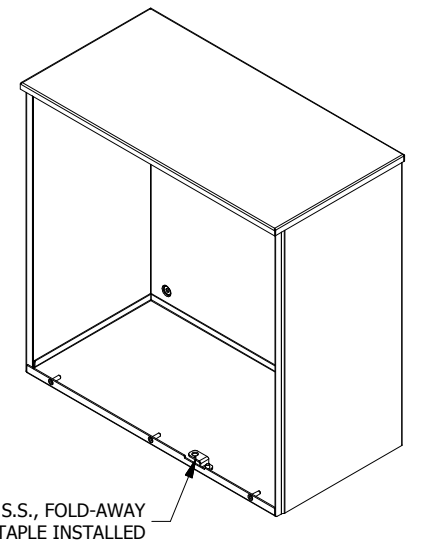
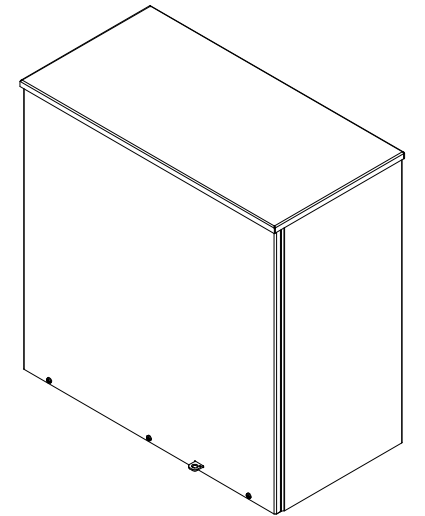


**SECTION A-A**  
(INSIDE LEFT OF ENCL.)

**SECTION B-B**  
(INSIDE BACK OF ENCL.)



**DETAIL A**  
(STAPLE & SCREW DETAIL)



12 GA. S.S., FOLD-AWAY  
STAPLE INSTALLED