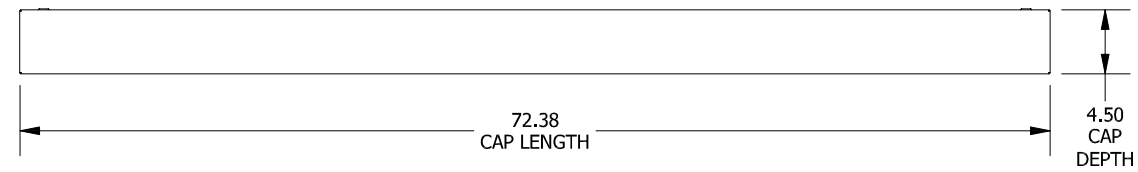
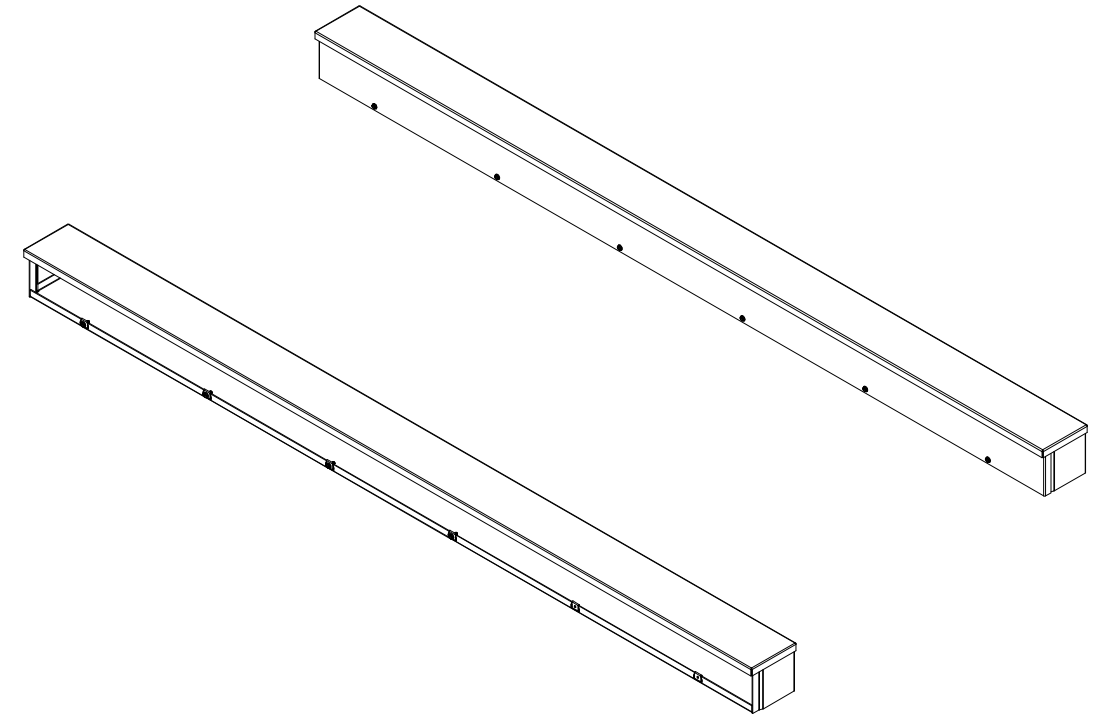
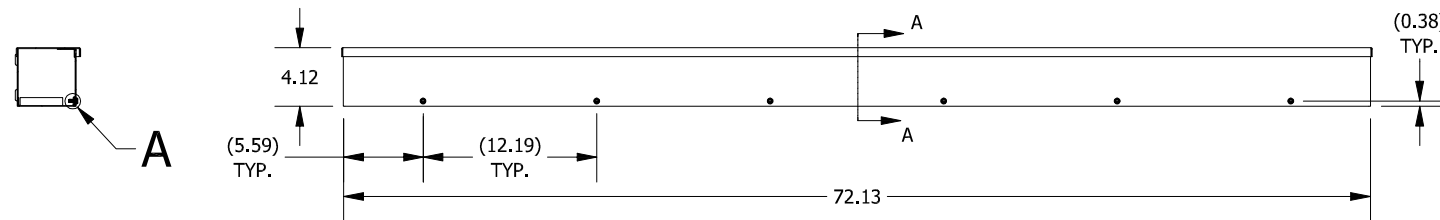


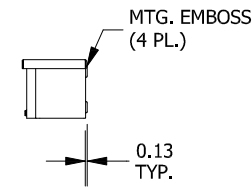
DETAIL A (6 PL.)
(LID ATTACHMENT DETAIL)



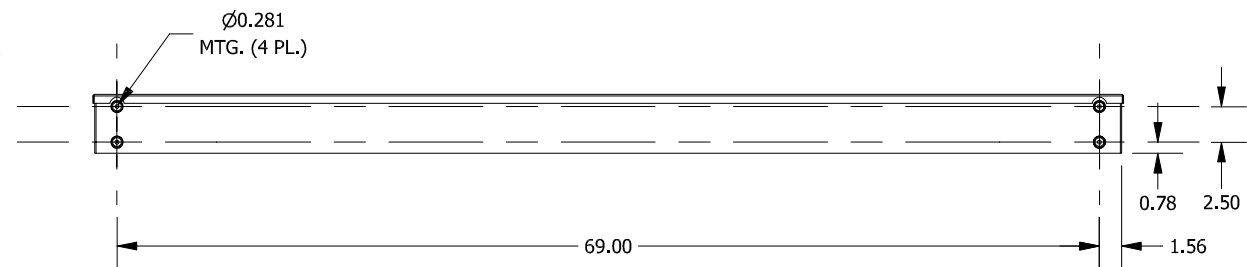
TOP VIEW



FRONT VIEW

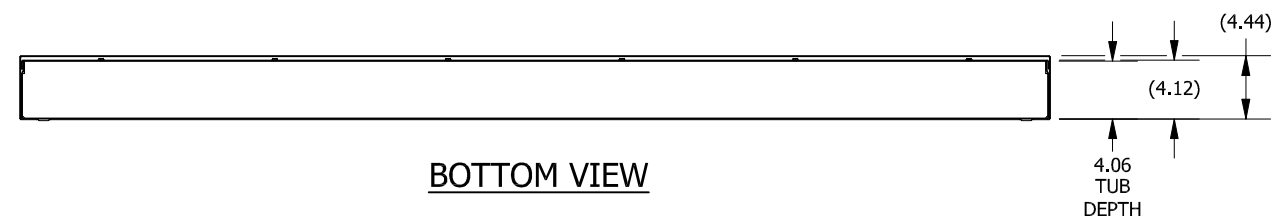


RIGHT SIDE VIEW



BACK VIEW

SECTION A-A
(INSIDE RIGHT OF ENCL.)



BOTTOM VIEW

PART#: RSCG040472NK
(DATA SUBJECT TO CHANGE WITHOUT NOTICE)

THIS DRAWING IS PROPERTY OF HUBBELL INC. WIEGMANN
ALL INFORMATION IS PROPRIETARY AND NOT TO BE DUPLICATED