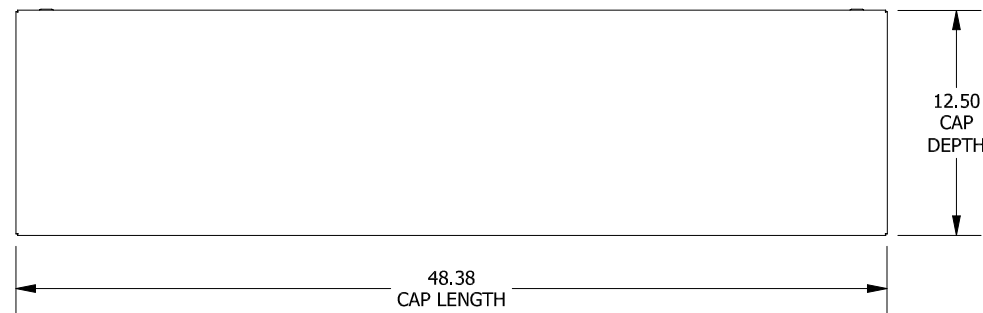
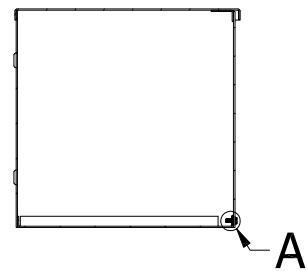
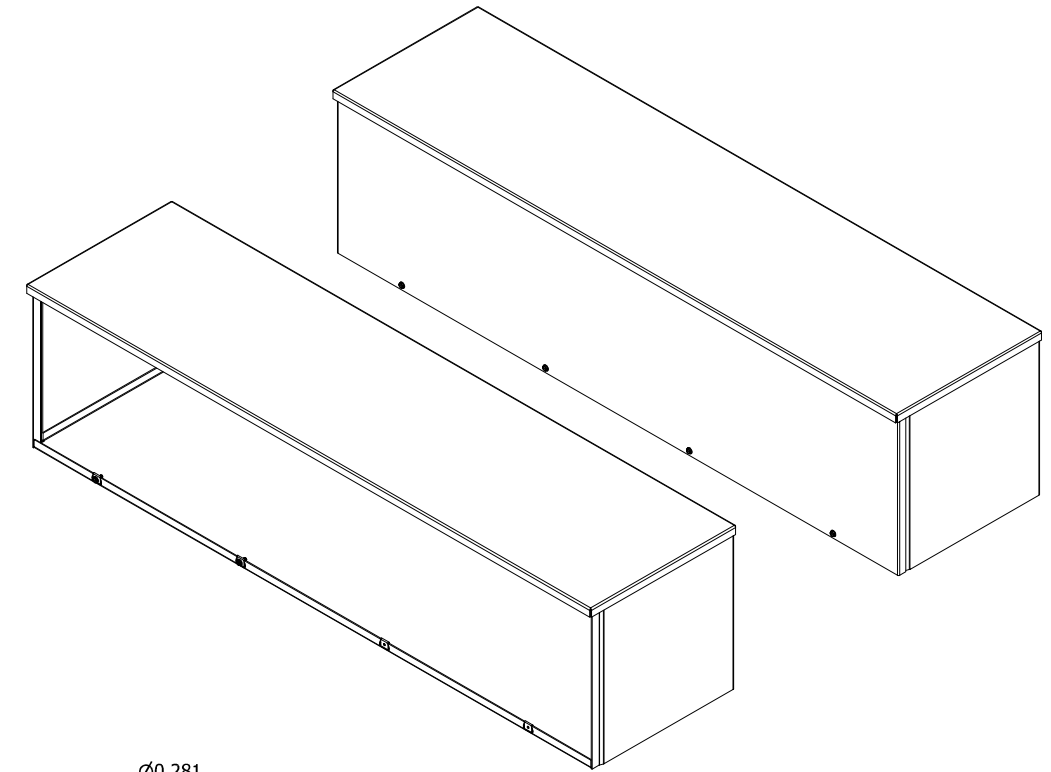


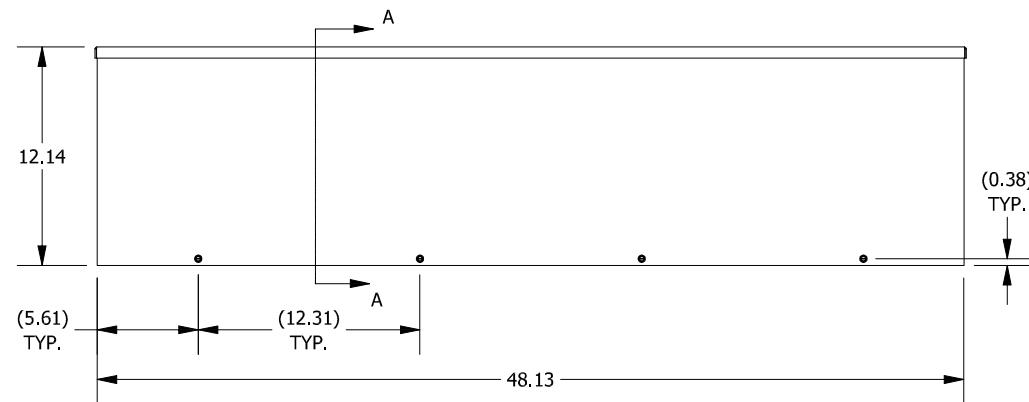
DETAIL A (4 PL.)
(LID ATTACHMENT DETAIL)



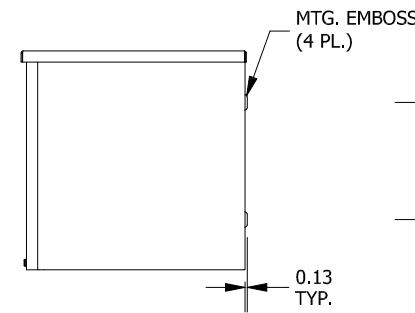
TOP VIEW



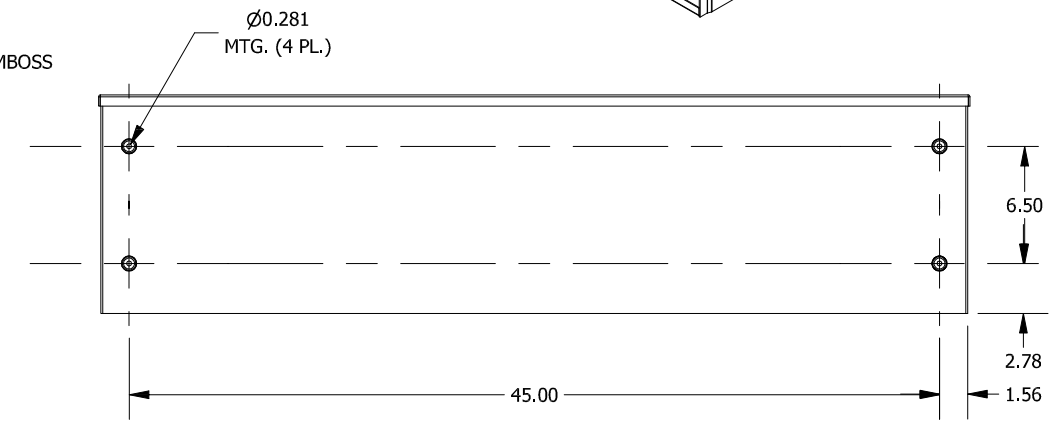
SECTION A-A
(INSIDE RIGHT OF ENCL.)



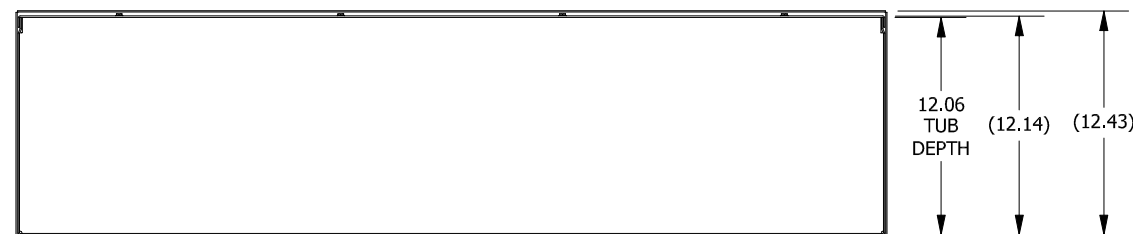
FRONT VIEW



RIGHT SIDE VIEW



BACK VIEW



BOTTOM VIEW

PART#: RSCG121248NK
(DATA SUBJECT TO CHANGE WITHOUT NOTICE)

THIS DRAWING IS PROPERTY OF HUBBELL INC. WIEGMANN
ALL INFORMATION IS PROPRIETARY AND NOT TO BE DUPLICATED