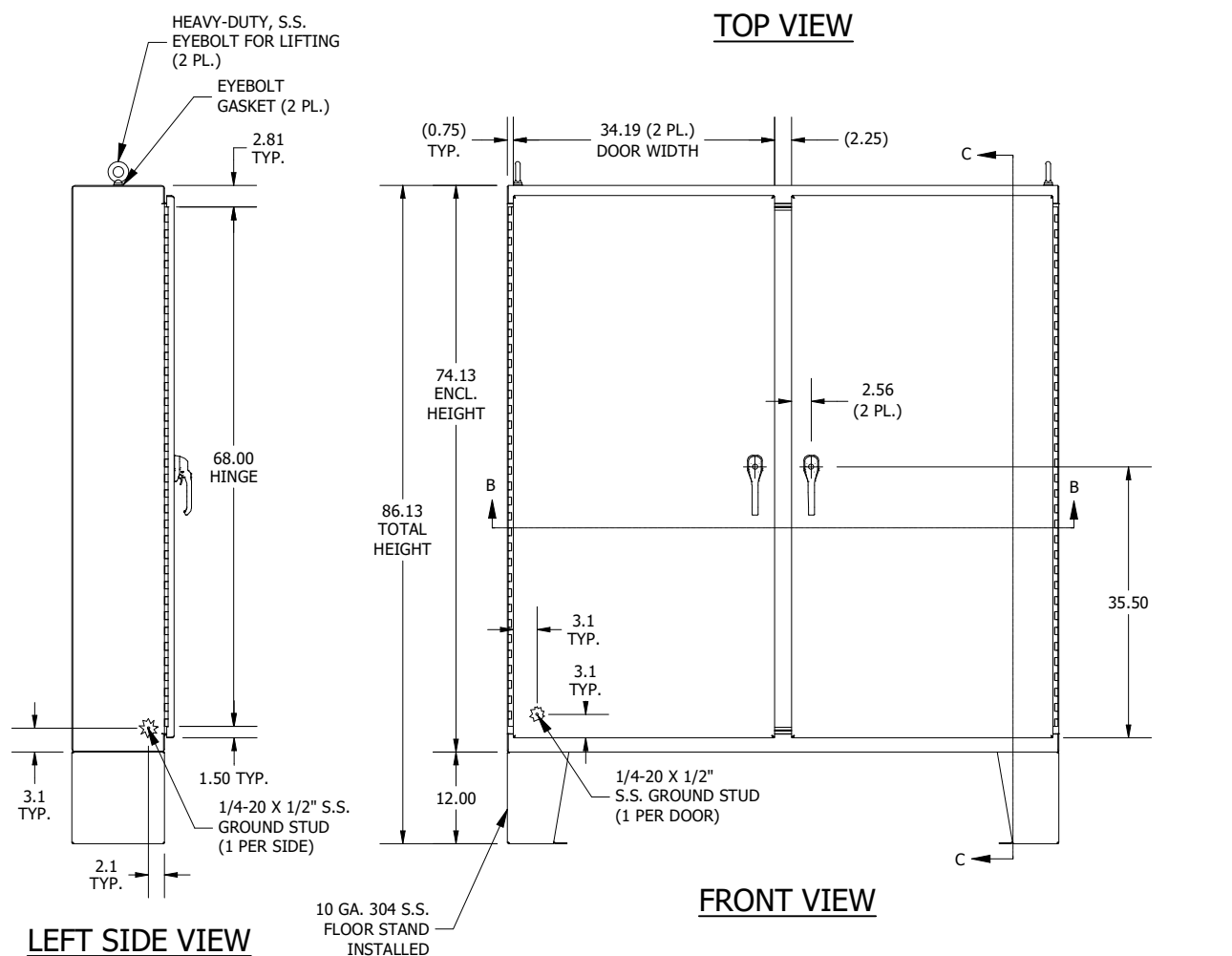
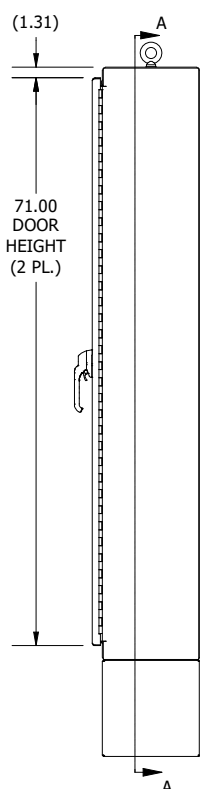


TOP VIEW

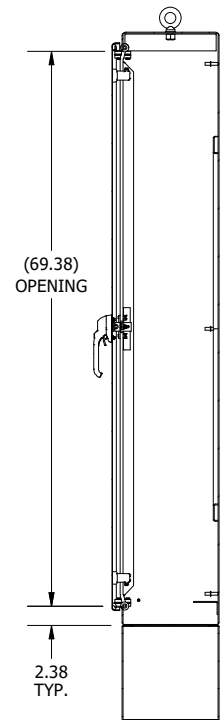


FRONT VIEW

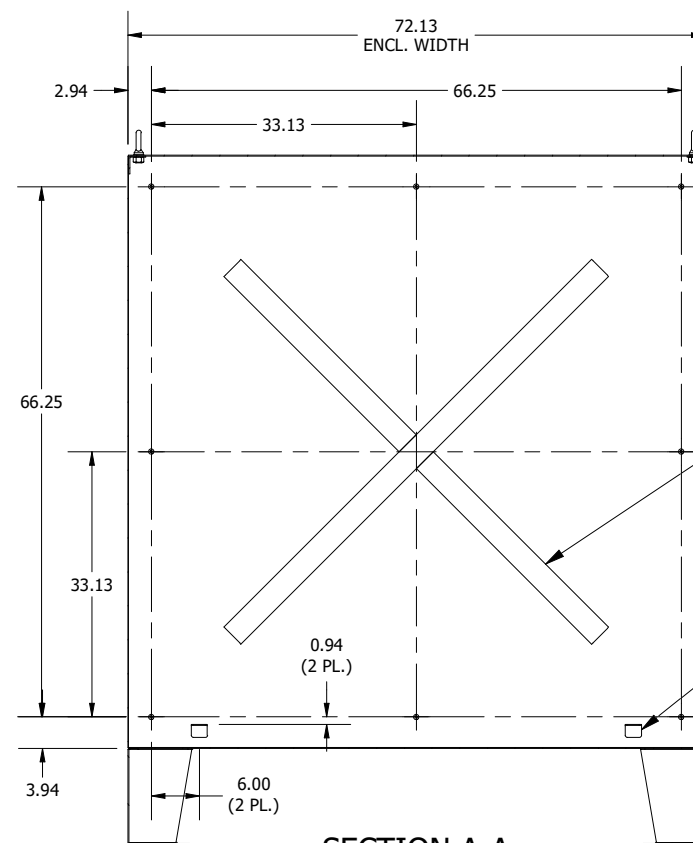
LEFT SIDE VIEW



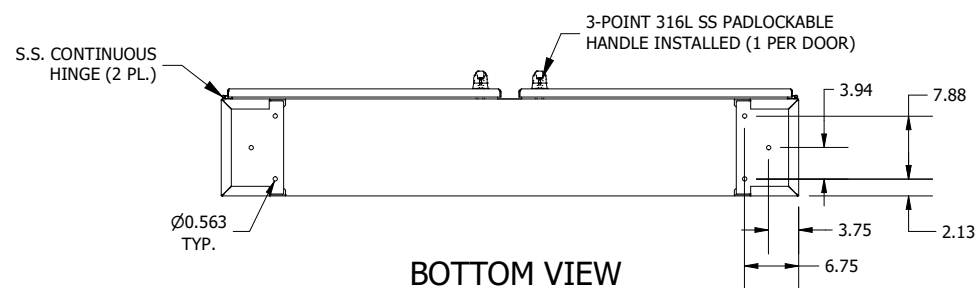
RIGHT SIDE VIEW



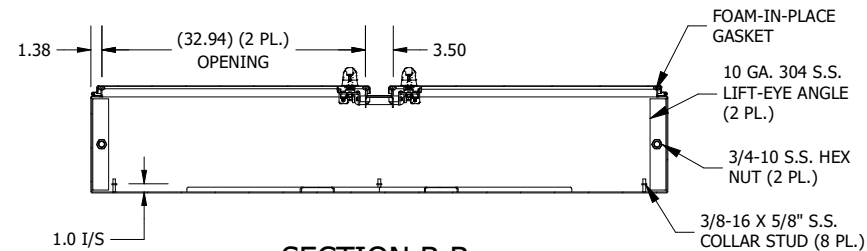
**SECTION C-C
(INSIDE LEFT OF ENCL.)**



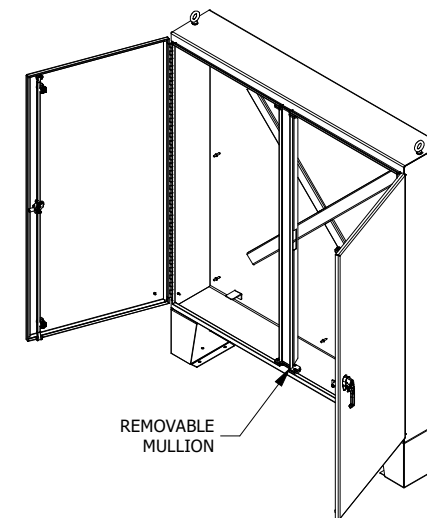
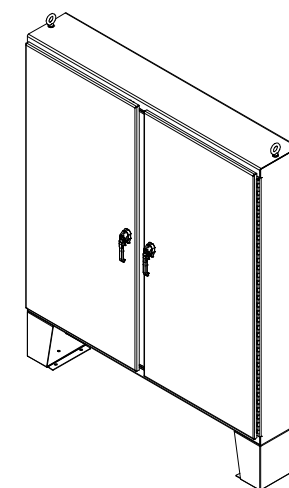
**SECTION A-A
(INSIDE LEFT OF ENCL.)**



BOTTOM VIEW



**SECTION B-B
(INSIDE TOP OF ENCL.)**



PART #:SSN4D7472123PT
(DATA SUBJECT TO CHANGE WITHOUT NOTICE)
THIS DRAWING IS THE PROPERTY OF HUBBELL INC. WIEGMANN
ALL INFORMATION IS PROPRIETARY AND NOT TO BE DUPLICATED