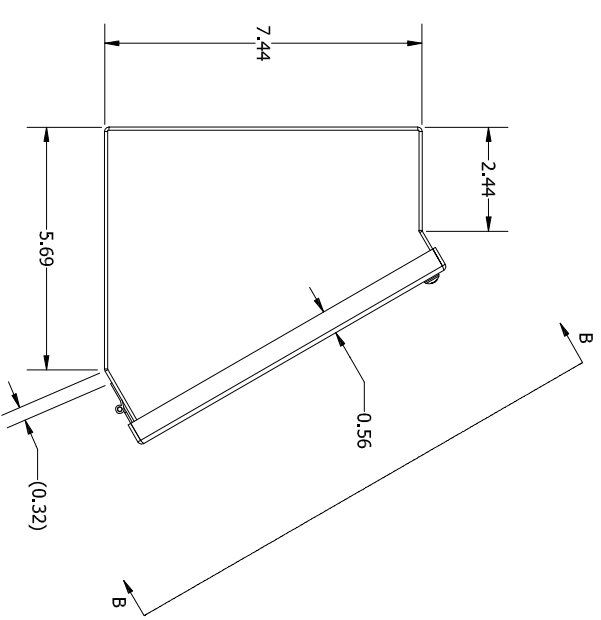
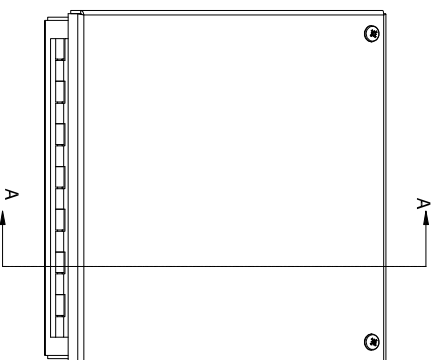


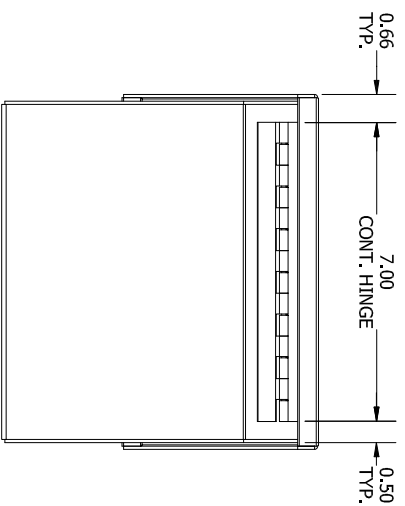
**VIEW B-B  
(LID ASSM. REMOVED)**



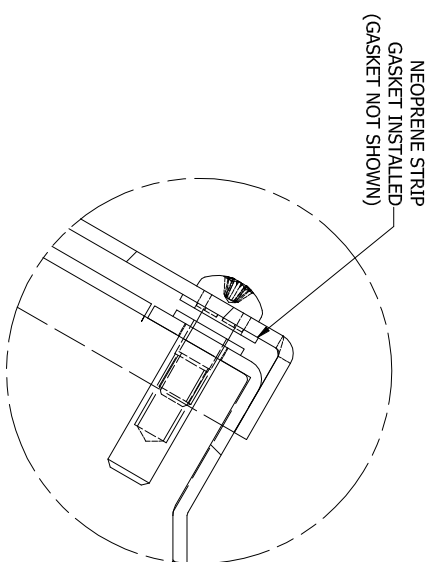
**LEFT SIDE VIEW**



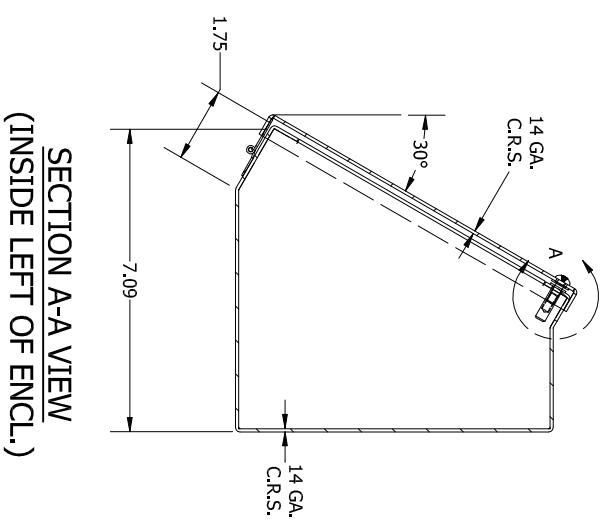
**FRONT VIEW**



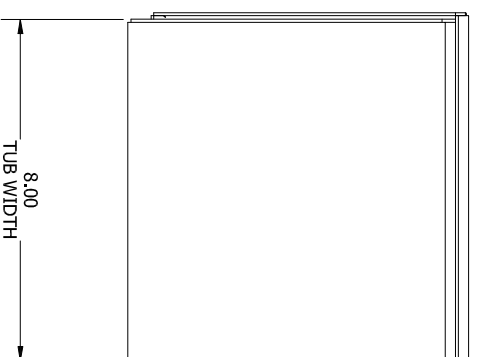
**REAR VIEW**



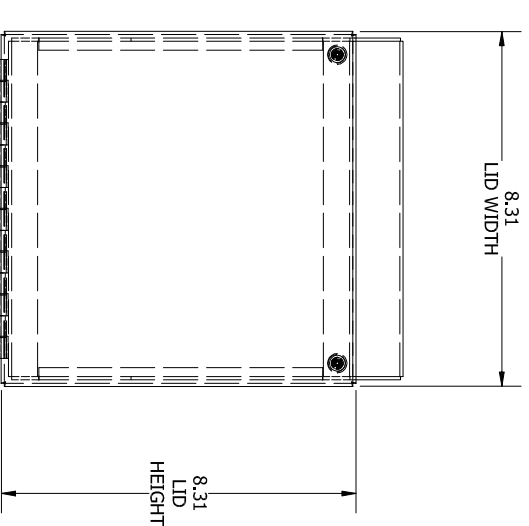
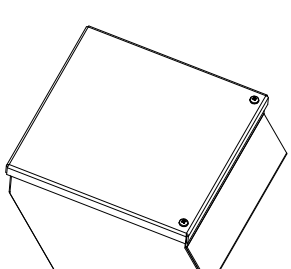
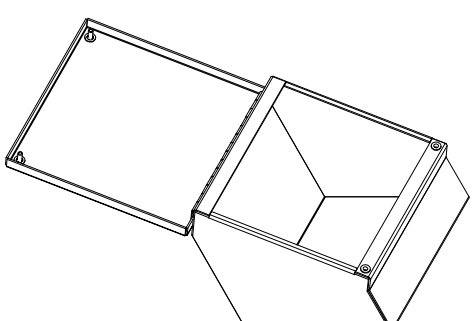
**DETAIL A (2 PL.)  
(LID ATTACHMENT DETAIL)**



**SECTION A-A VIEW  
(INSIDE LEFT OF ENCL.)**



**BOTTOM VIEW**



**SECTION B-B  
(STRAIGHT AHEAD VIEW OF LID)**

PART#: WC08C08  
(DATA SUBJECT TO CHANGE WITHOUT NOTICE)

THIS DRAWING IS PROPERTY OF HUBBELL INC. WIEGMANN  
ALL INFORMATION IS PROPRIETARY AND NOT TO BE DUPLICATED